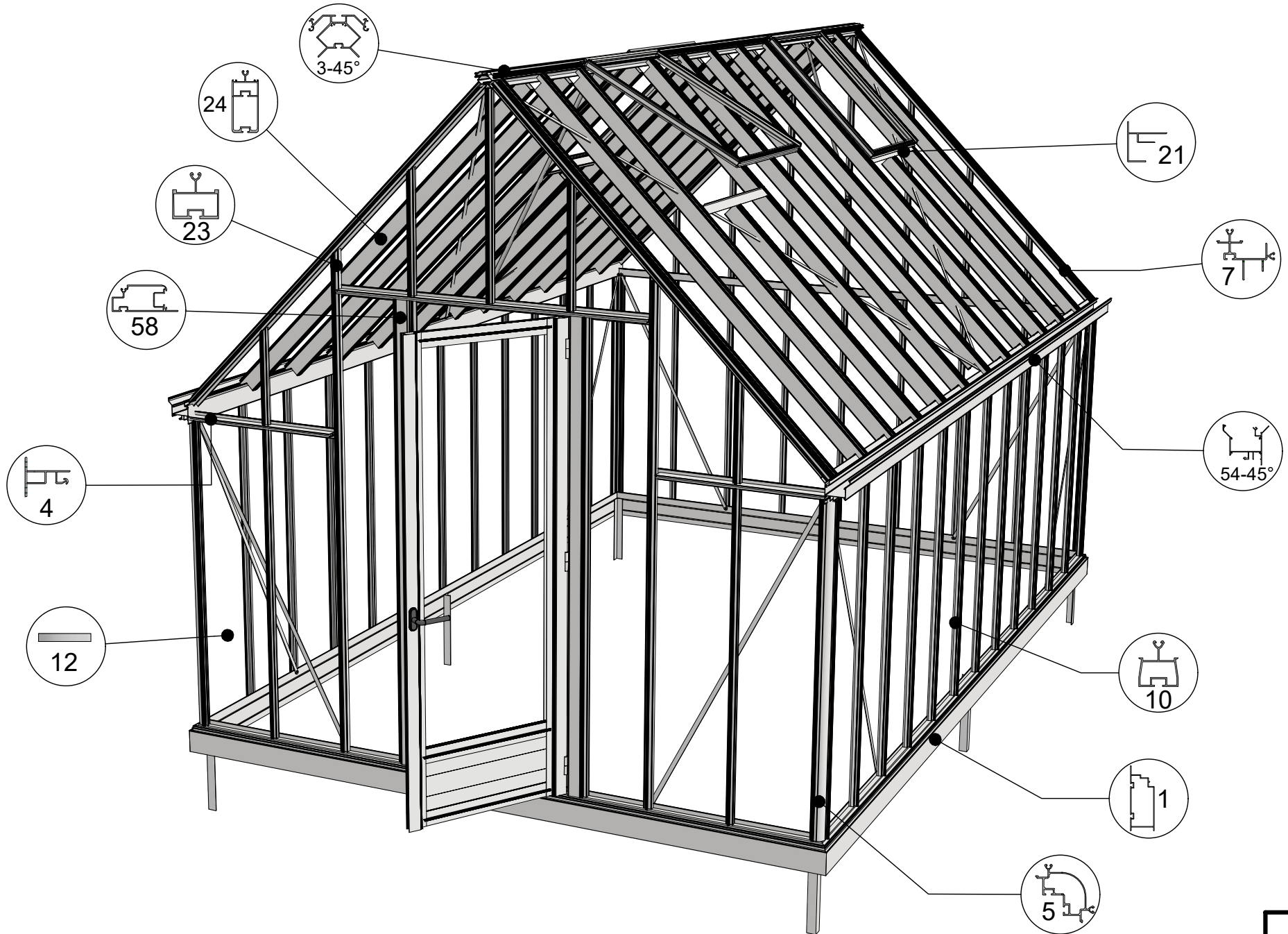


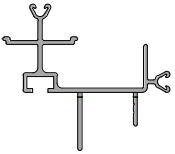
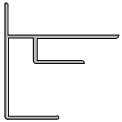
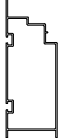
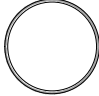
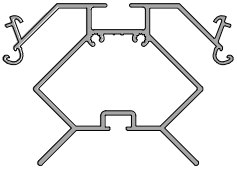


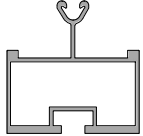
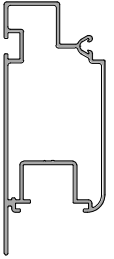
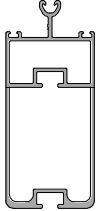
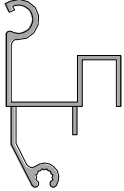
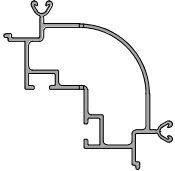
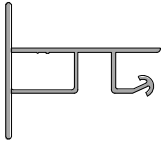
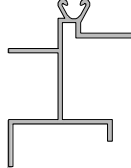
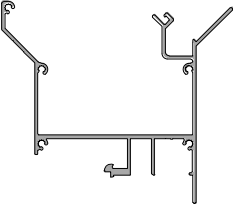

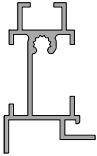
Euro-Rustiq 3,09 special.



14-11-2023



Profile list

Profile list											
-	NR	Profile NR	-	NR	Profile NR	-	NR	Profile NR	-	NR	Profile NR
	7	7151		21	2977		1	17538		40	B 50
	3-45°	15732		27	B 18		12	7070		23	17703
	58	12960		24	10968 U		18	17542			
	5	17548		4	17549		19	17543			
	54-45°	17540		10	17541		20T	28513			

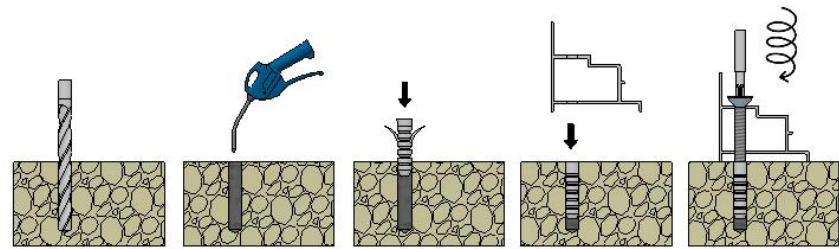
- Attention! Check inside the foundation for more profiles.
- Please fasten screws and nuts hand-tight.


- Achtung! Prüfen sie das fundament für weitere profile.
- Schraube und Mutter bitte handfest festziehen.

- Opgelet! kijk in de fundering voor andere profielen.
- Bout en moer a.u.b. handvast aandraaien.

- Attention! Regarde à l'intérieur du fondation pour plussier profils.
- Serrez les écrous et vis à la main s.v.p.

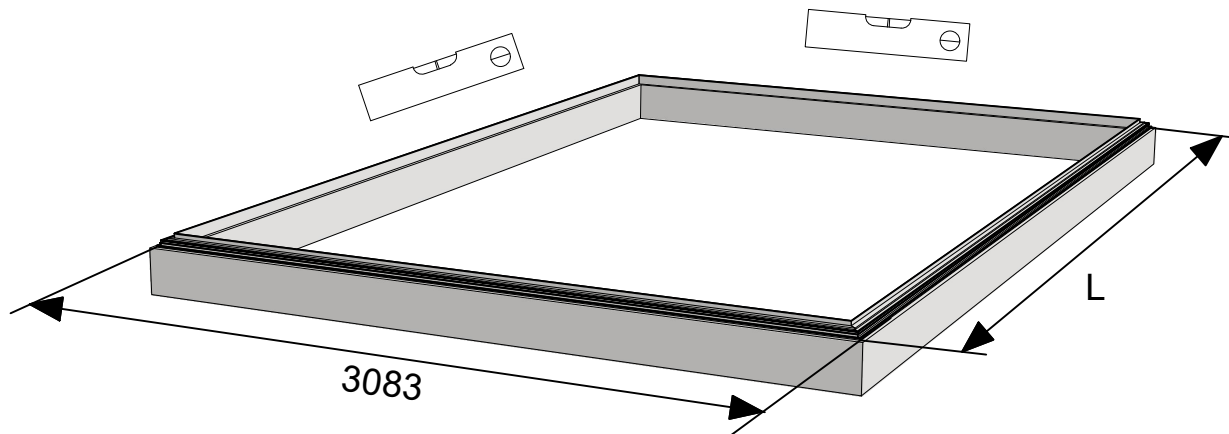
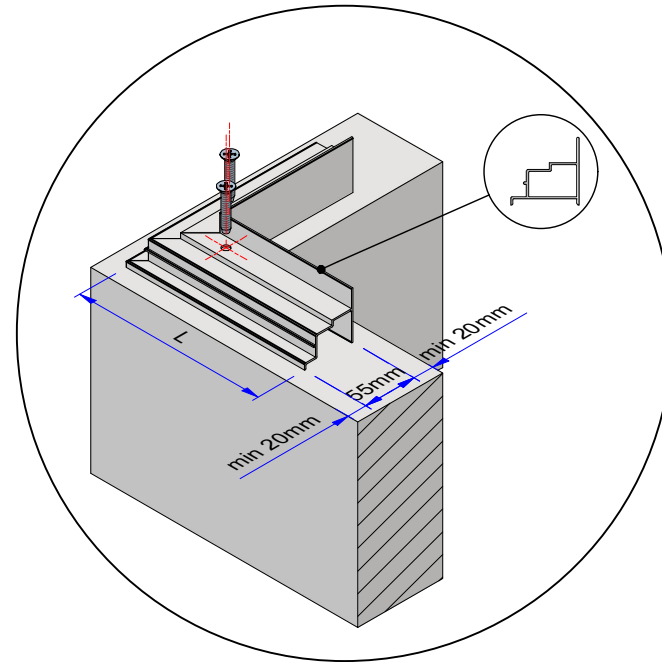
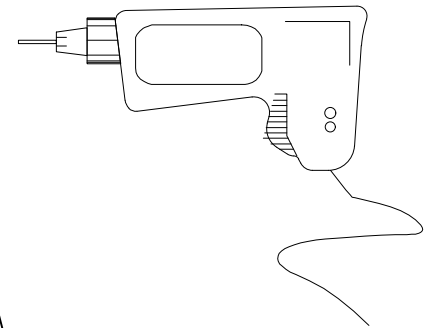
- Observera at en del profiler ligger i sockelprofilen!!
- Dra åt skruven och muttern handfast.




 = 8x40

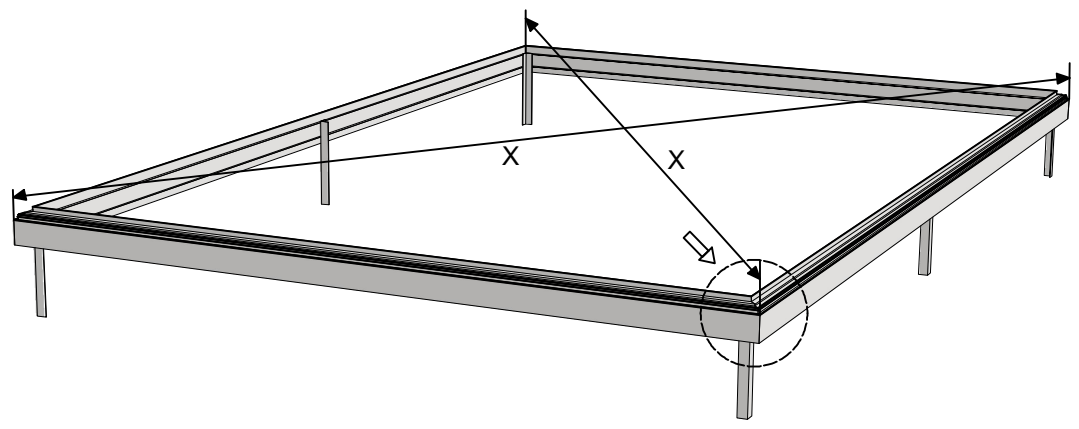
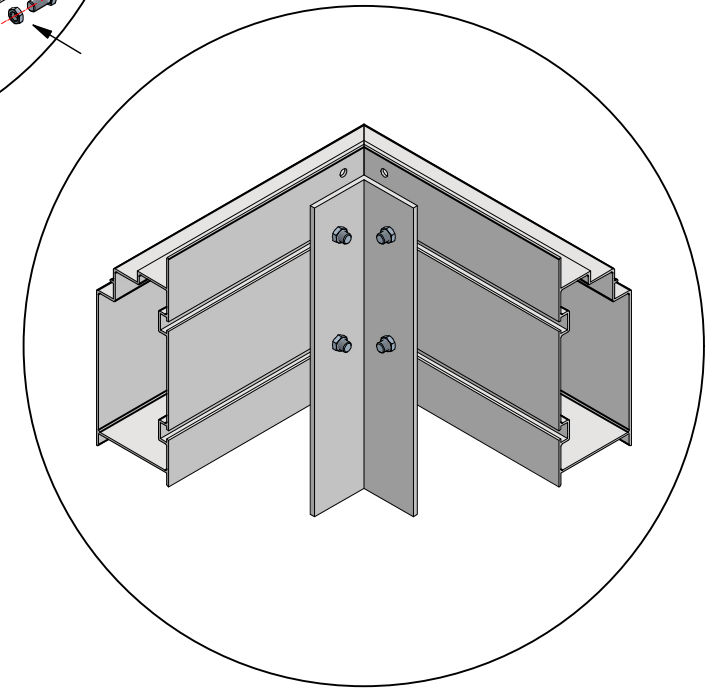
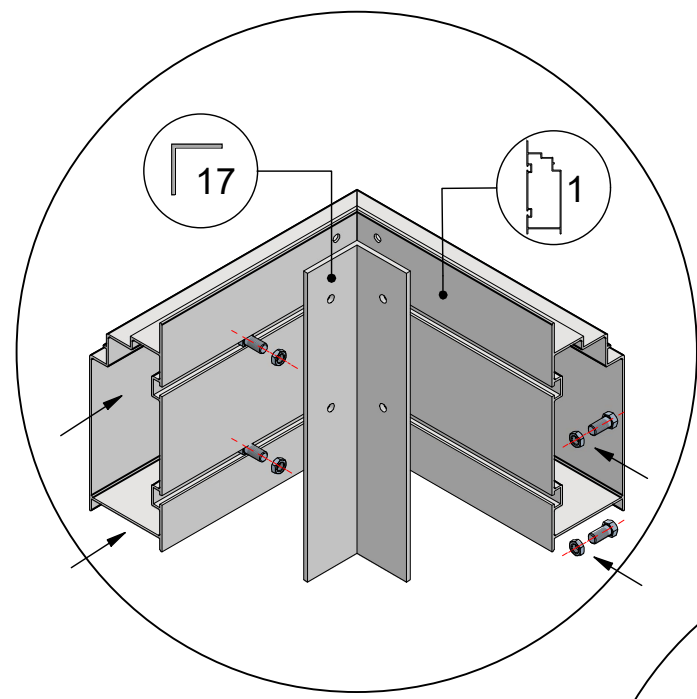
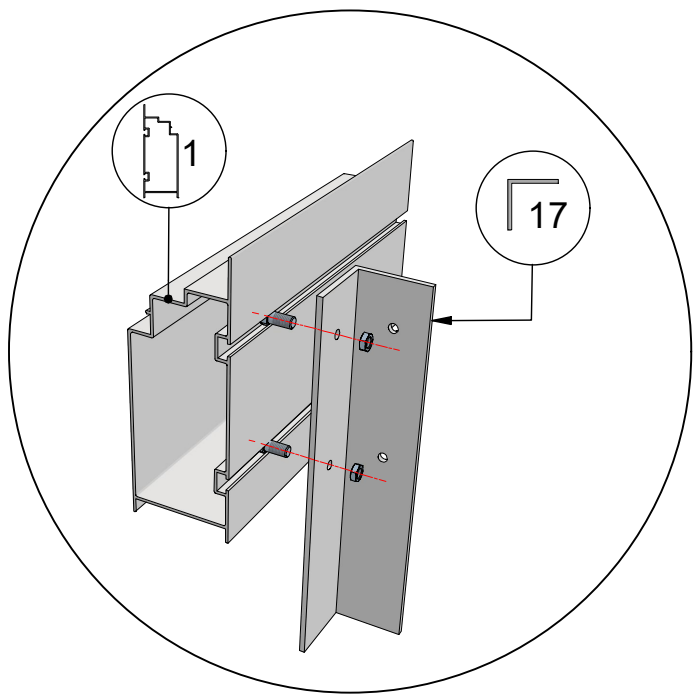
  = 6x120

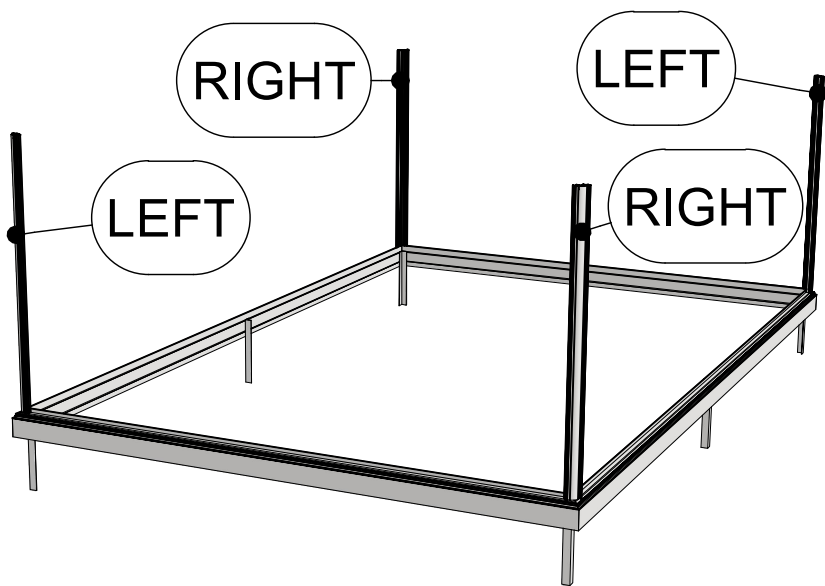
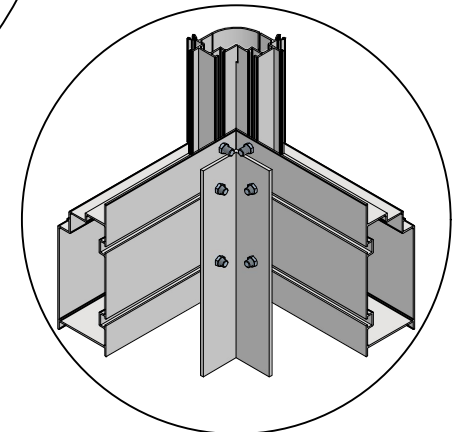
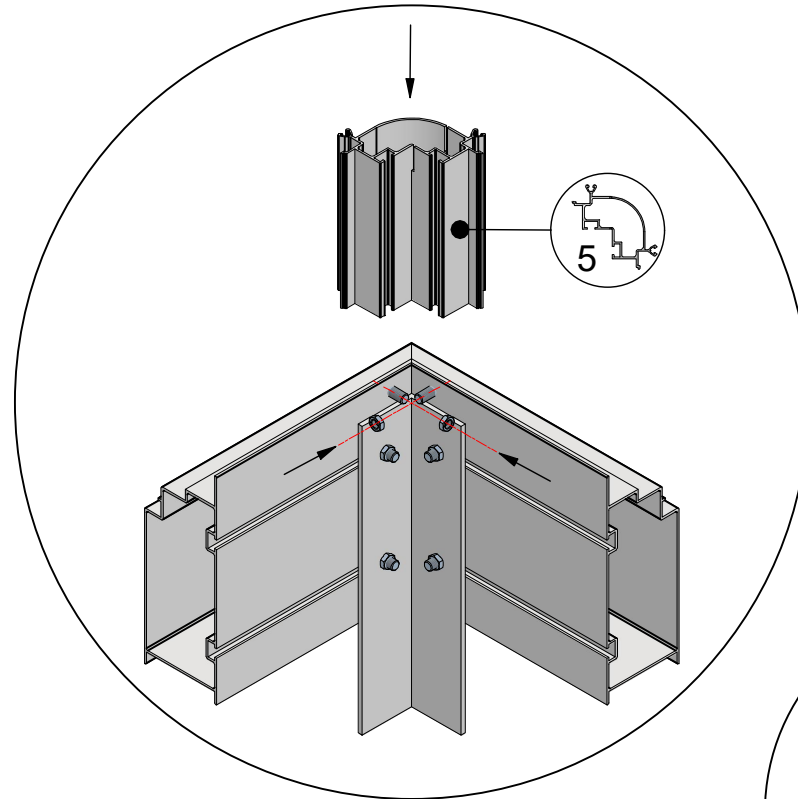
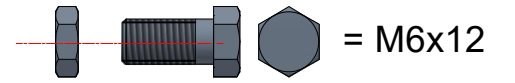
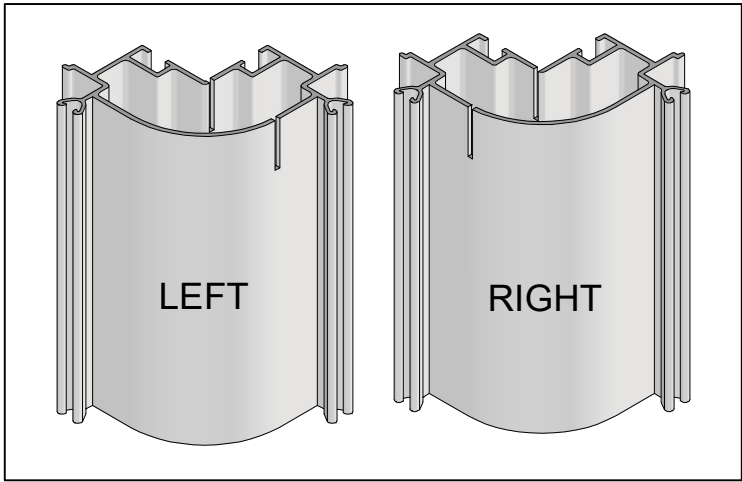
Ø = 8mm

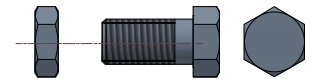


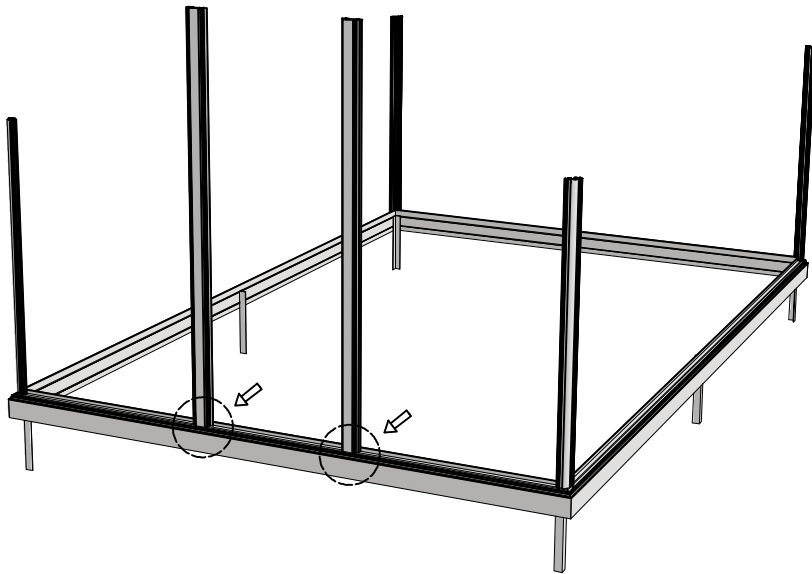
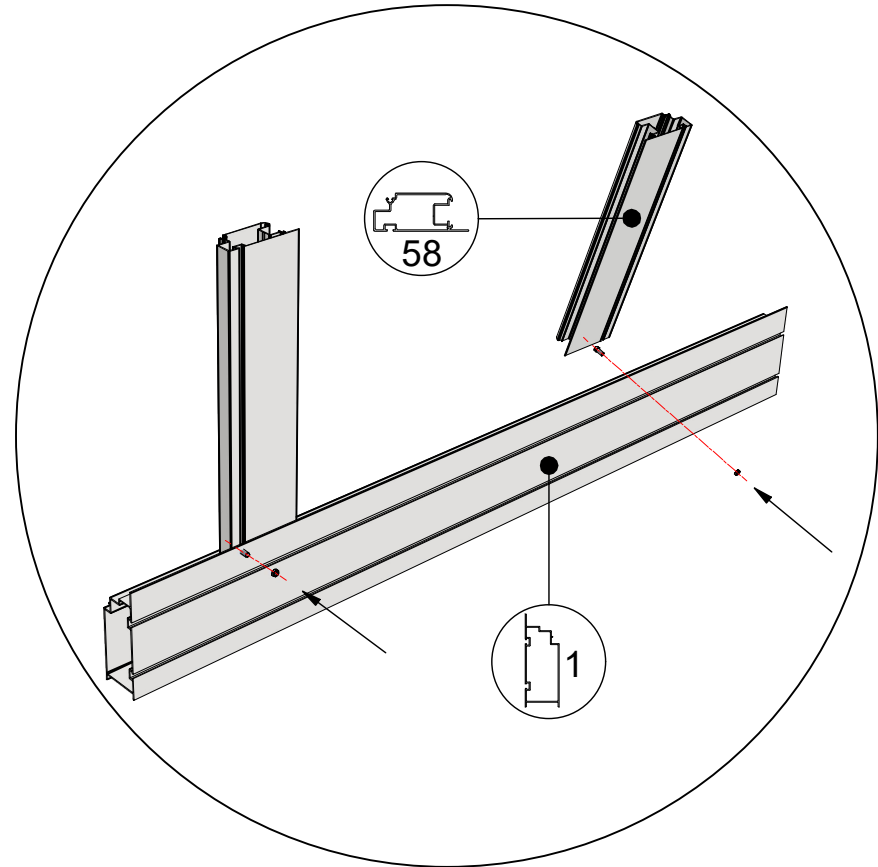
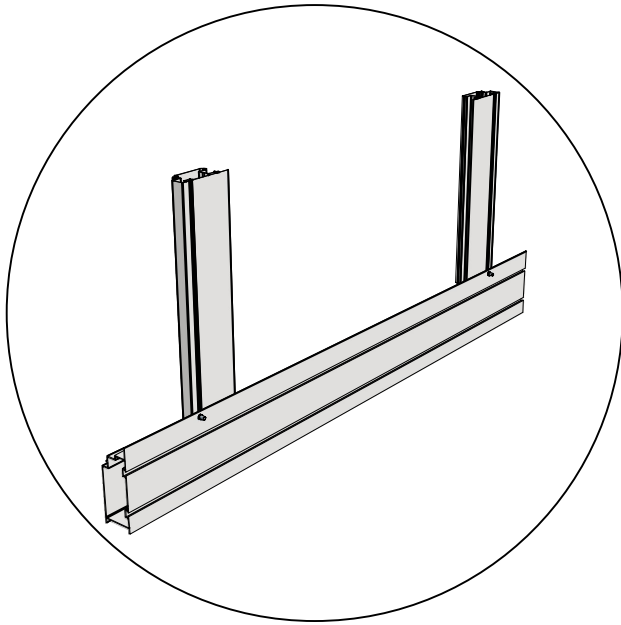
5


 = M6x12

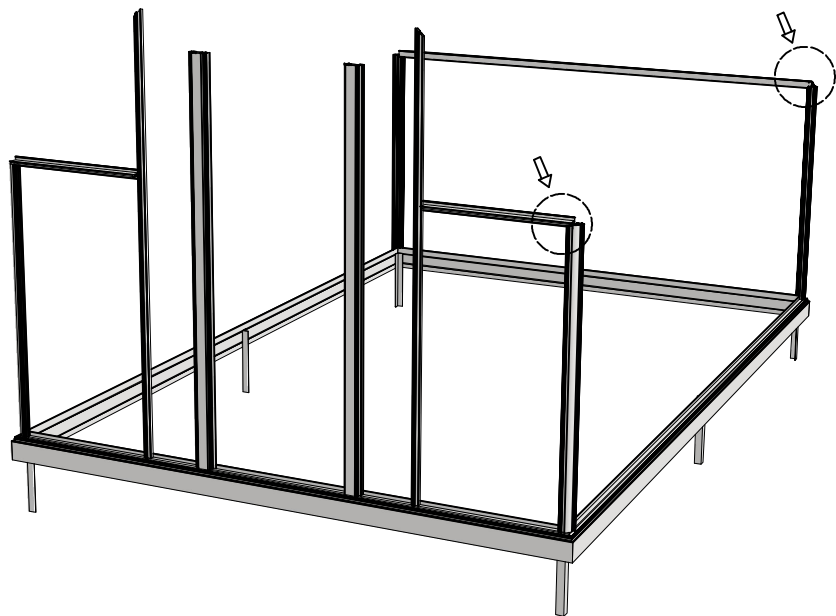
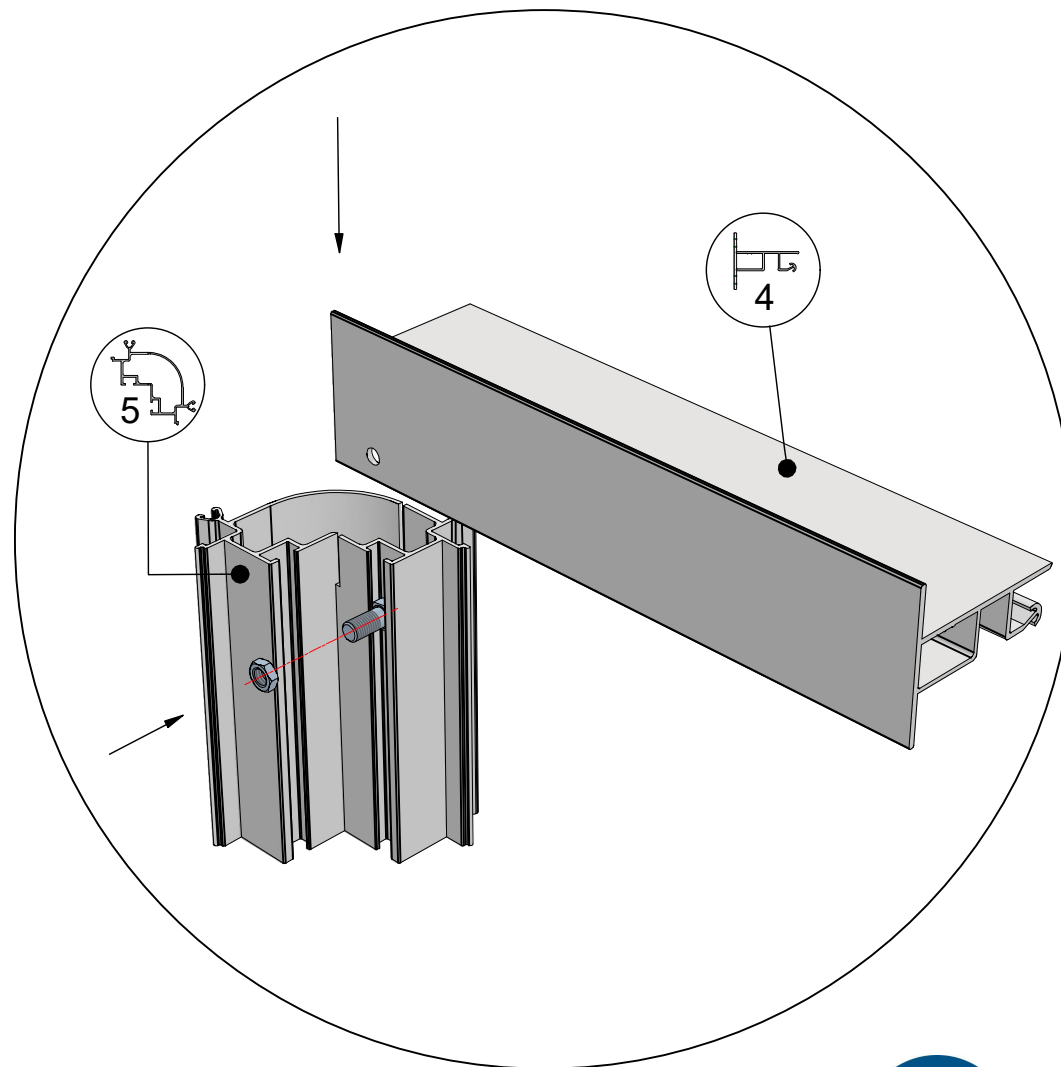
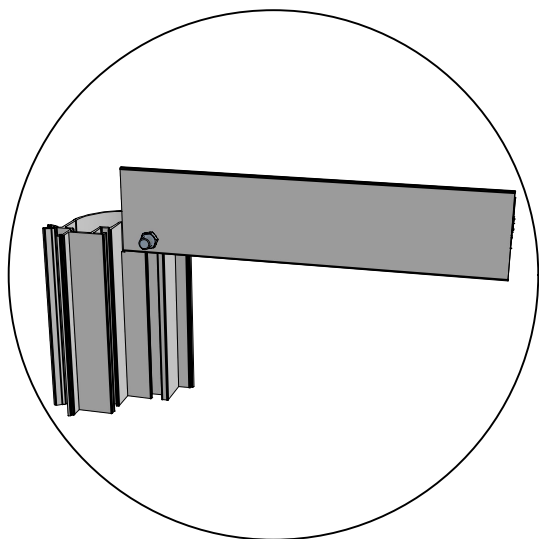





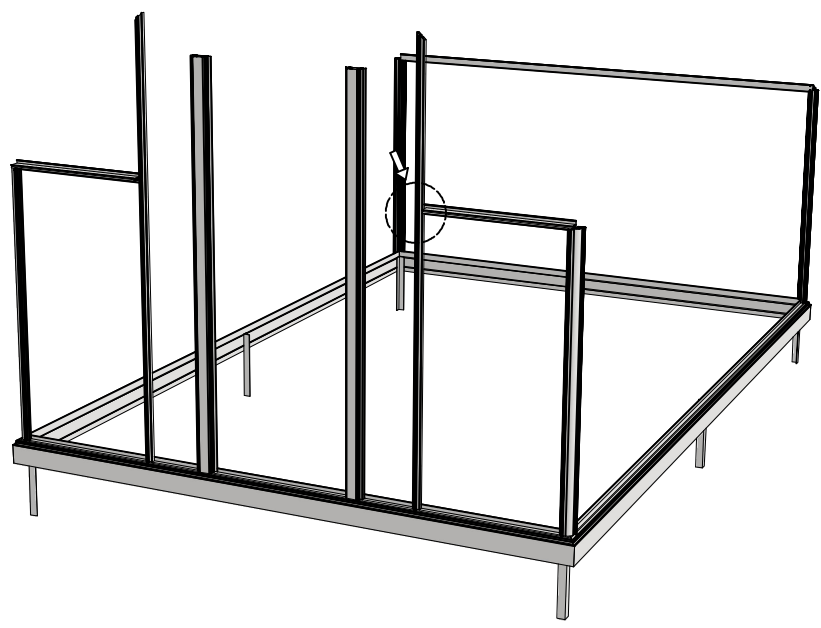
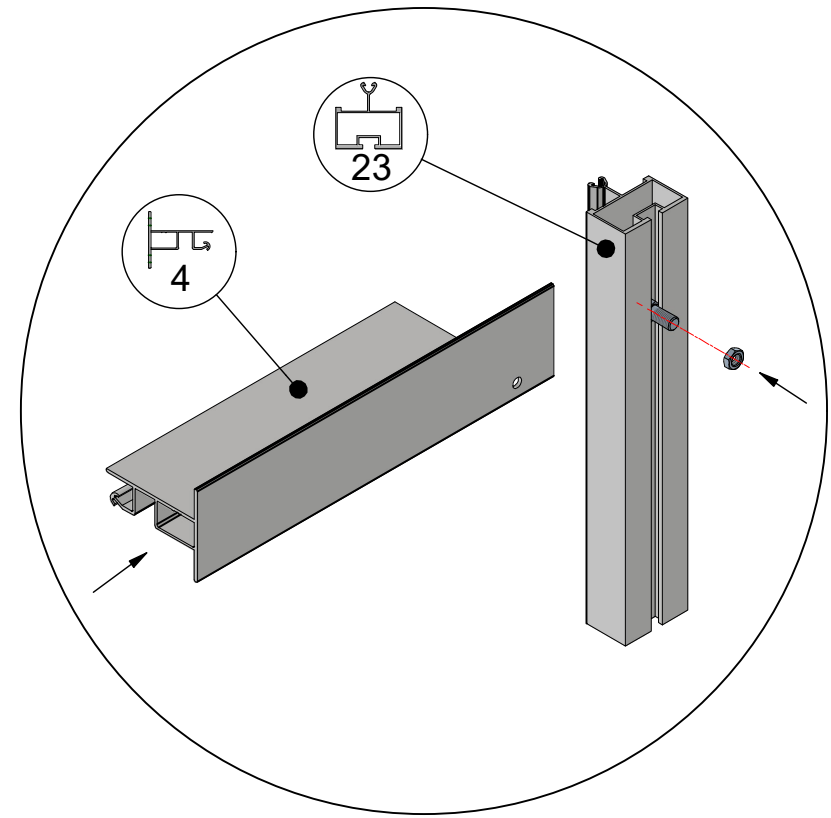
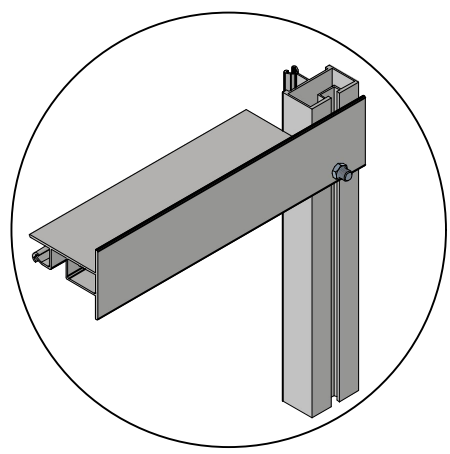
 = M6x12




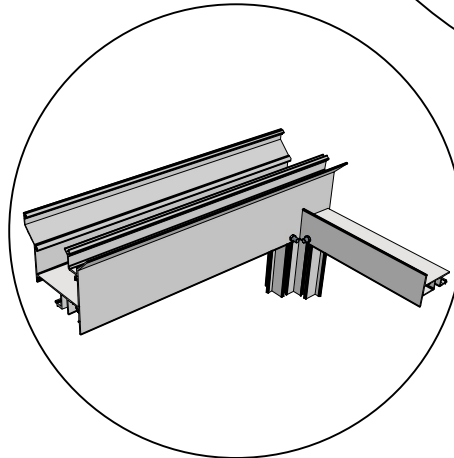
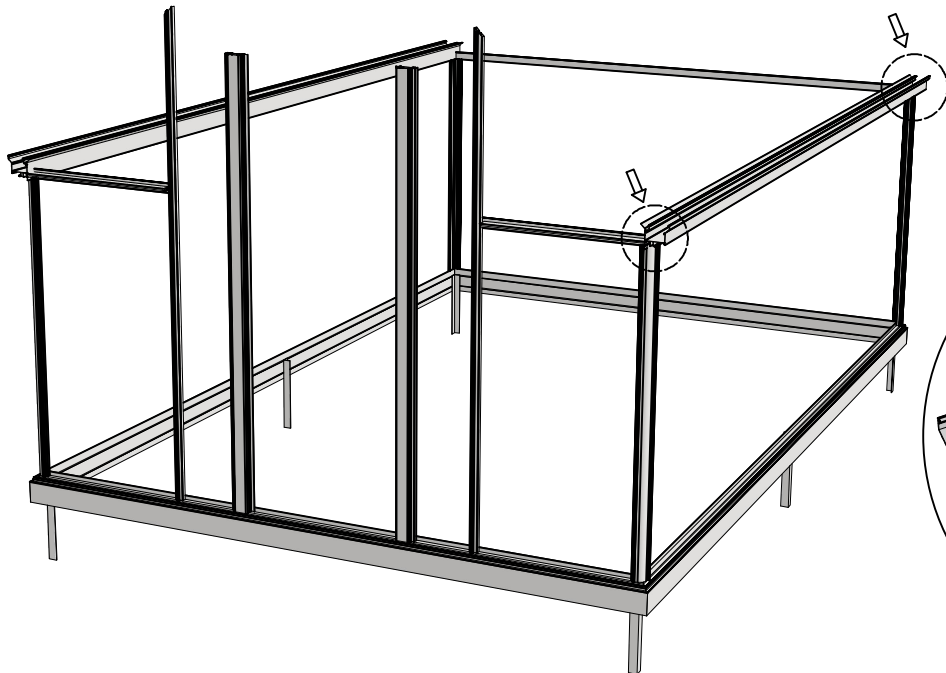
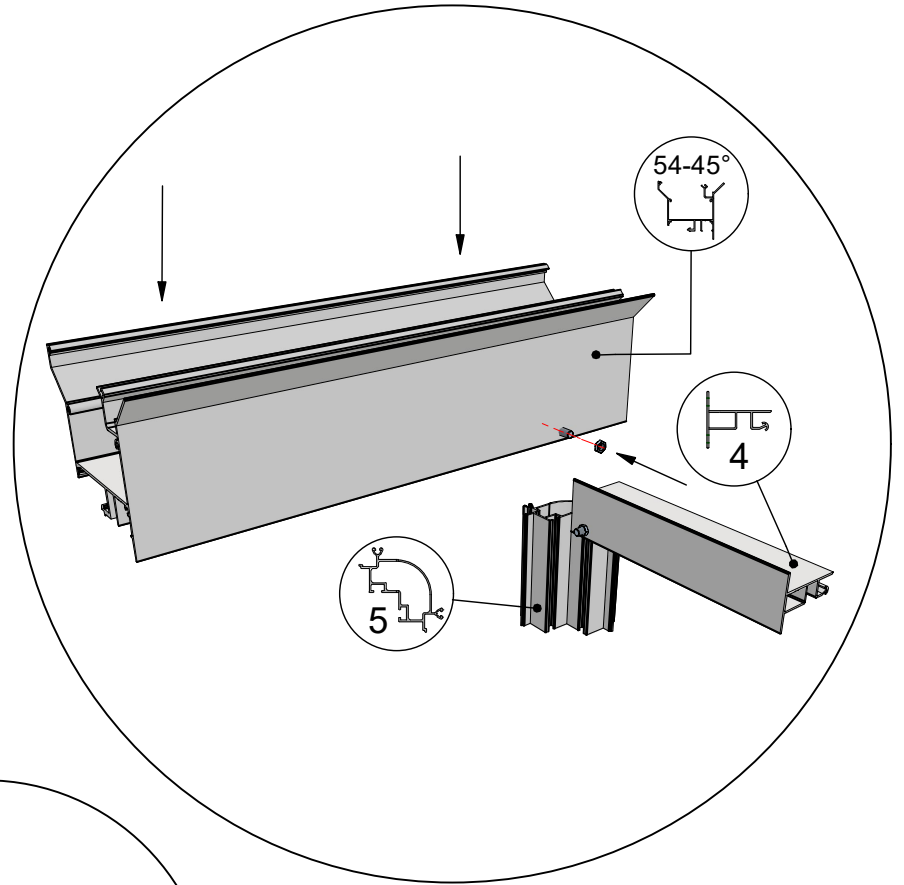
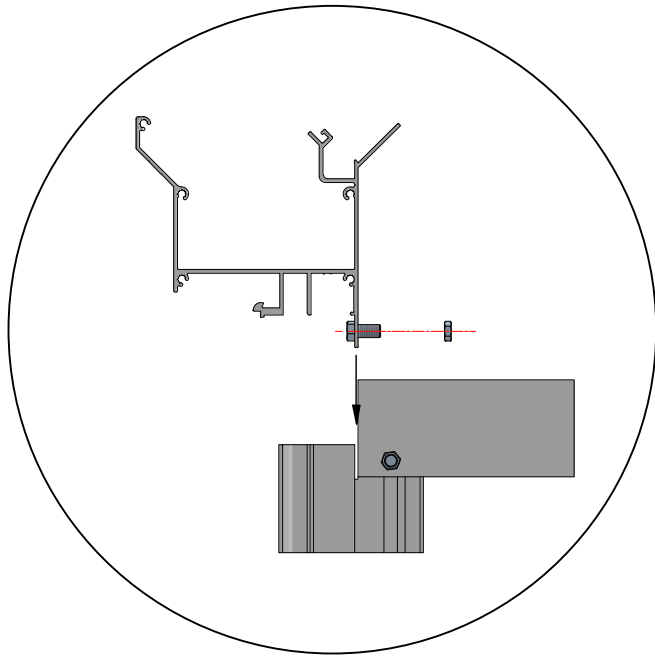
 = M6x12

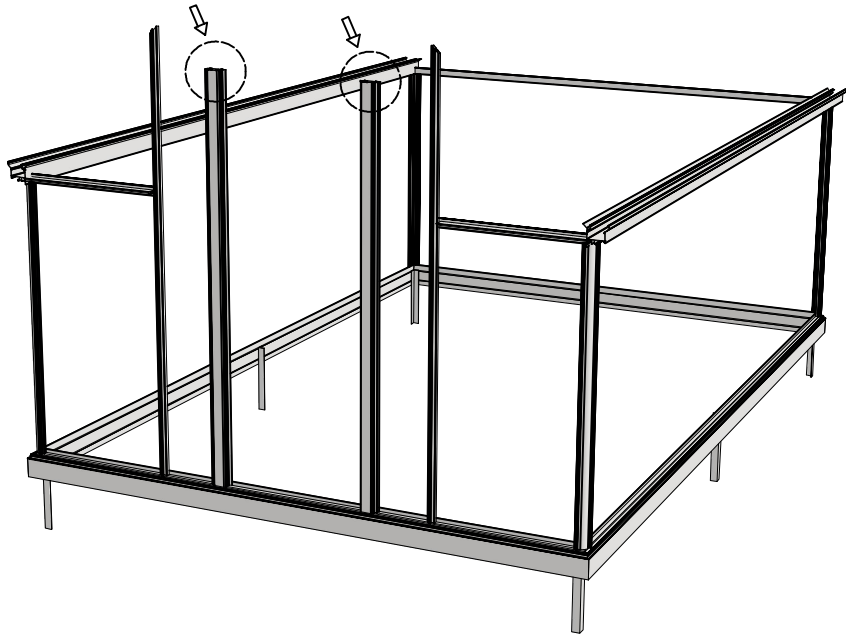
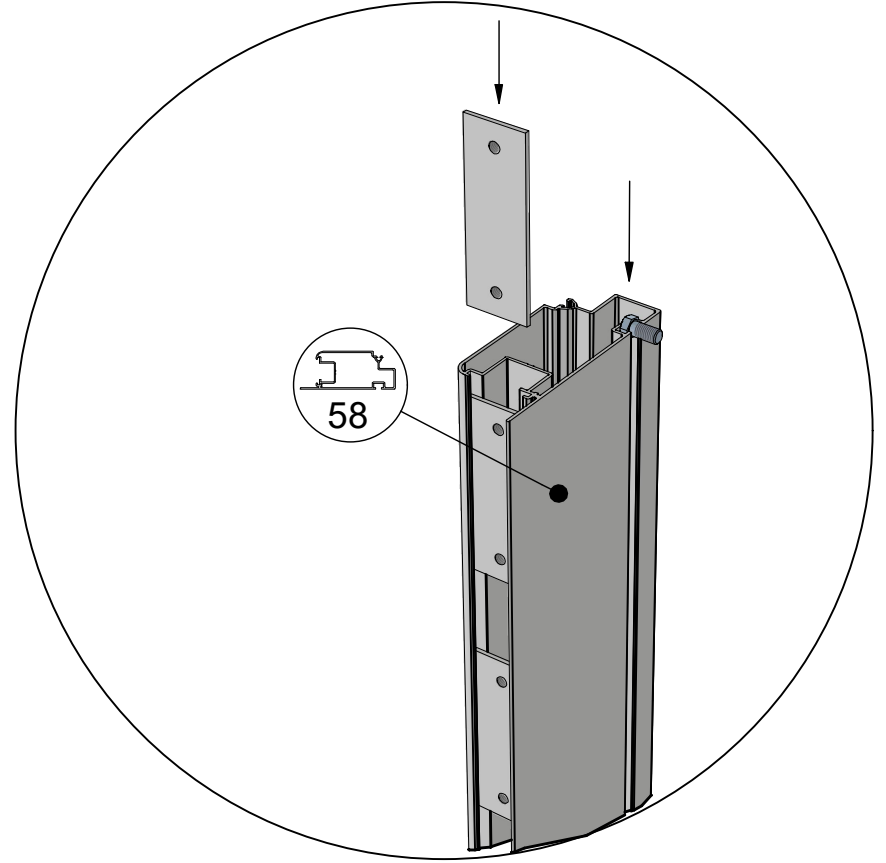
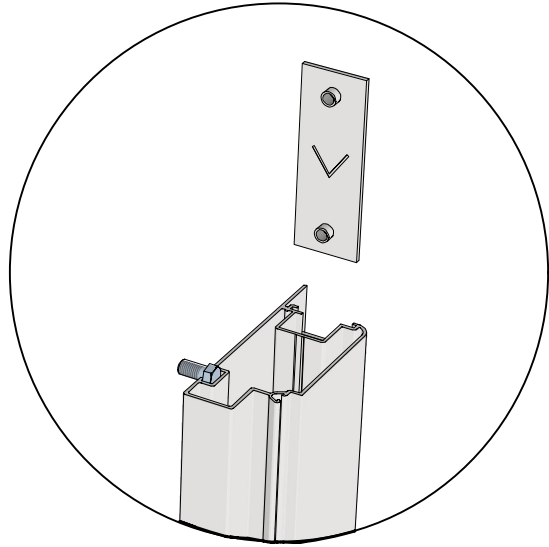


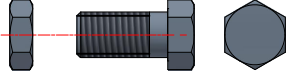
 = M6x12

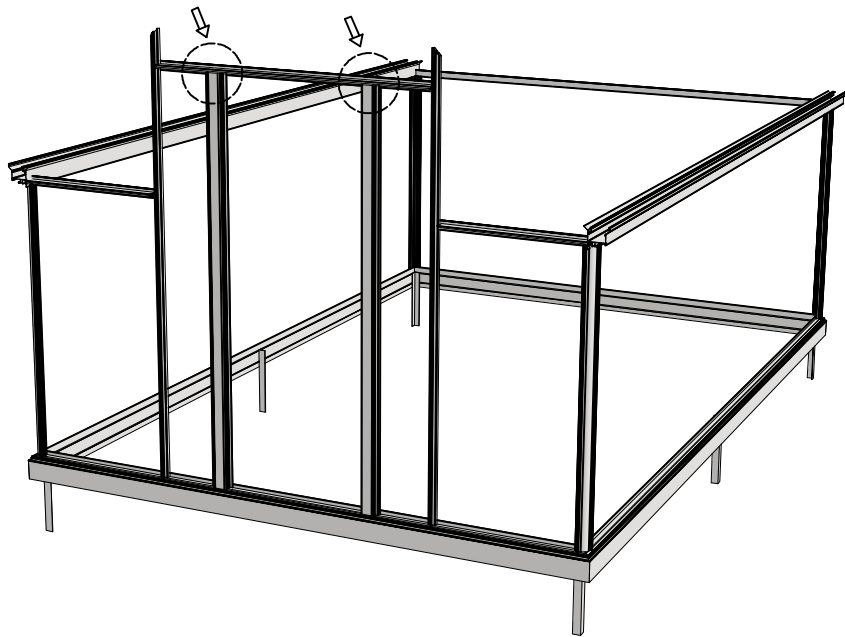
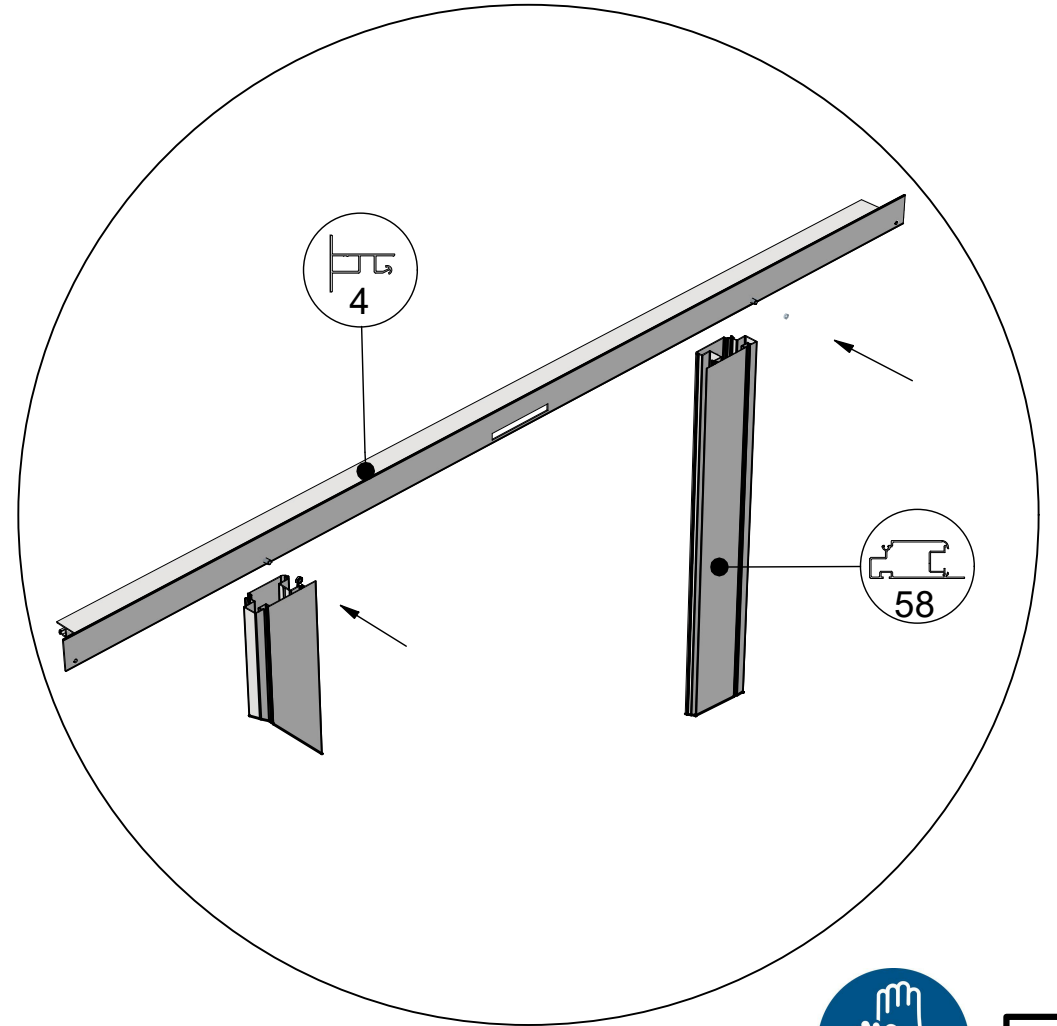
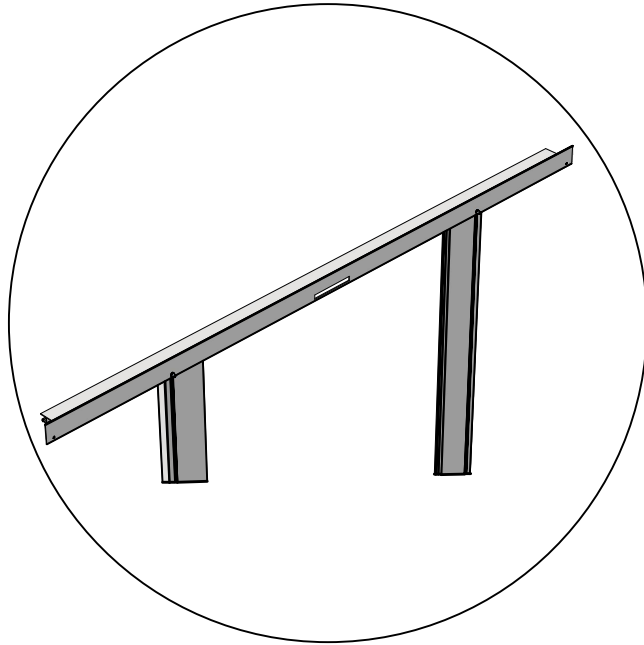


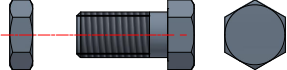
 = M6x12 (4x)

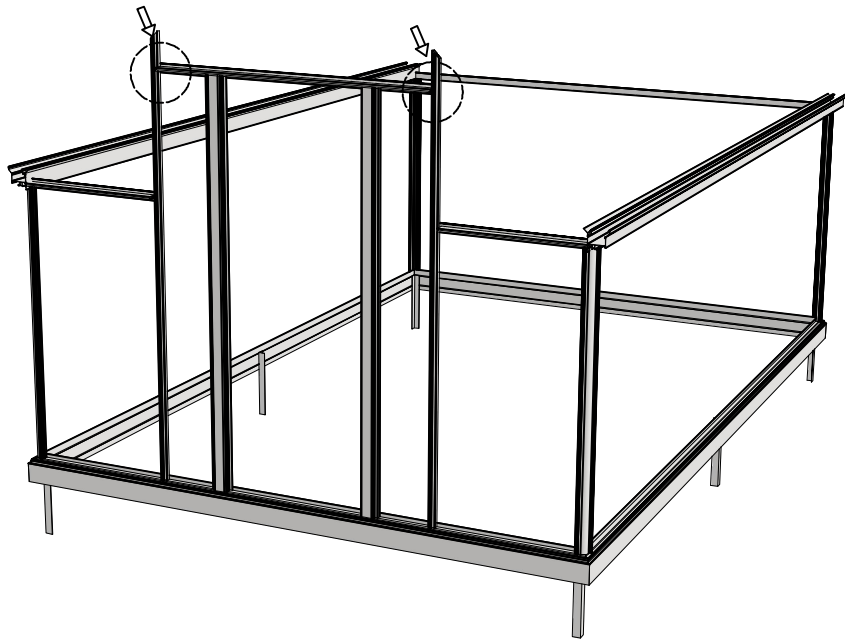
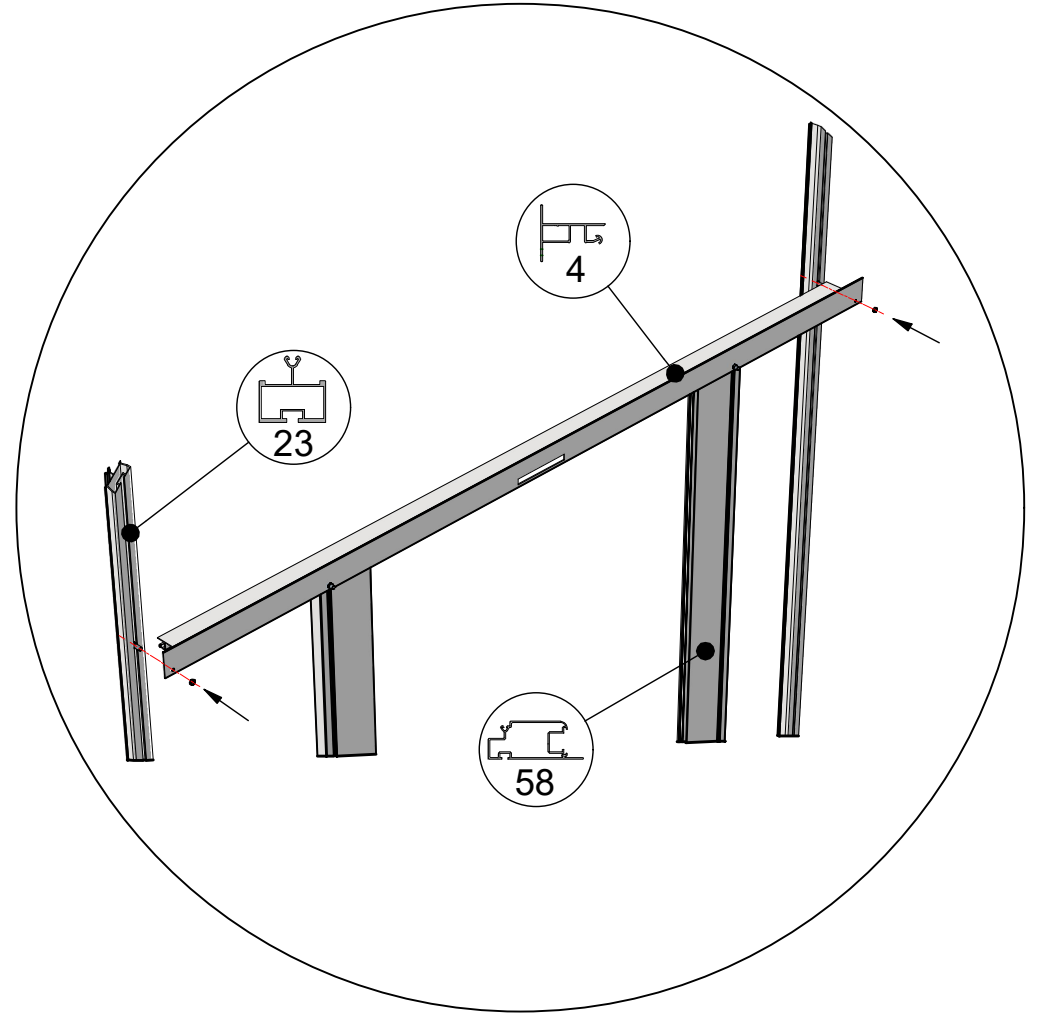
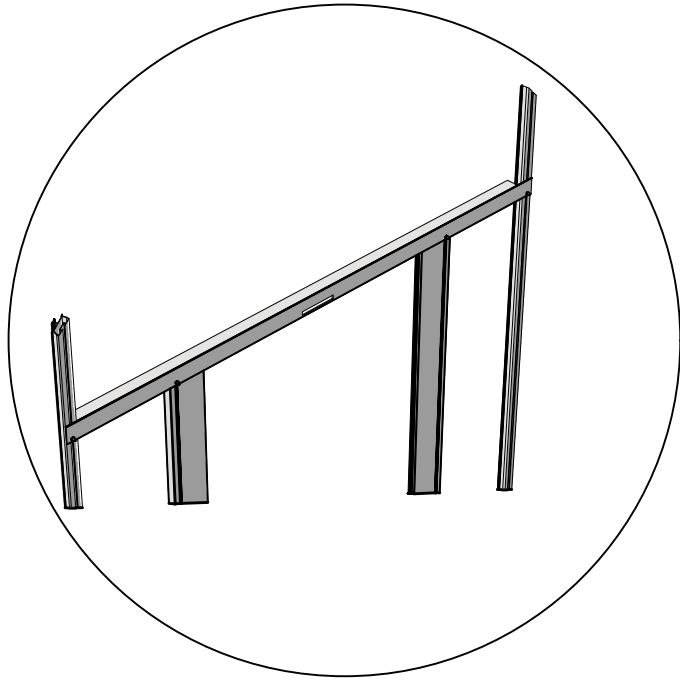


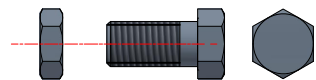


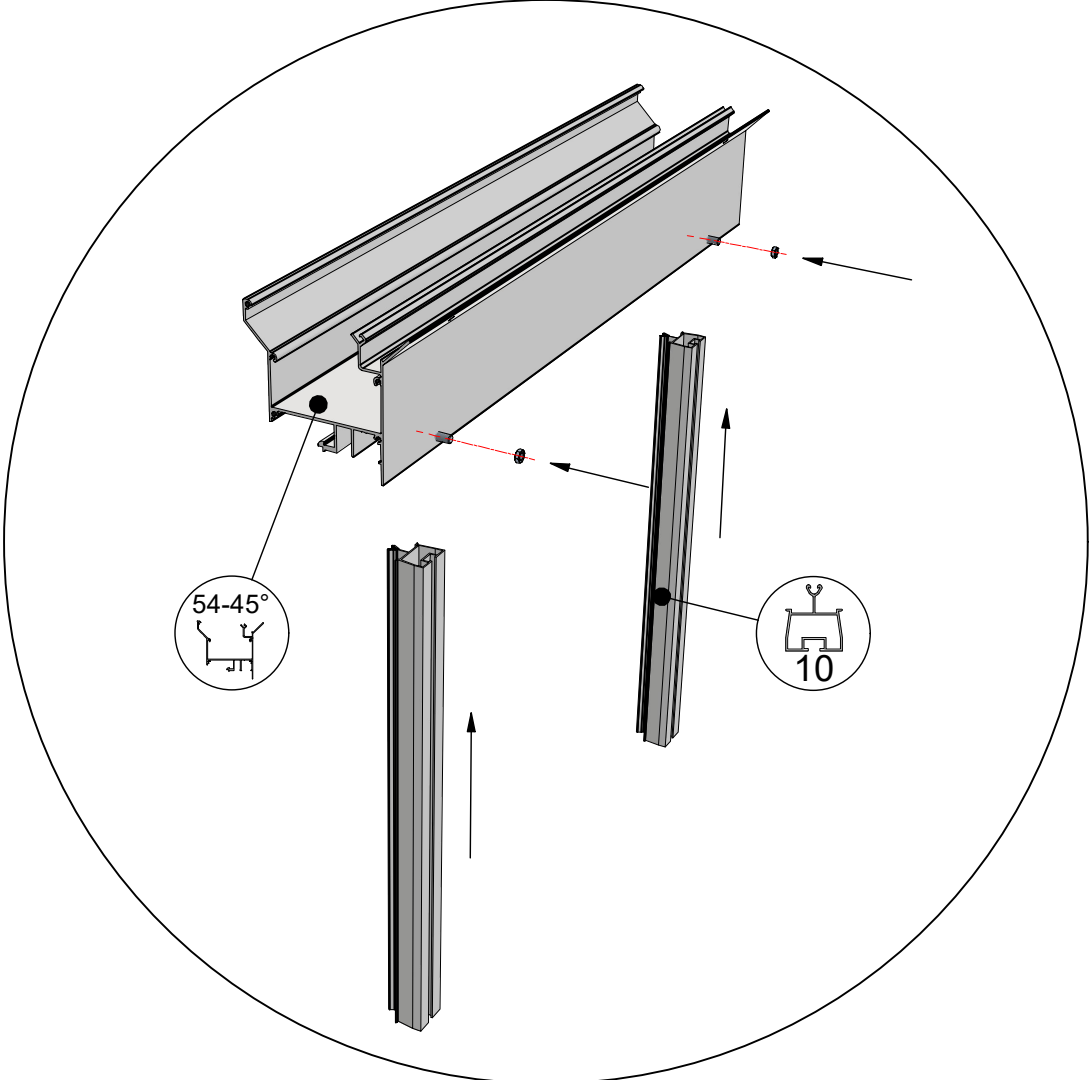
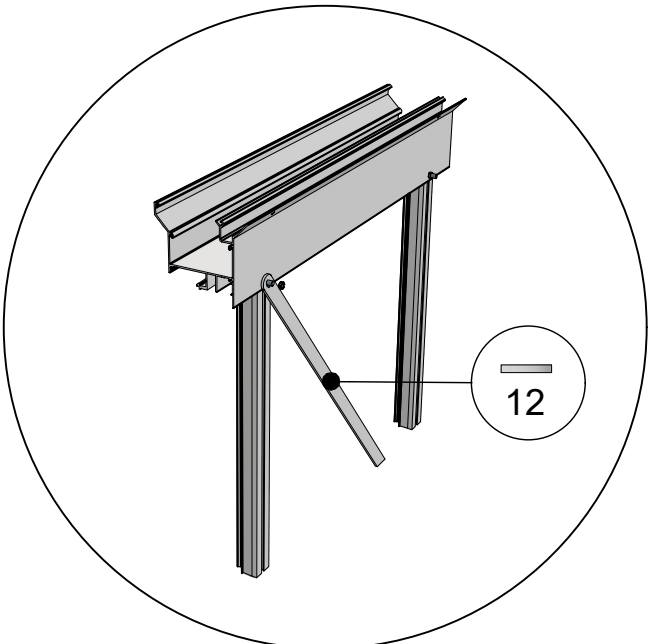
 = M6x12

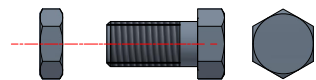


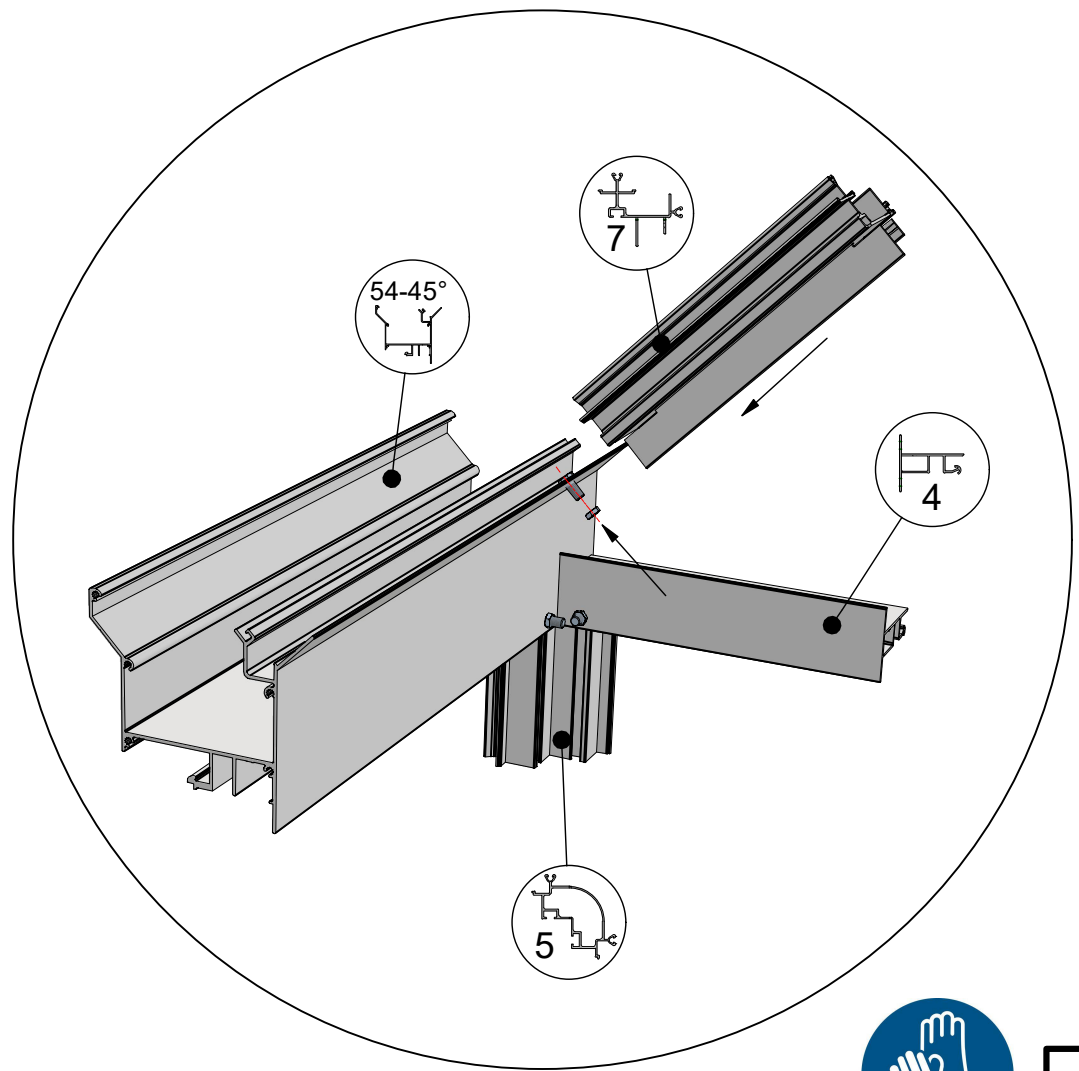
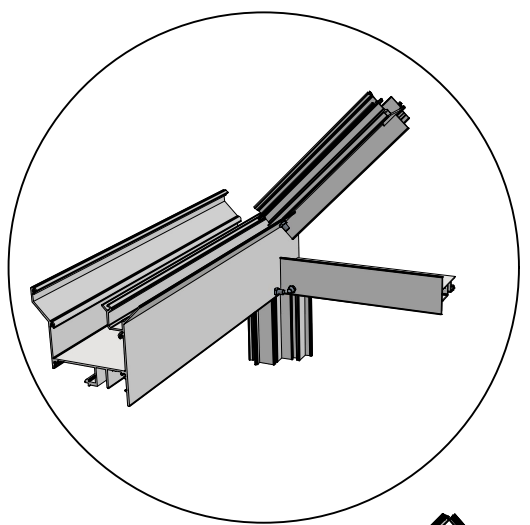
 = M6x12

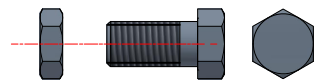


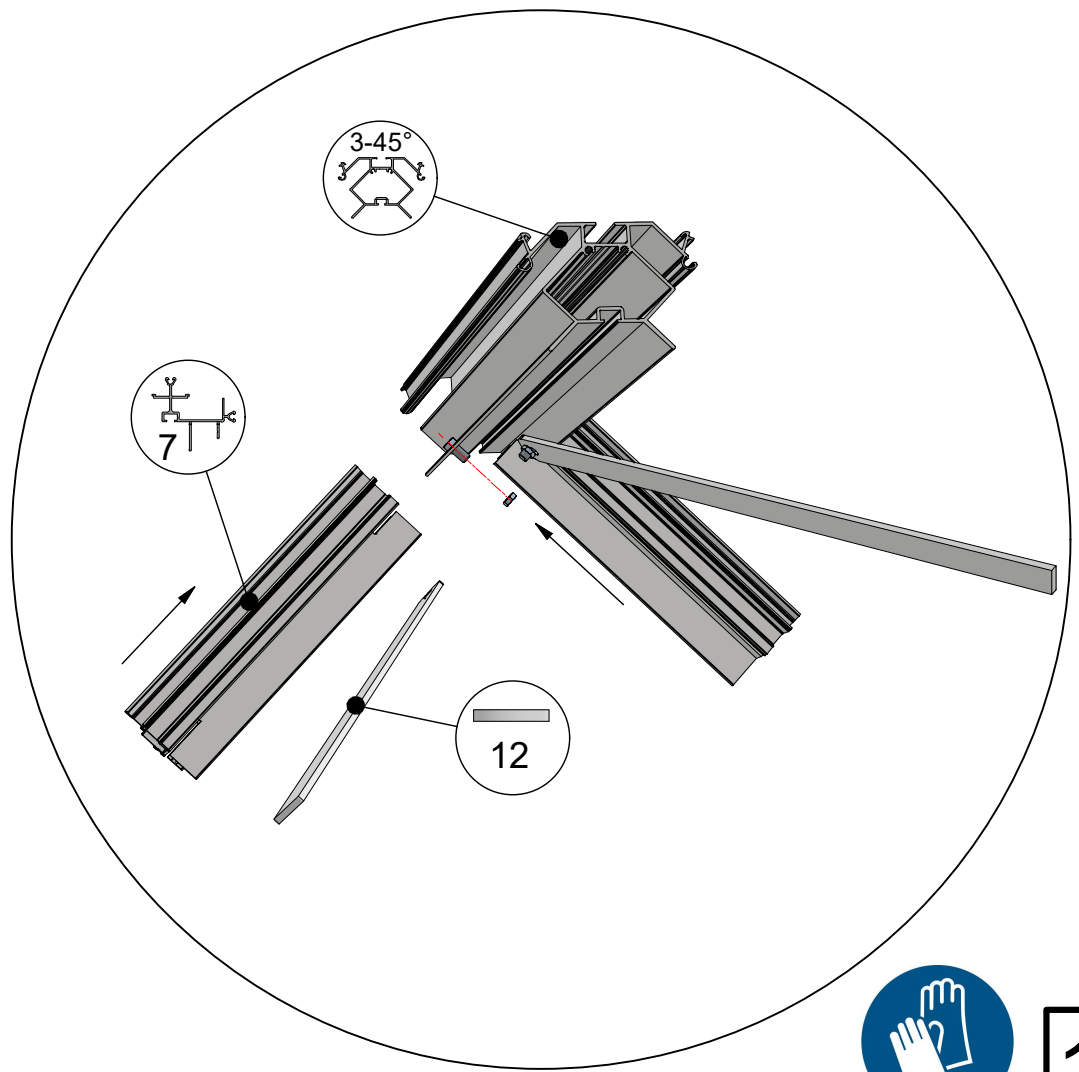
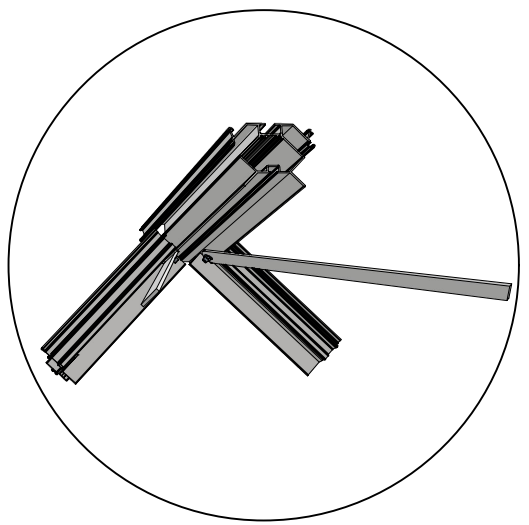
 = M6x12




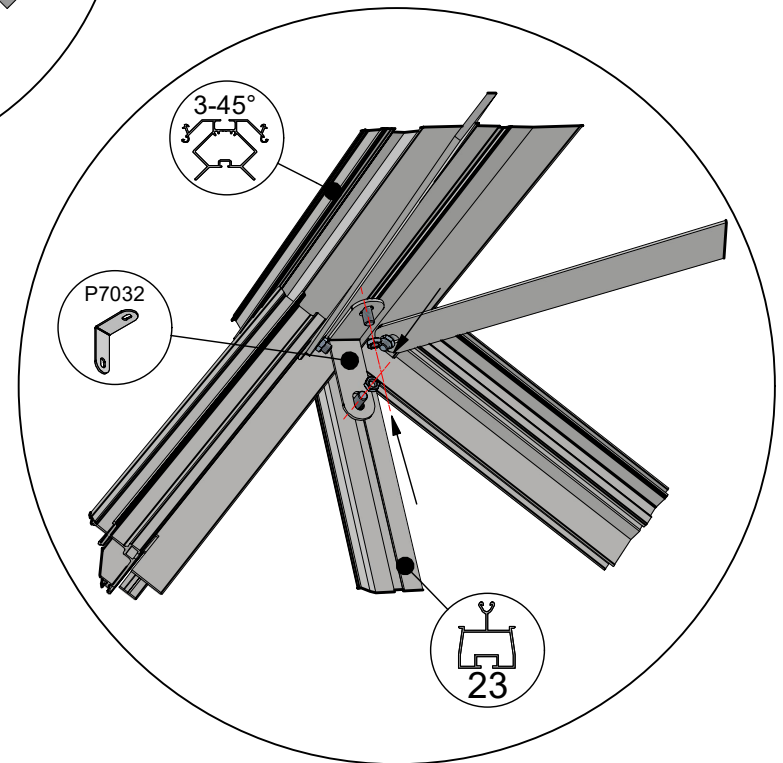
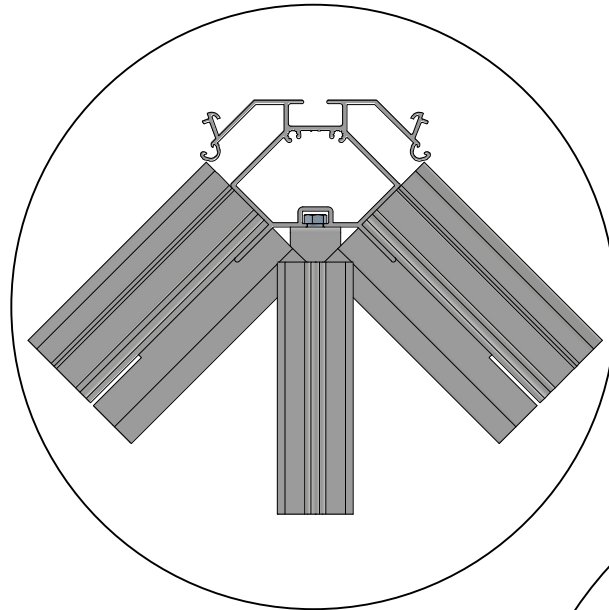
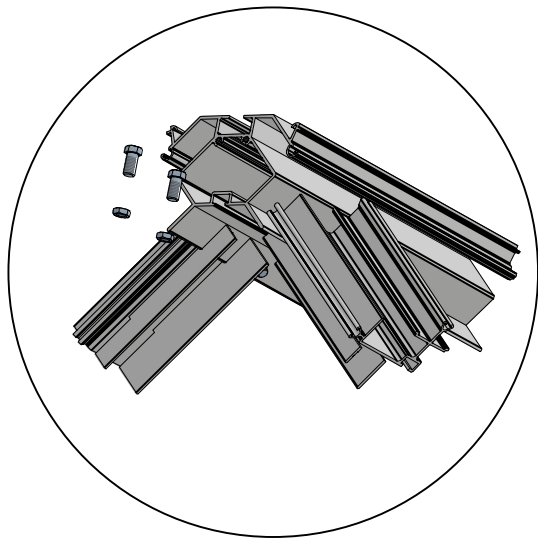
 = M6x12

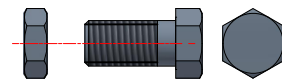


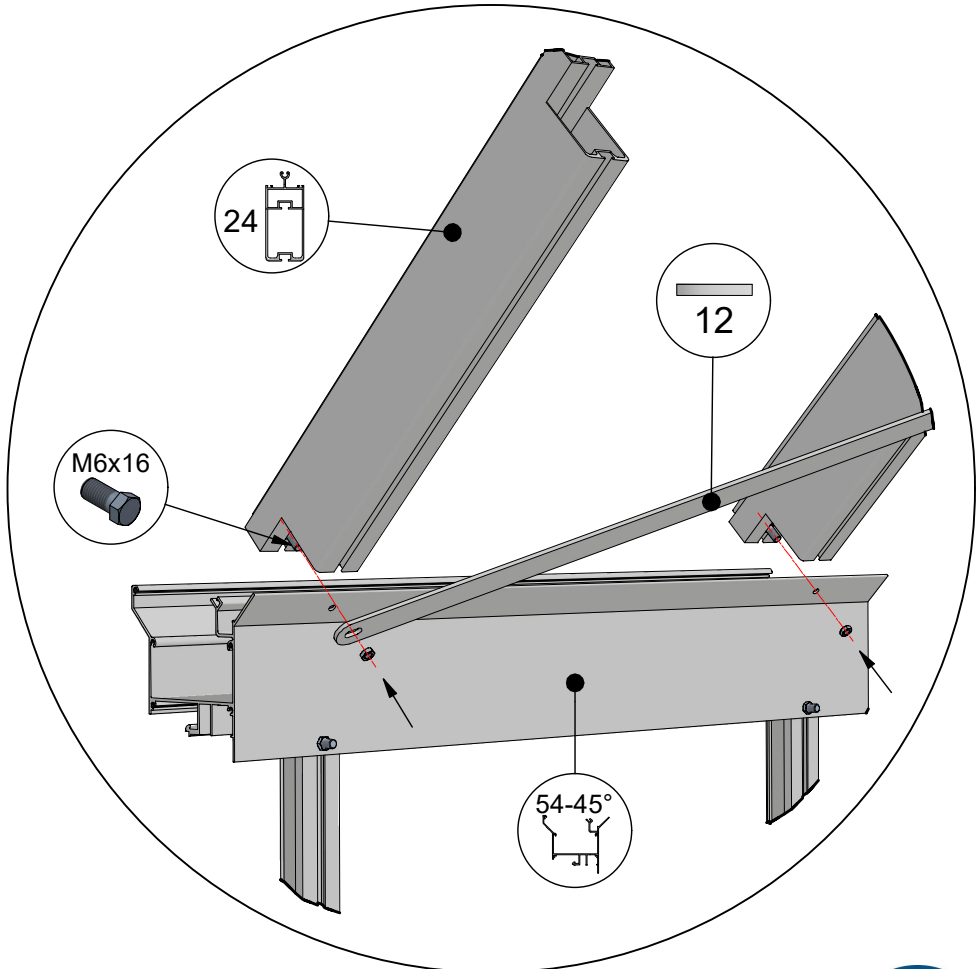
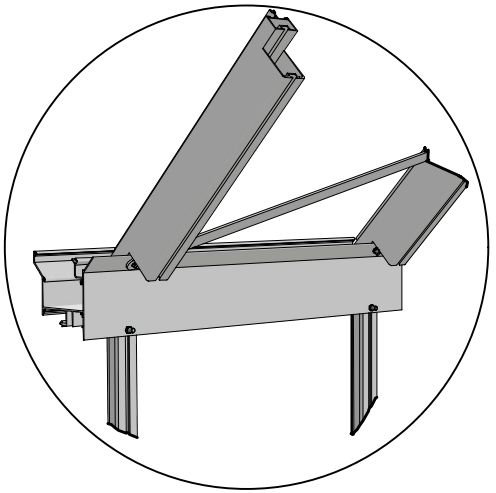
 = M6x12

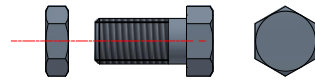


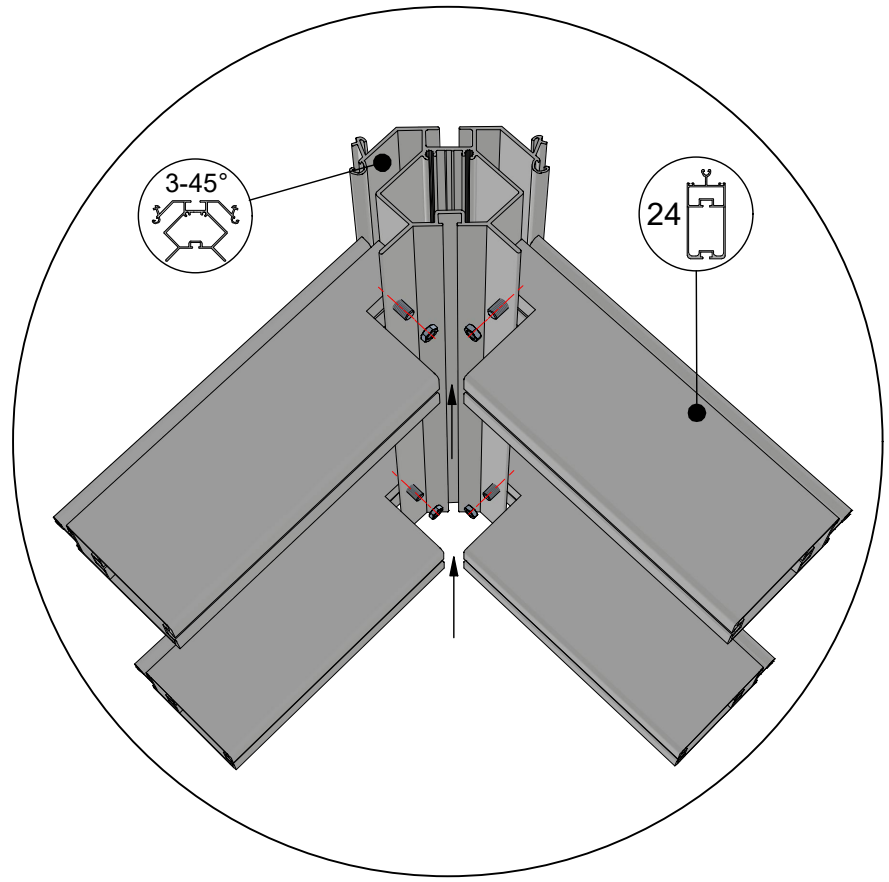
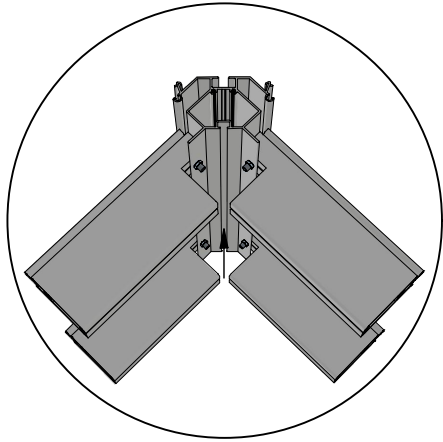
 = M6x12




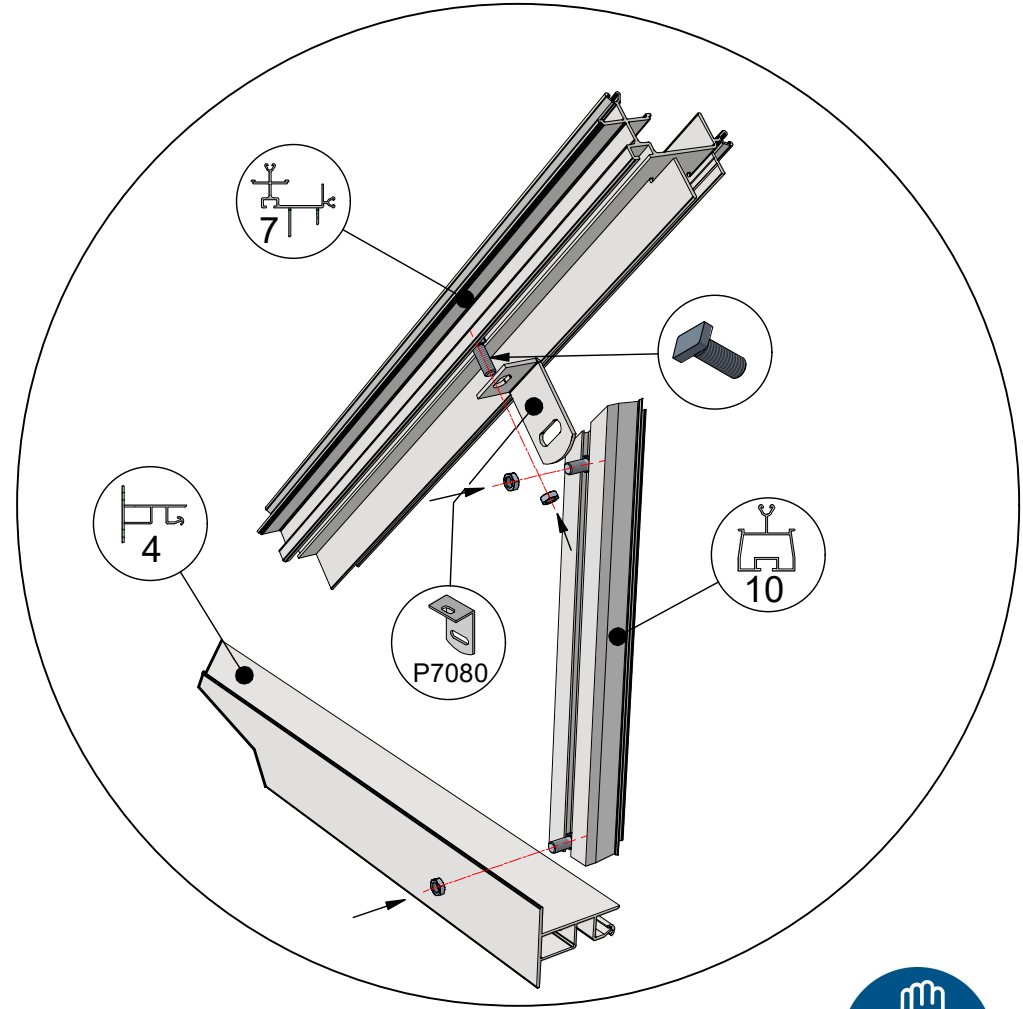
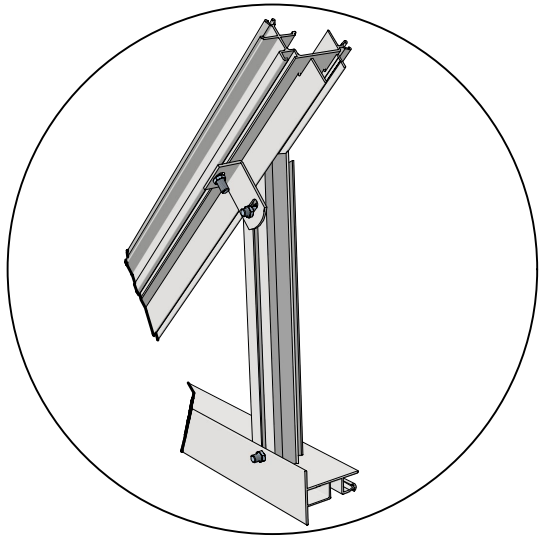
 = M6x12




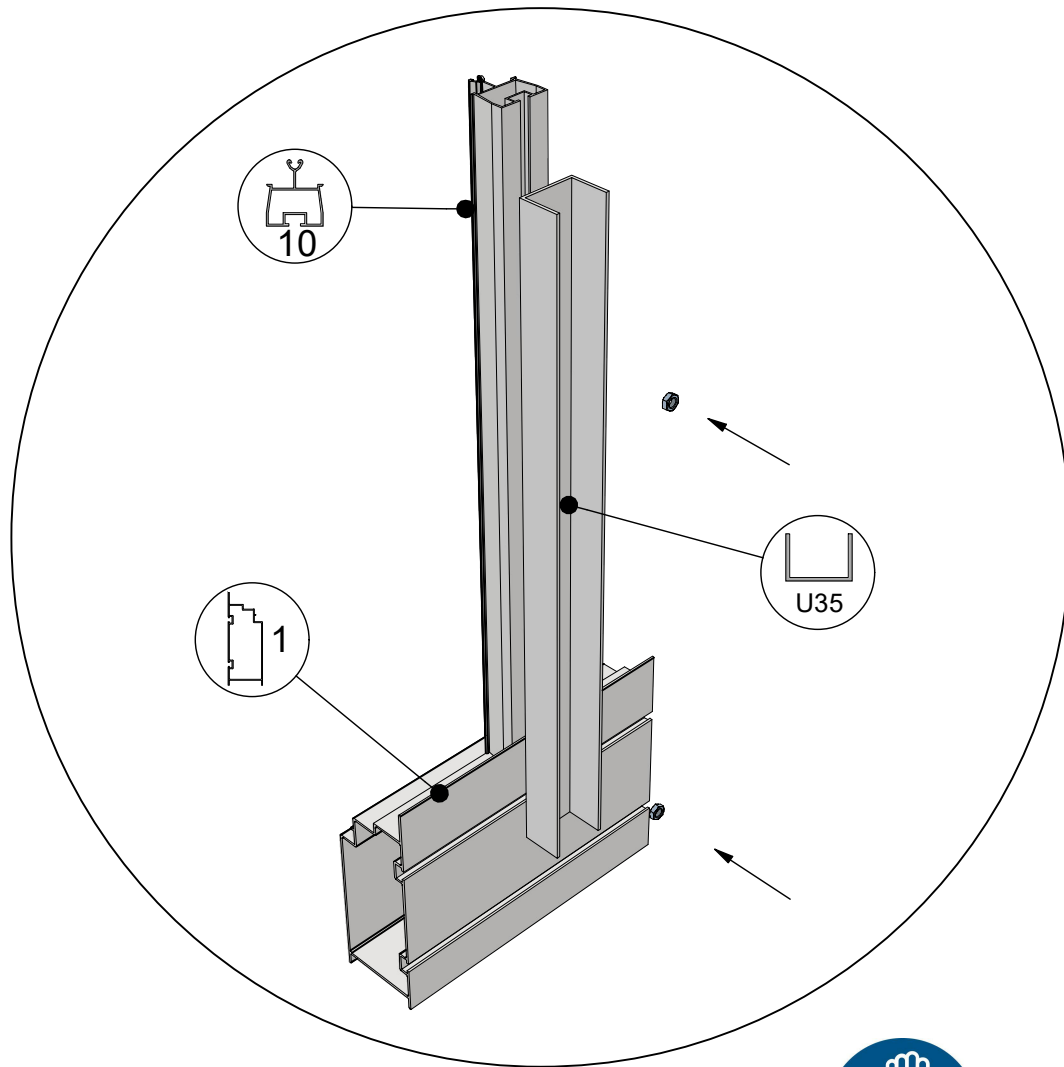
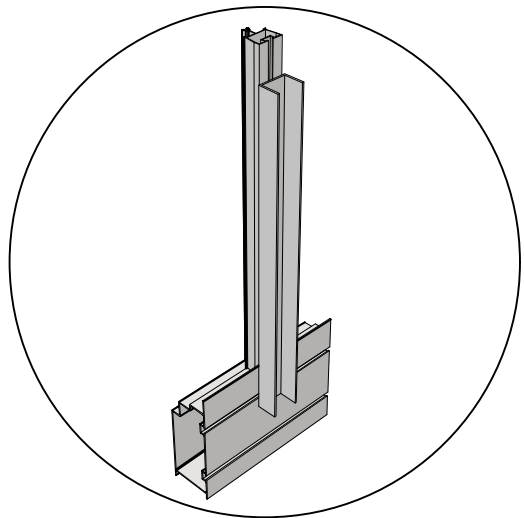
 = M6x12




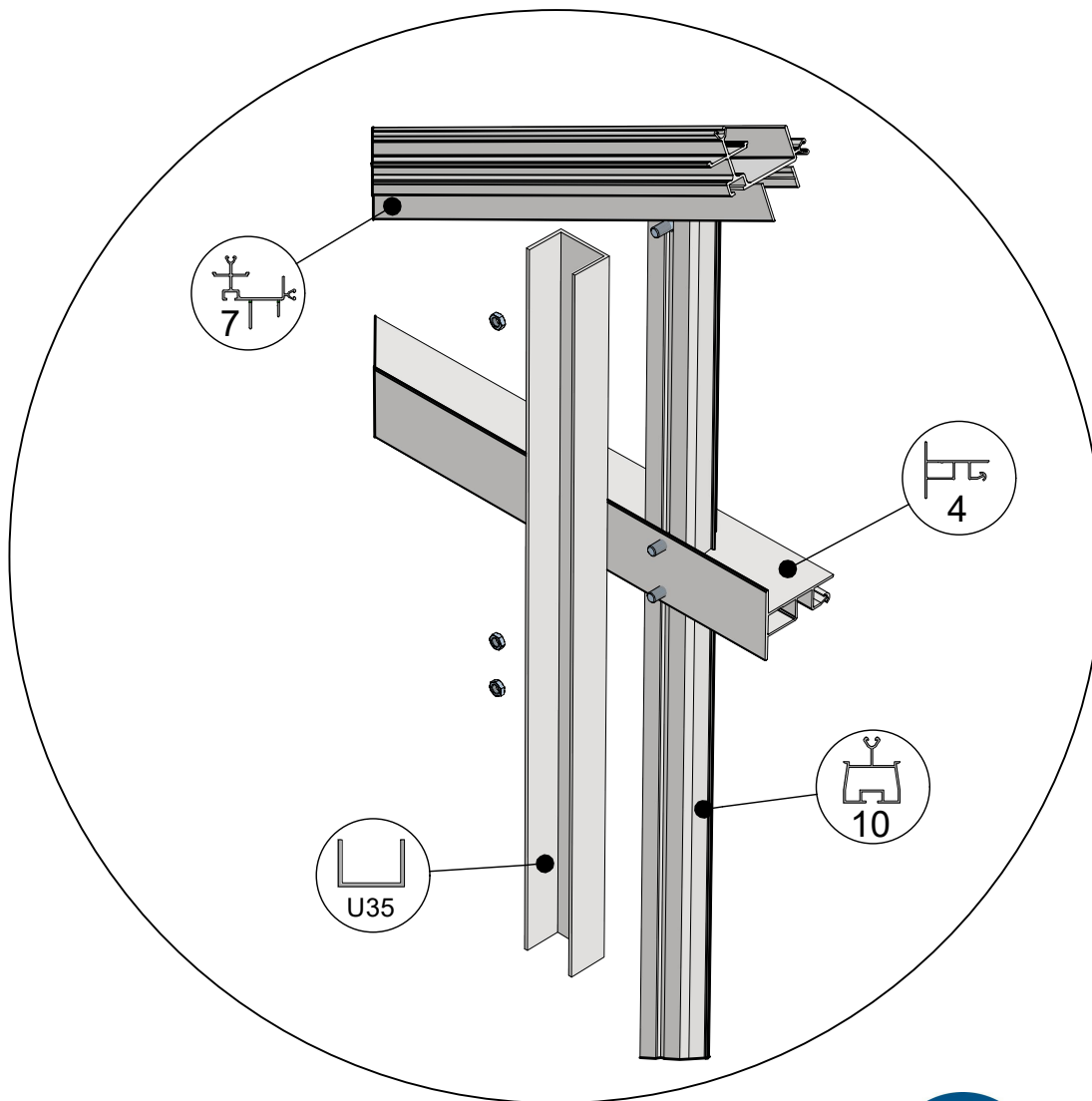
 = M6x16




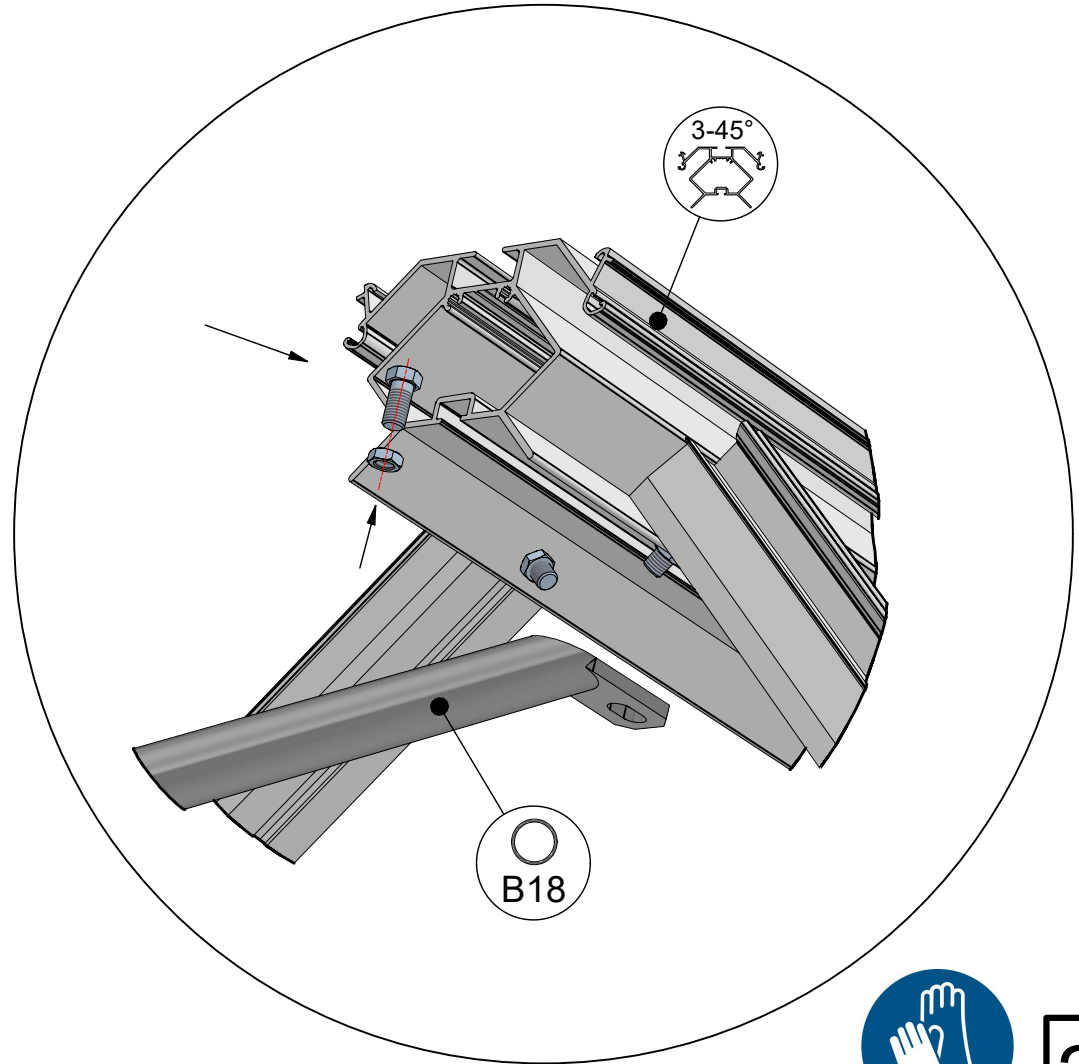
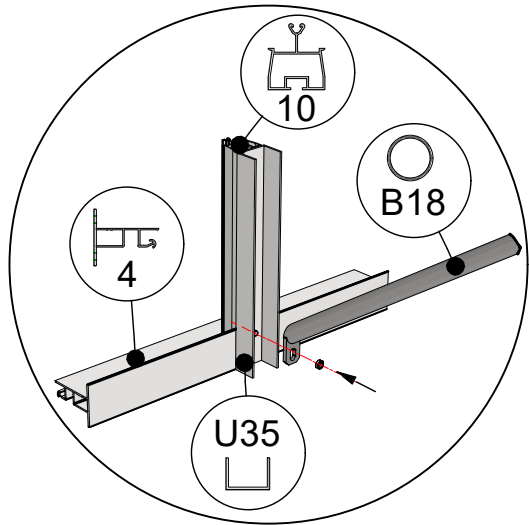
 = M6x12

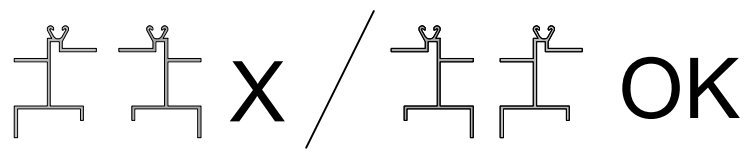
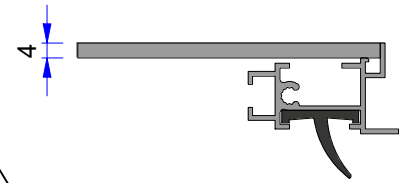
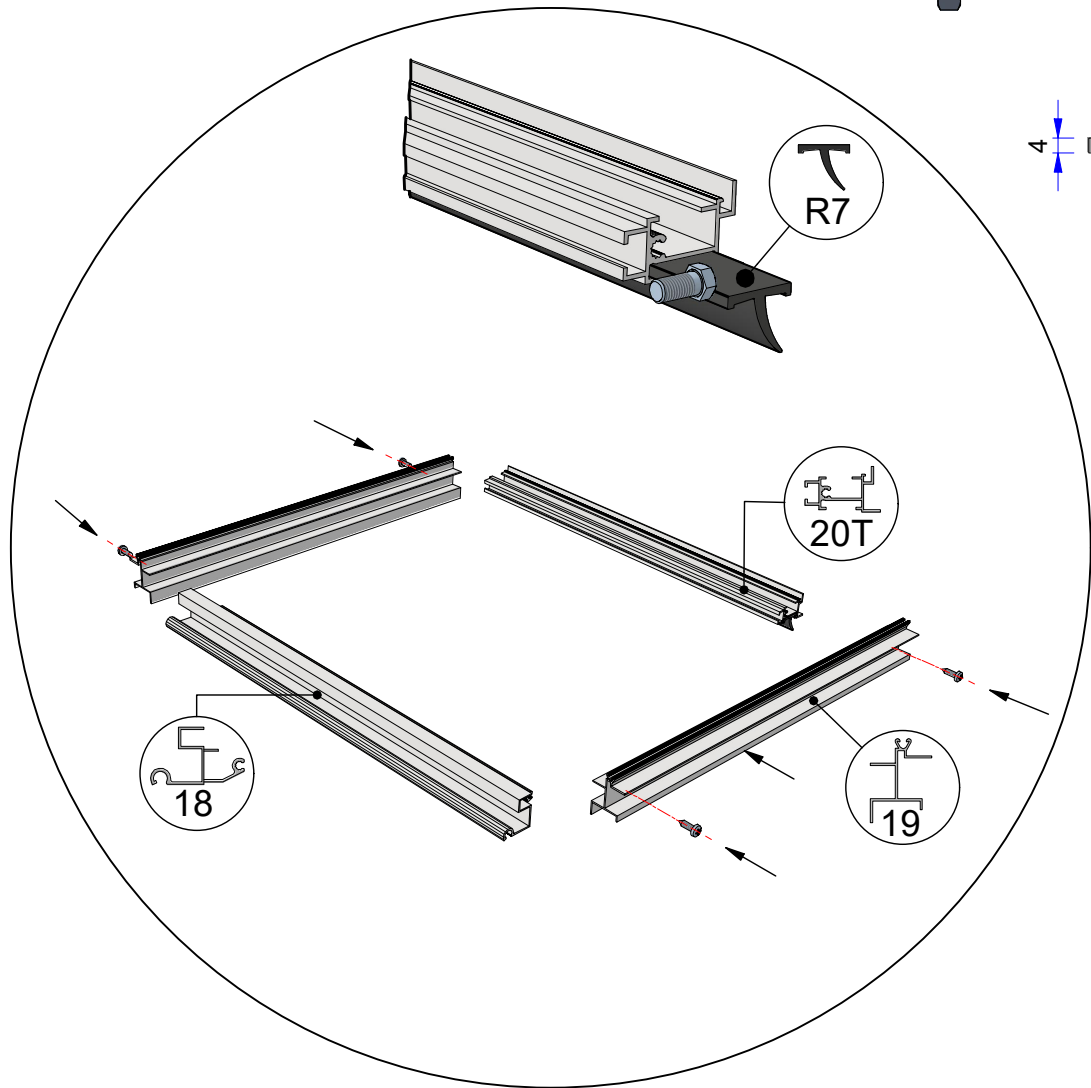
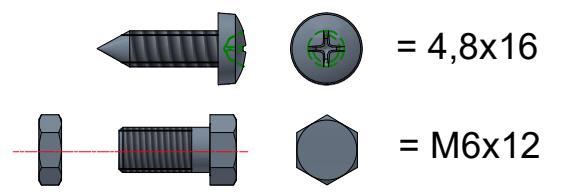
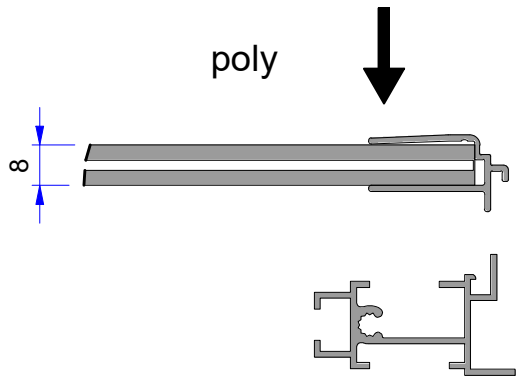


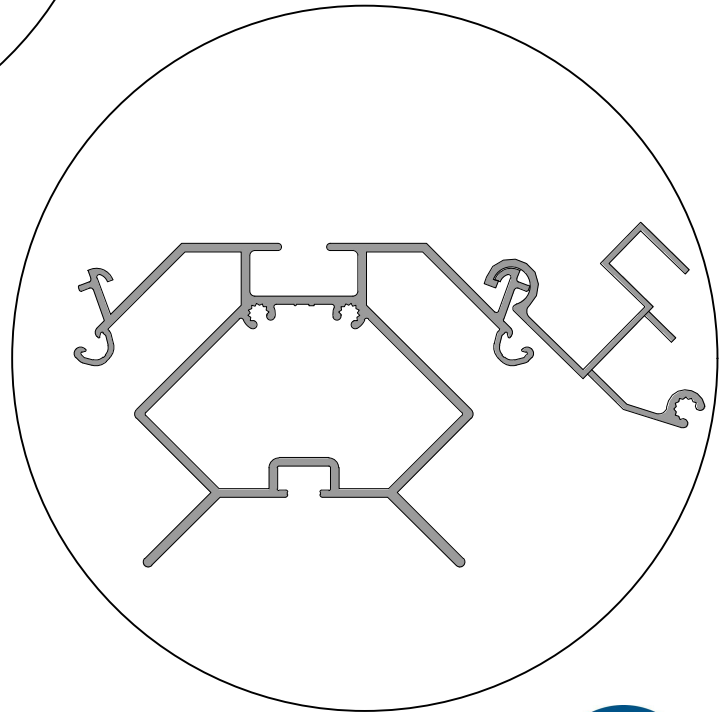
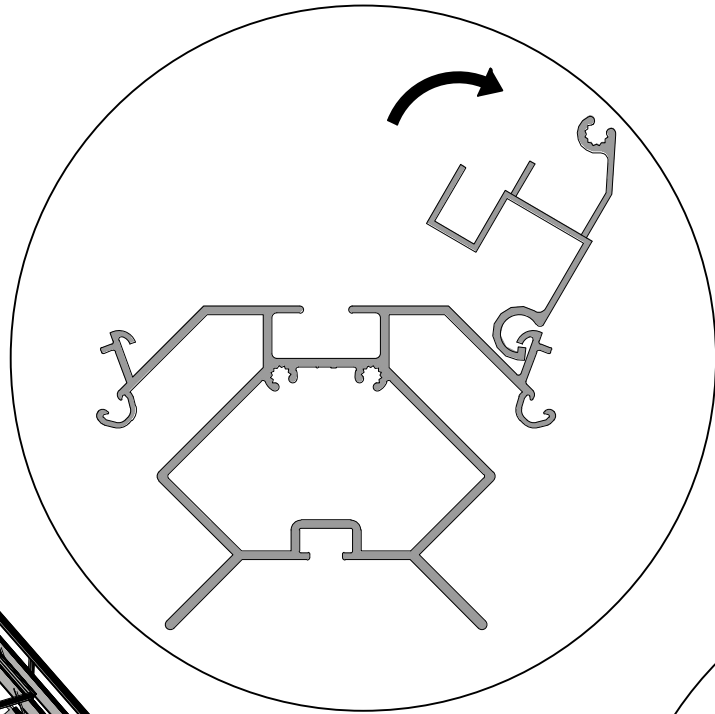
 = M6x12

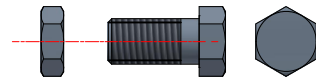


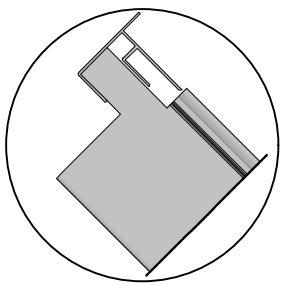
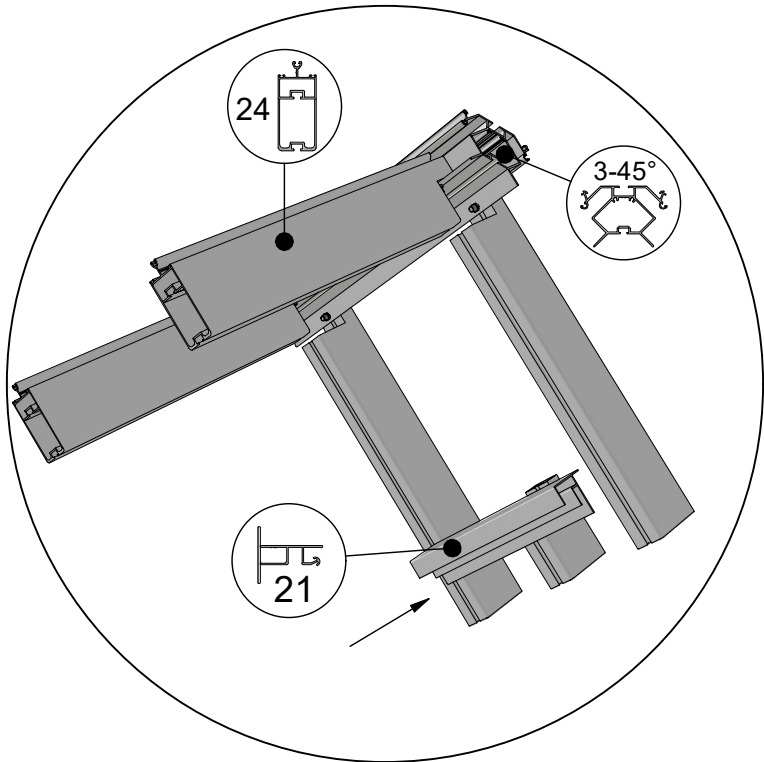
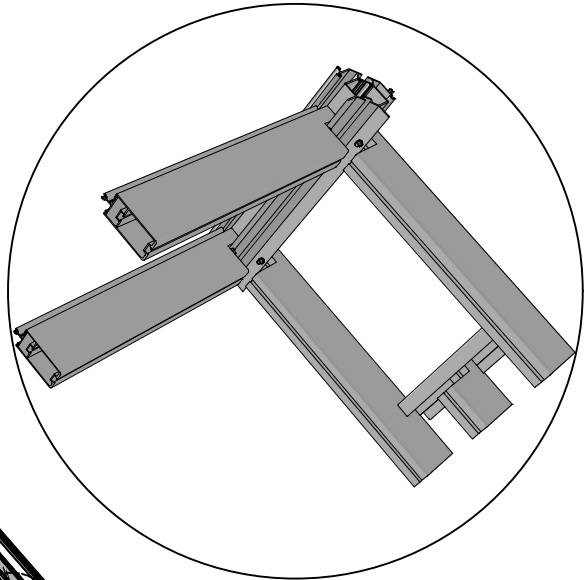
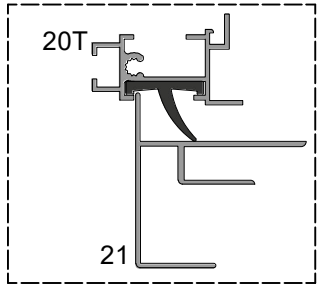
 = M6x12

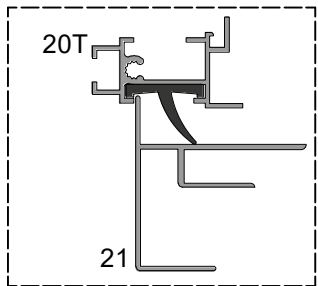





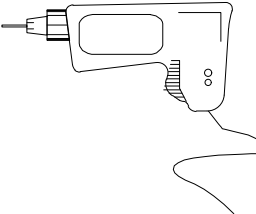


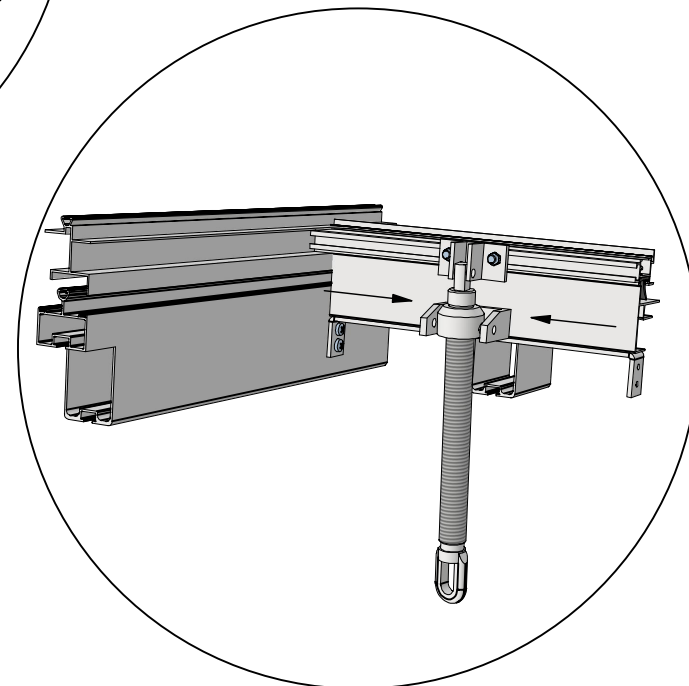
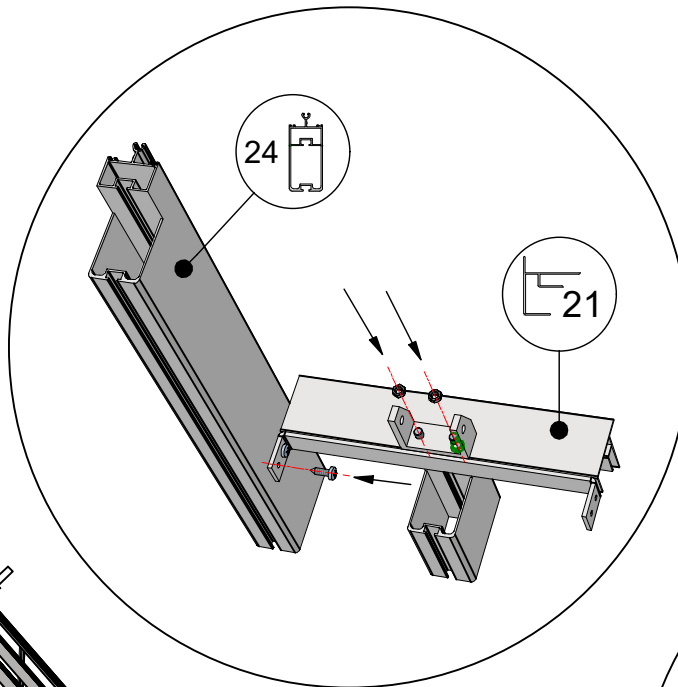
 = M6x12

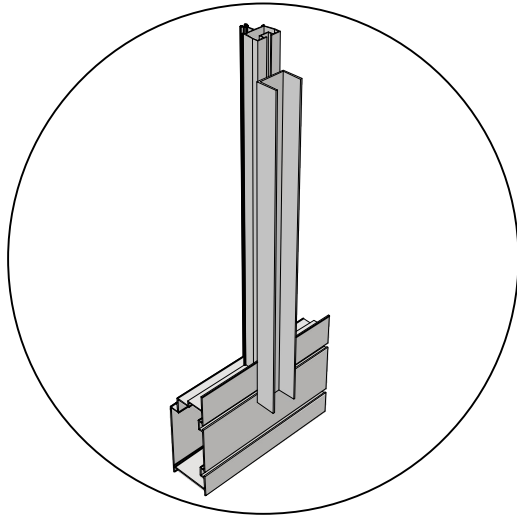







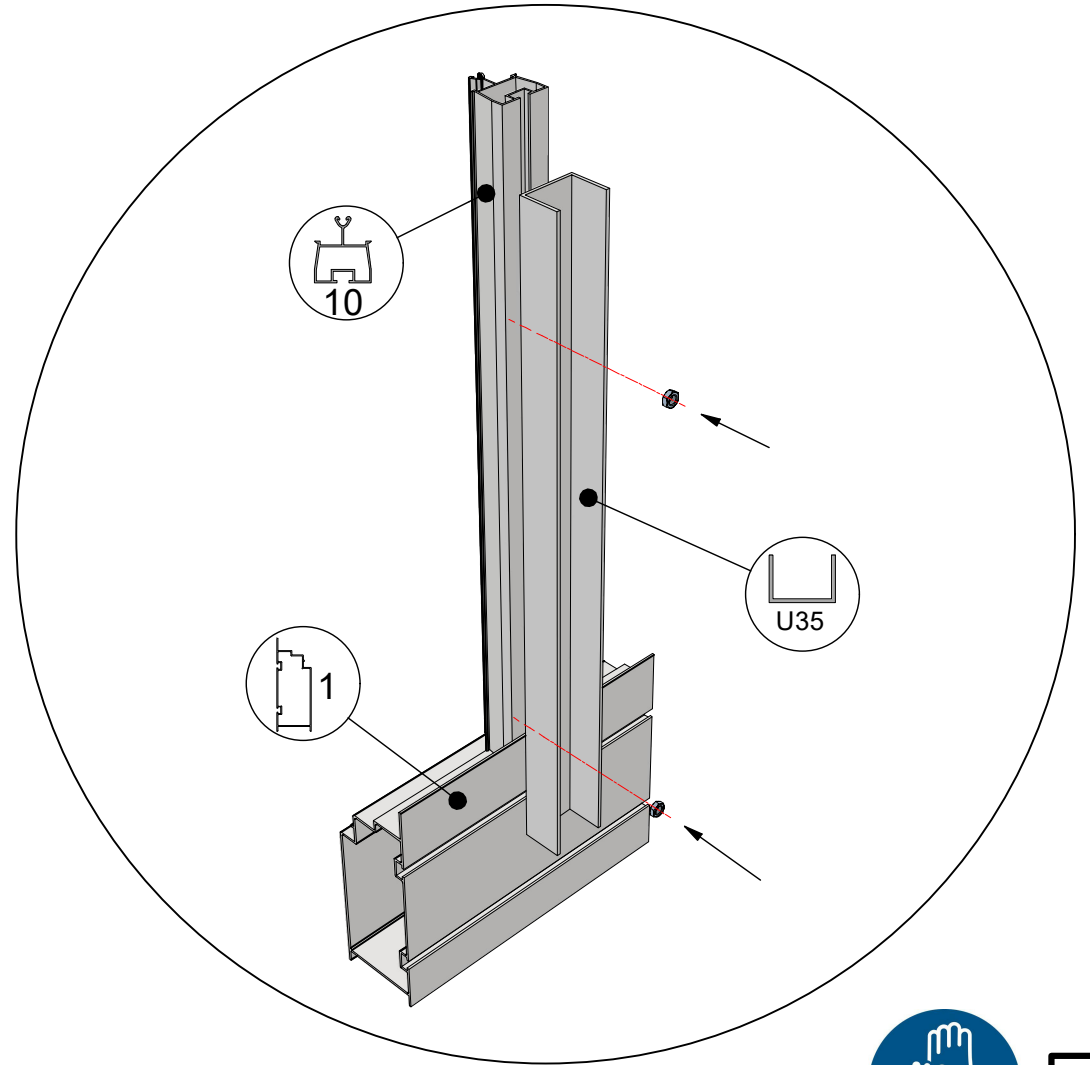
M6x12 = 


Ø = 6,5mm 
Ø = 4mm

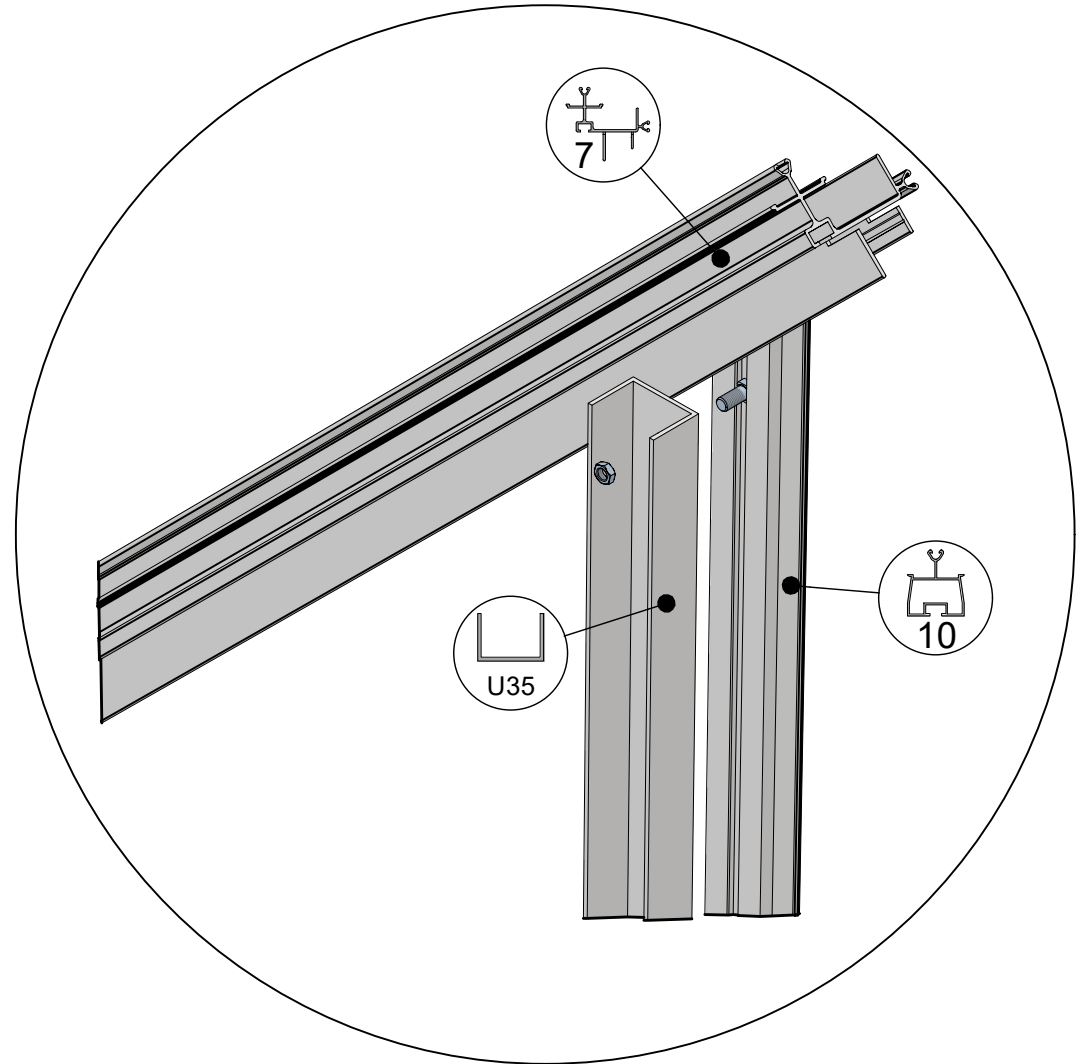




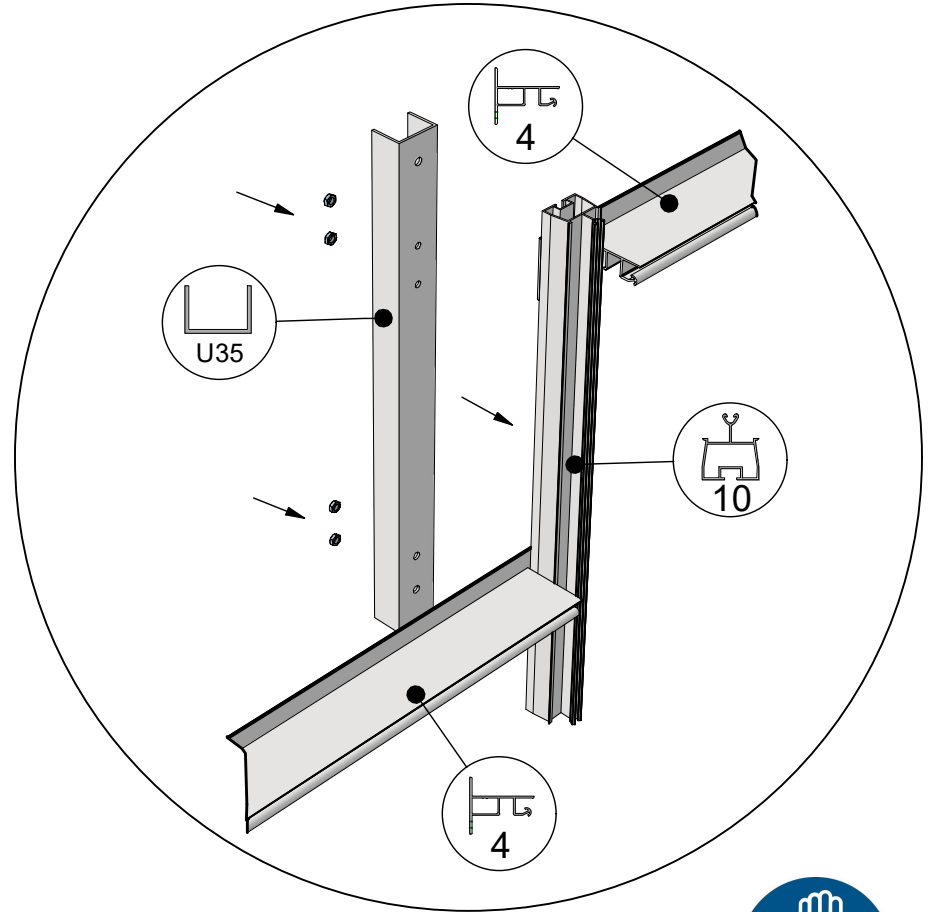
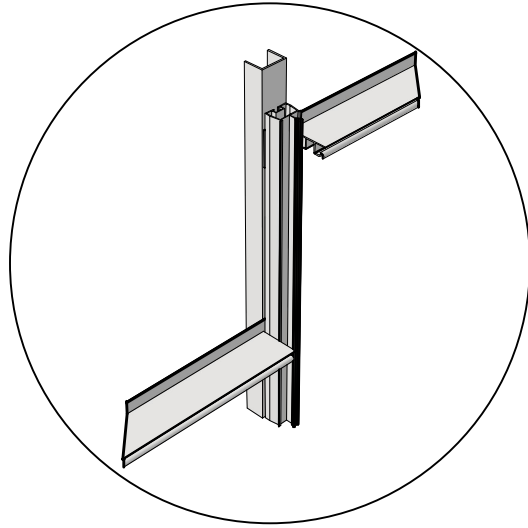
   = M6x12

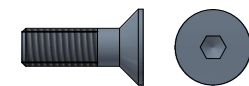


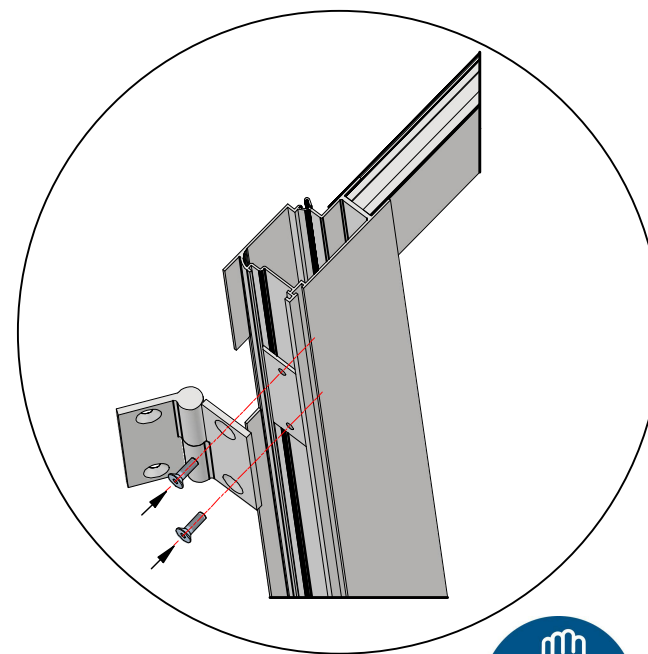
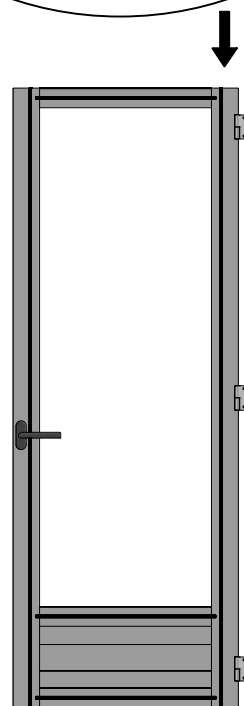
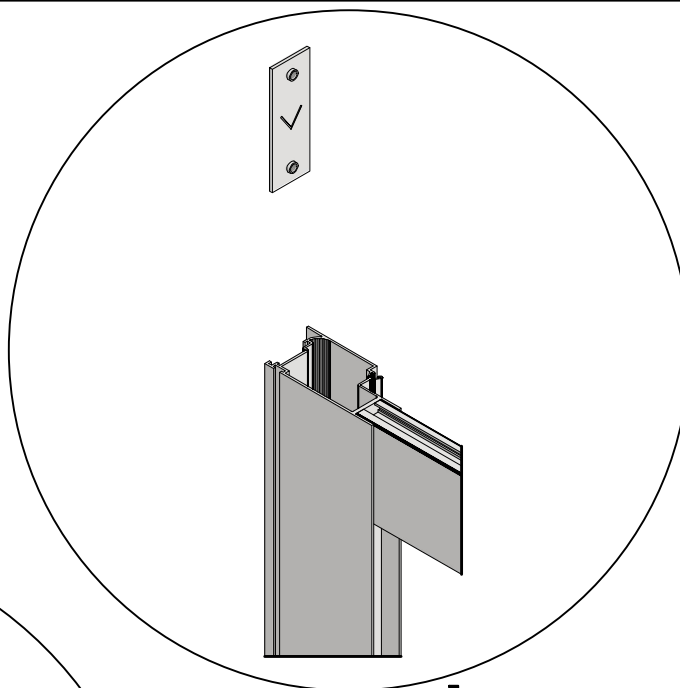
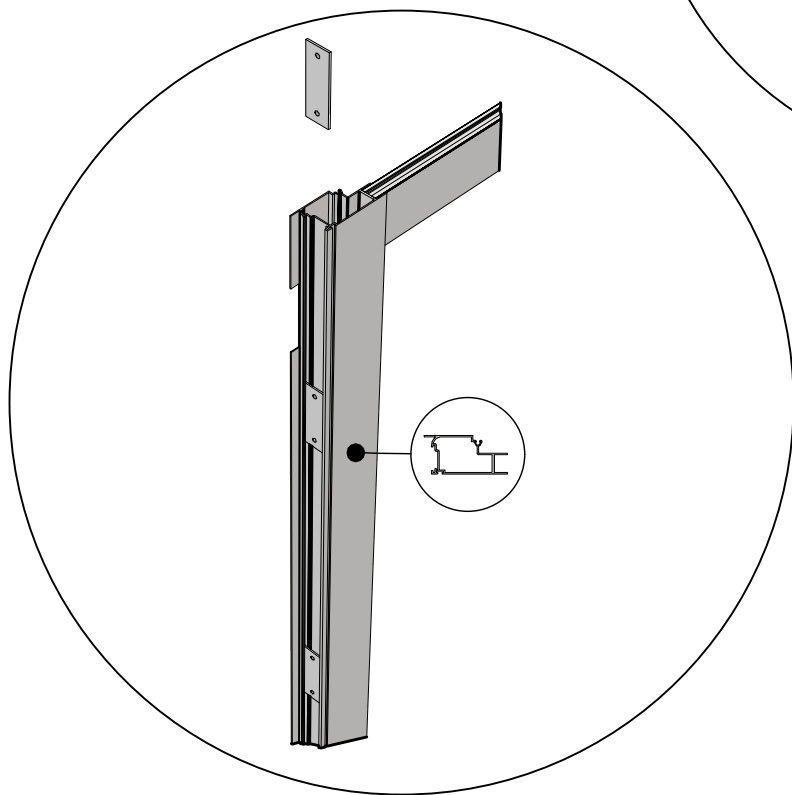
 = M6x12

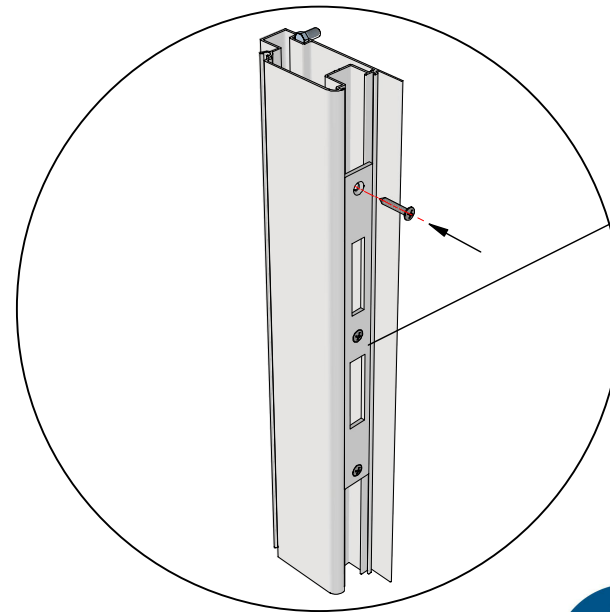
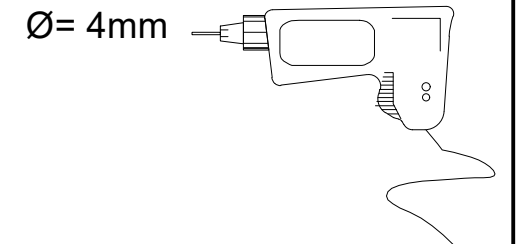
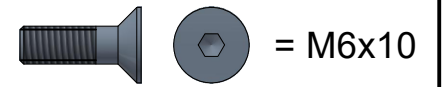
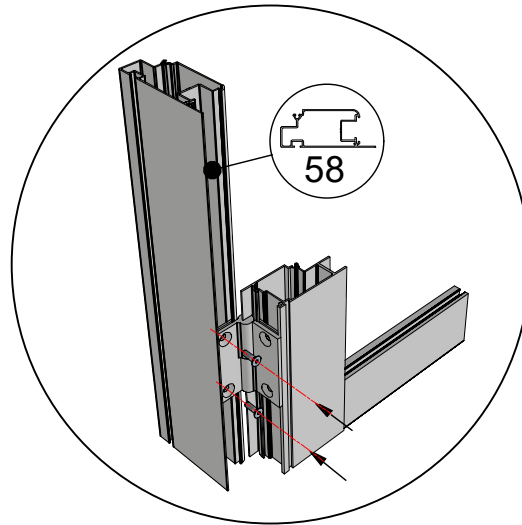
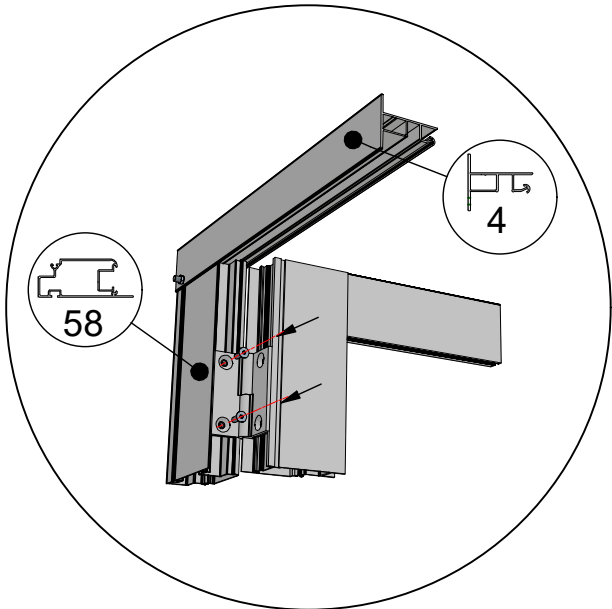


 = M6x12

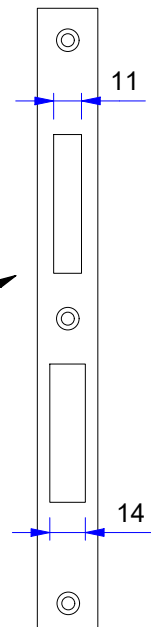


 = M6x10





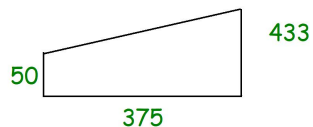
top



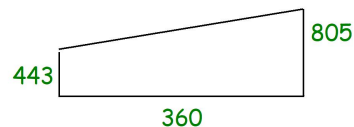
Glass Dimensions Nv Euro-serre		Euro-Rustic Special			3,09m	GlassH: 1450						
Glass Size 730mm		Sides		Single	Roof	Size Lenght x Wide			Poly		m ²	m ²
		1450 x 360	2080 x 290	1615 x 620		2110 x 360	1273 x 360	825 x 730	2110 x 360	1273 x 360		
Euro-Rustic Special	3,09m x 3,09m	28	2	1		12	4	2 or 2	12	4	16,8	12,2
Euro-Rustic Special	3,09m x 3,80m	32	2	1		16	4	2 or 2	16	4	18,9	15,2
Euro-Rustic Special	3,09m x 4,57m	36	2	1		18	6	3 or 3	18	6	21,0	18,2
Euro-Rustic Special	3,09m x 5,30m	40	2	1		22	6	3 or 3	22	6	23,1	21,3
Euro-Rustic Special	3,09m x 6,04m	44	2	1		24	8	4 or 4	24	8	25,2	24,3
											0,0	
											0,0	
											0,0	
											0,0	

Points

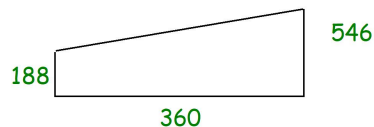
1xL+1xR



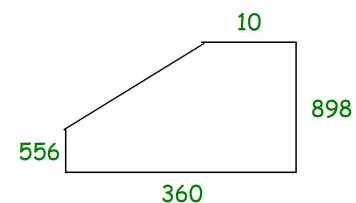
1xL+1xR



1xL+1xR



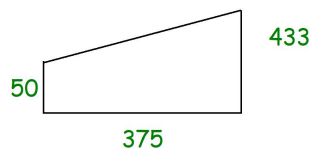
1xL+1xR



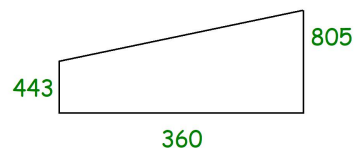
4,79 m²

Points

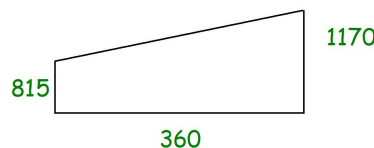
1xL+1xR



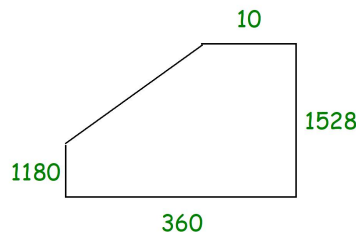
1xL+1xR



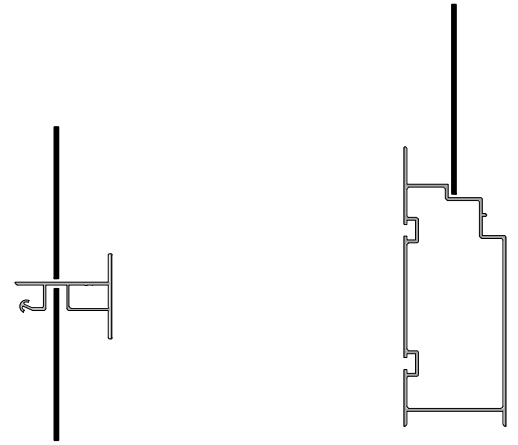
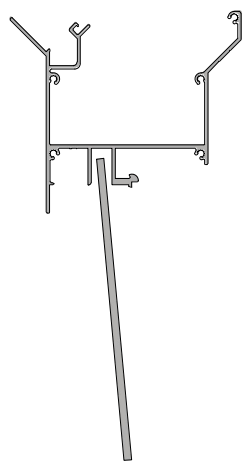
1xL+1xR

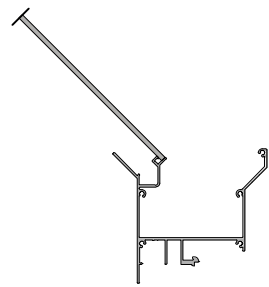
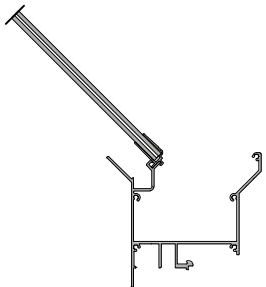
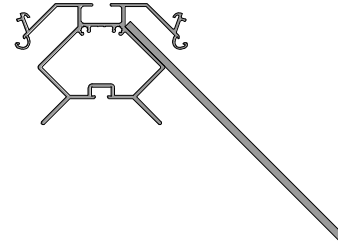


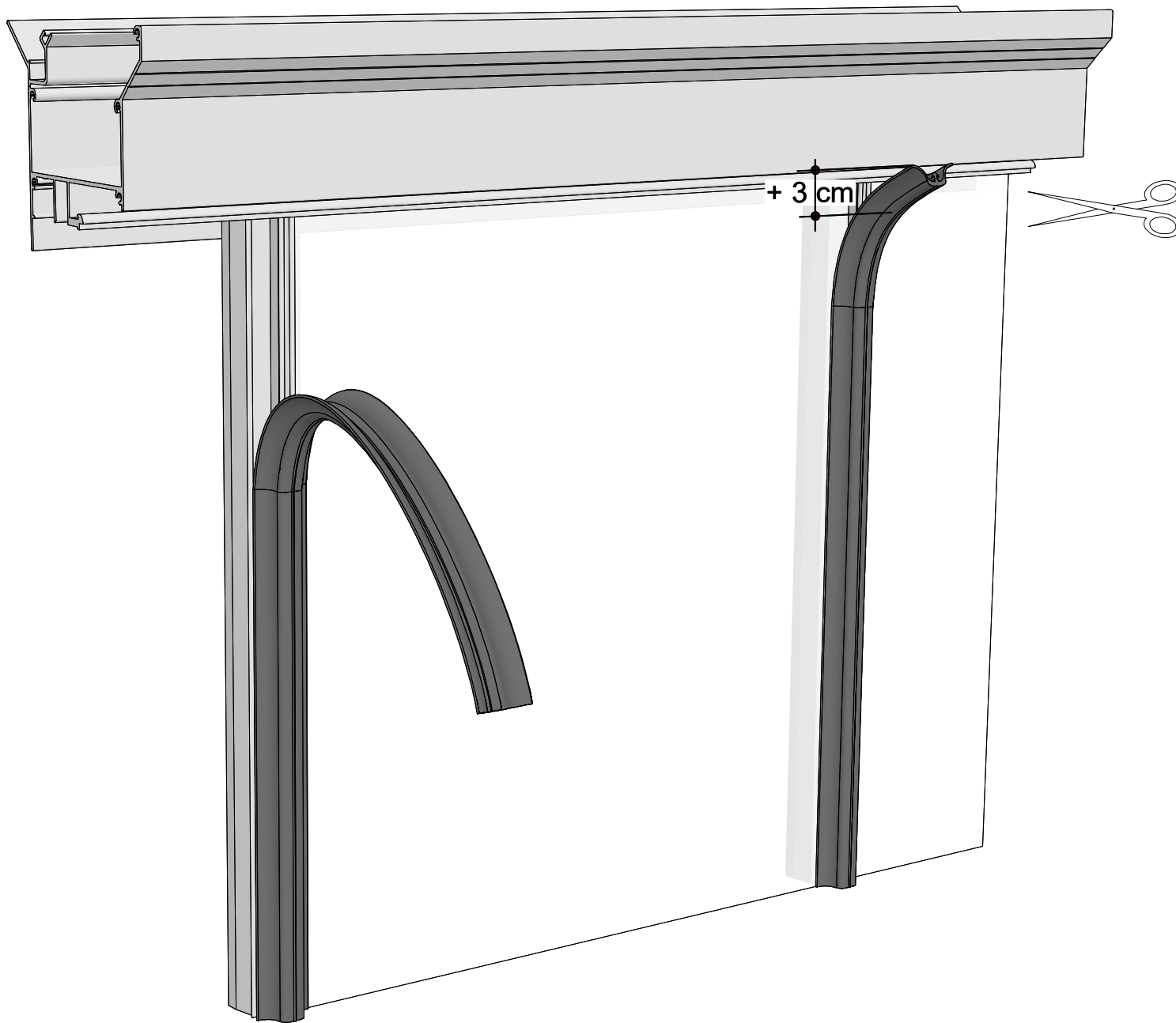
1xL+1xR

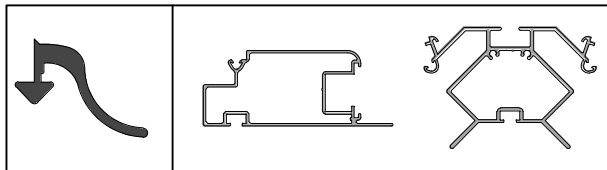
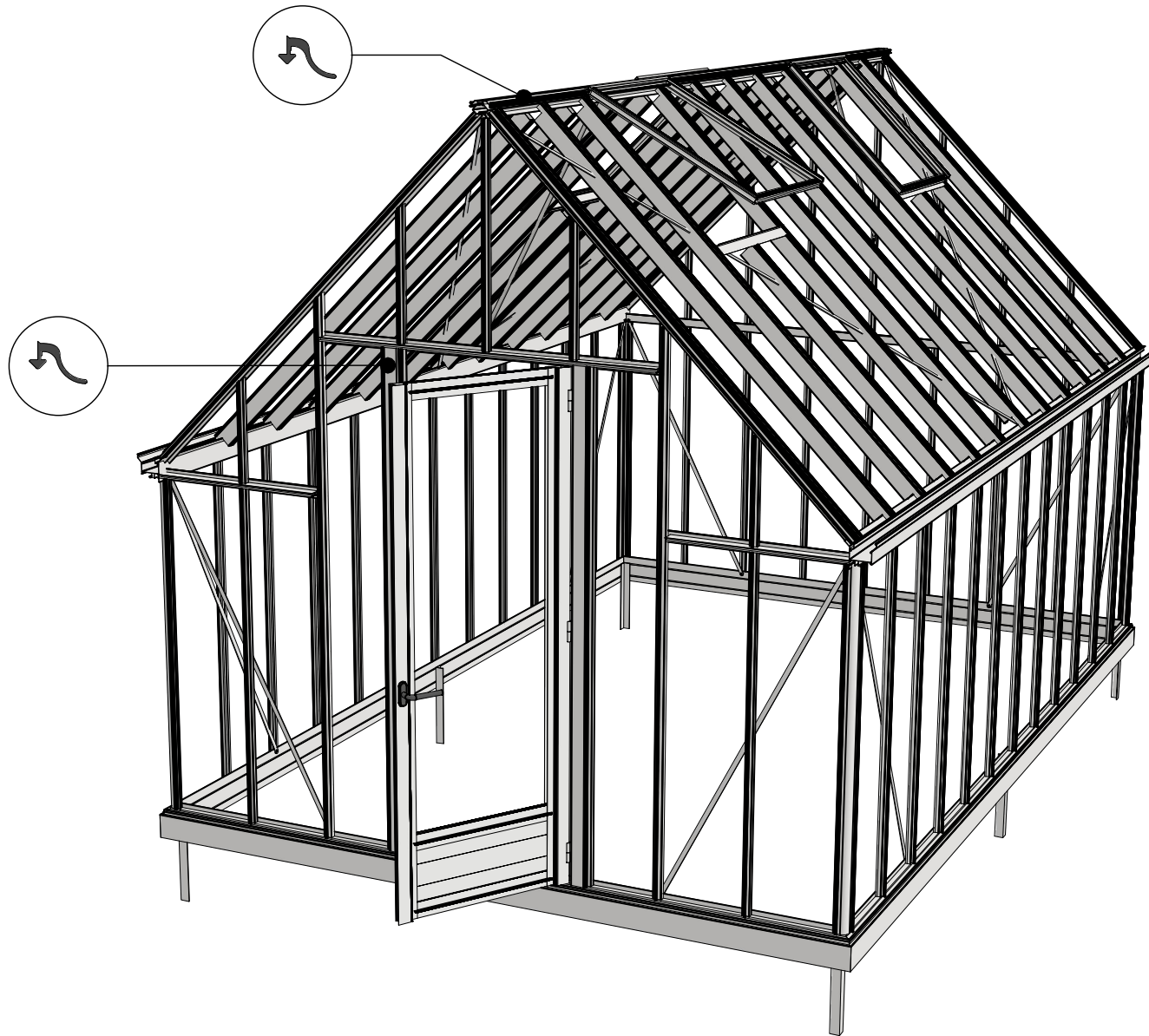


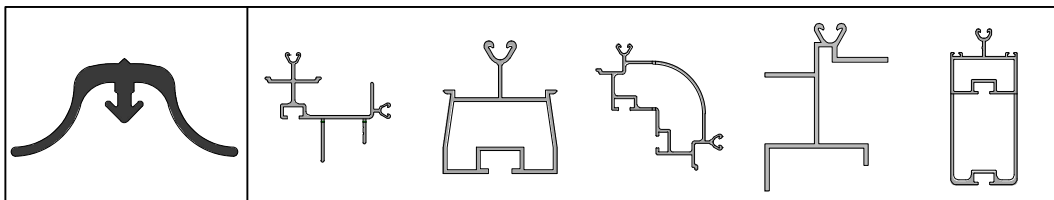
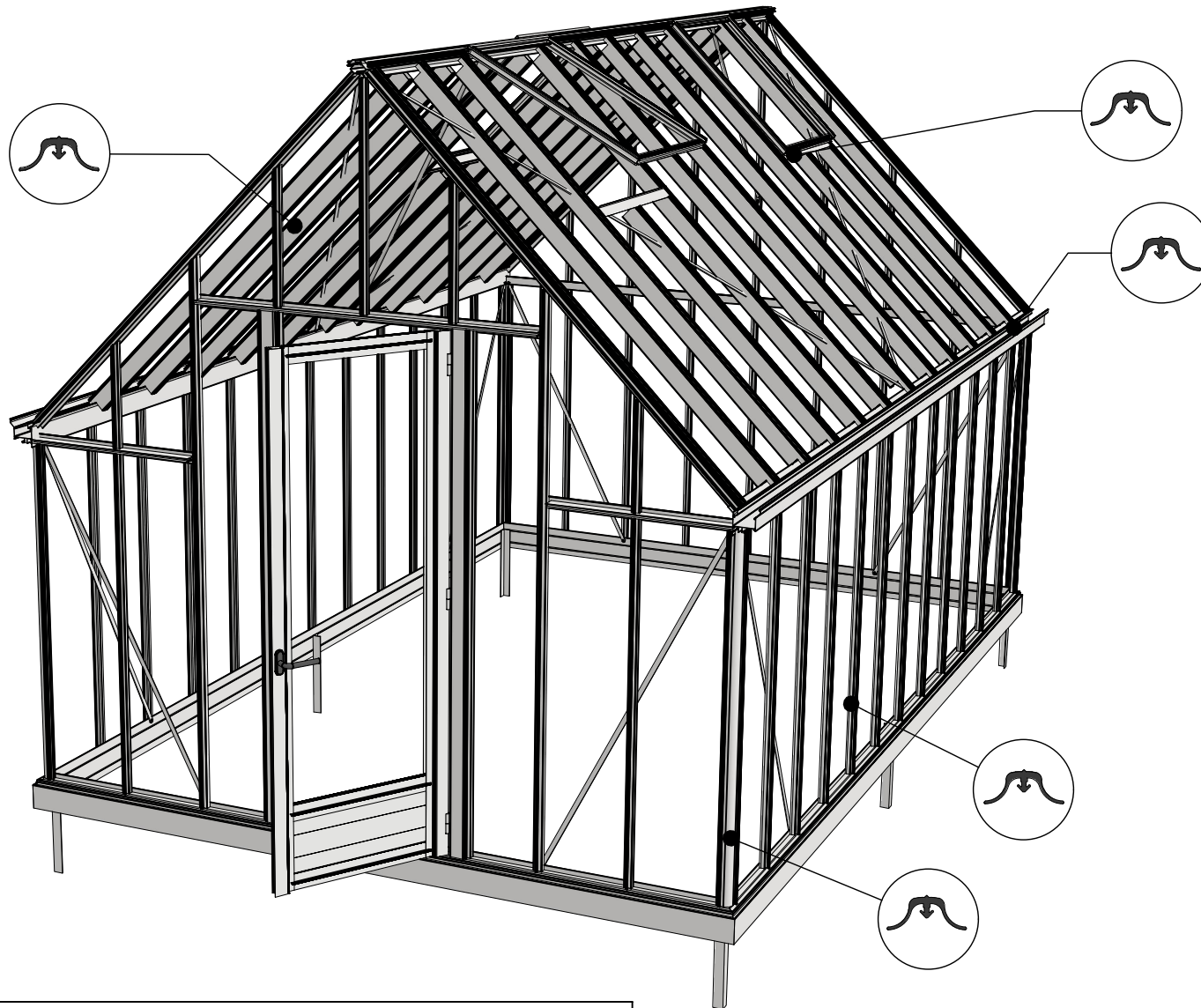
Opgemaakt op 29-06-2022

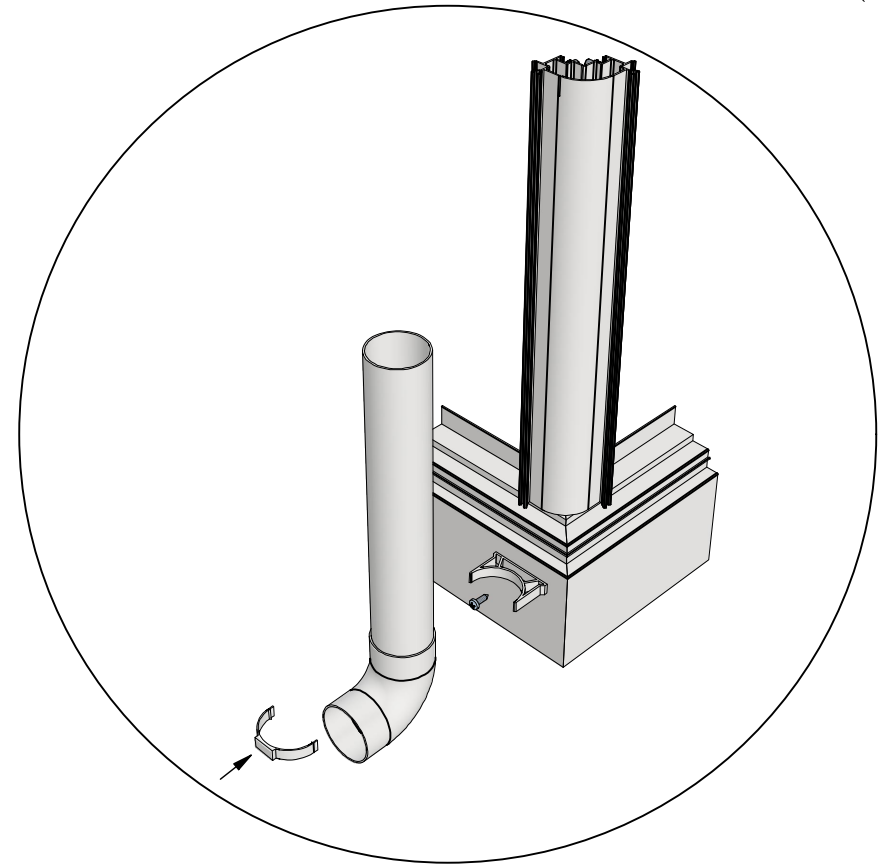
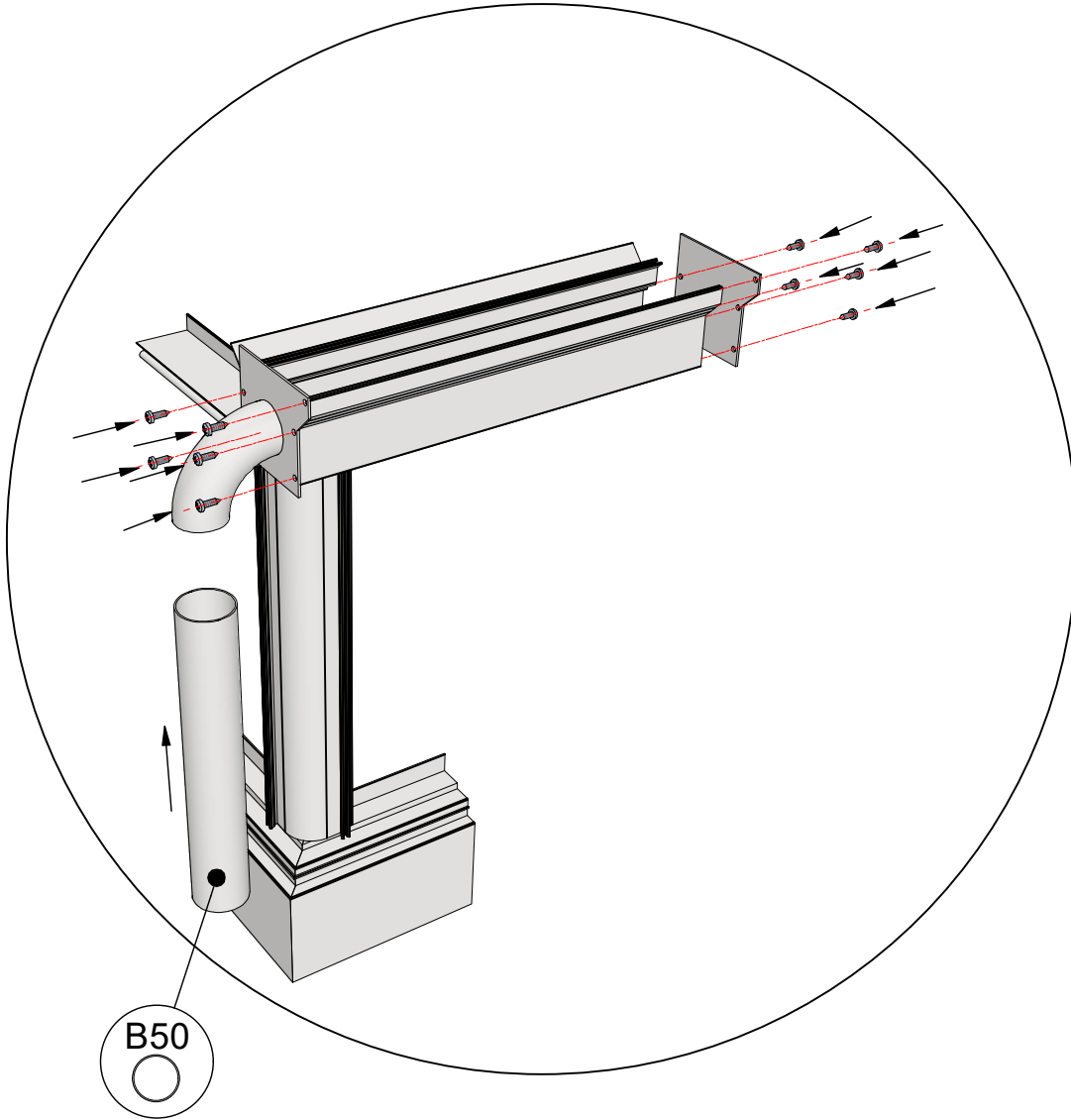
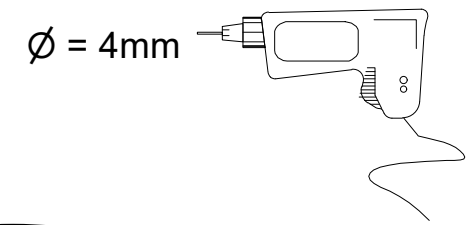




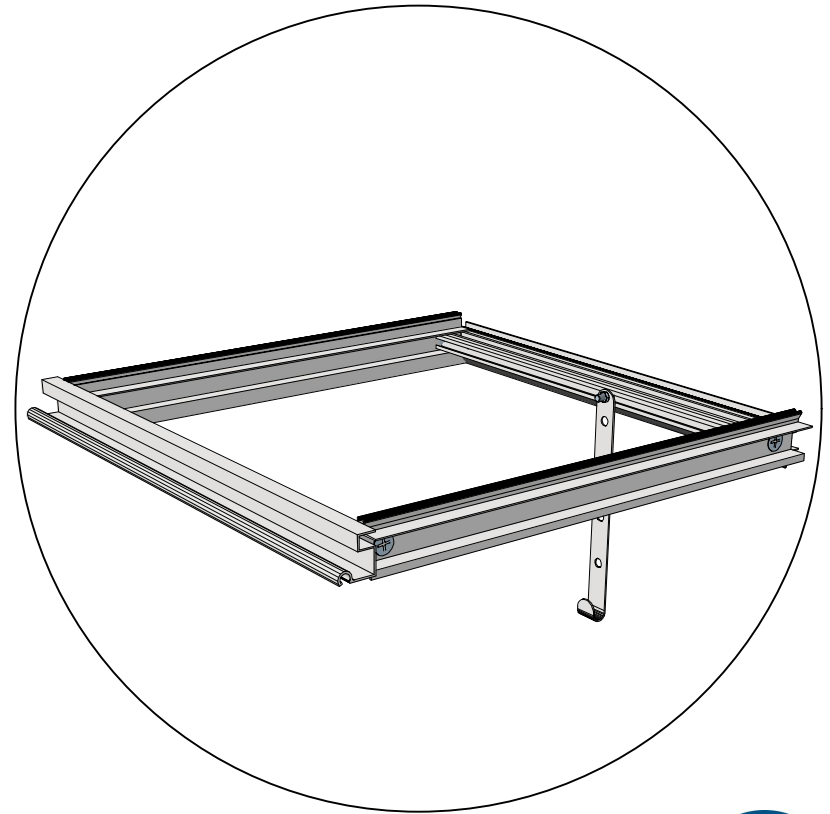
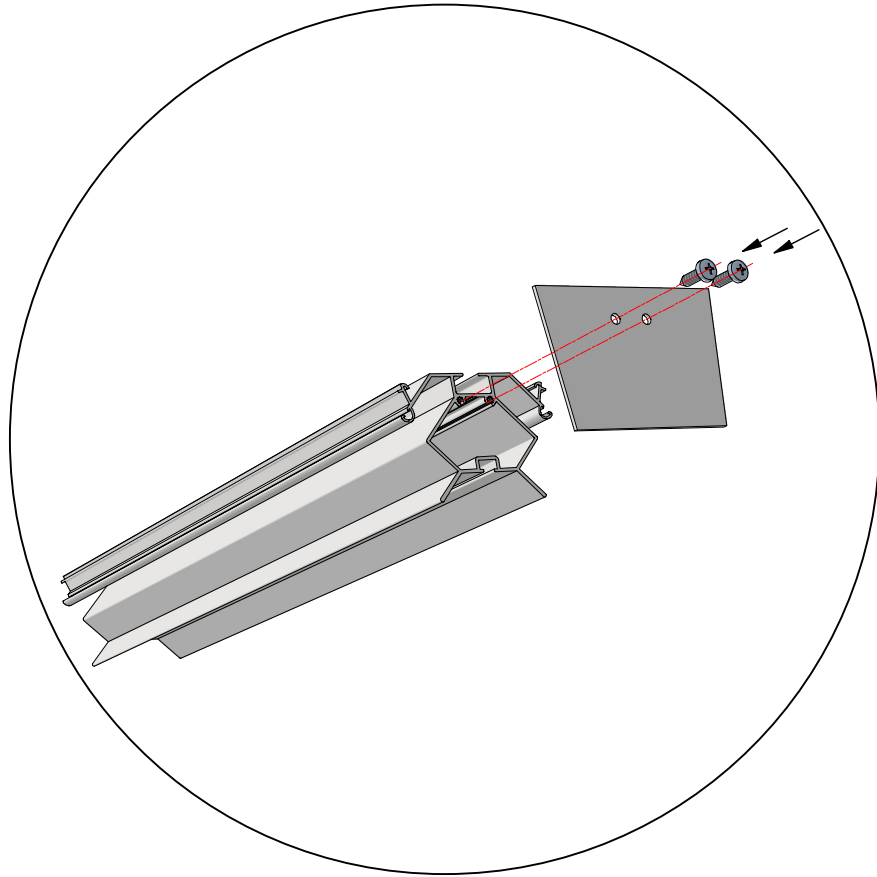








40





Geleenlaan 1 - 3600 Genk

ref: Rustiq Special-001 Rev. 05.10.2023

OCBS - 1148-CPR-20231003-989 (€

EN 1090-1 EXC 1

Euro-Rustiq Special

www.euroserre.com/cecificaten