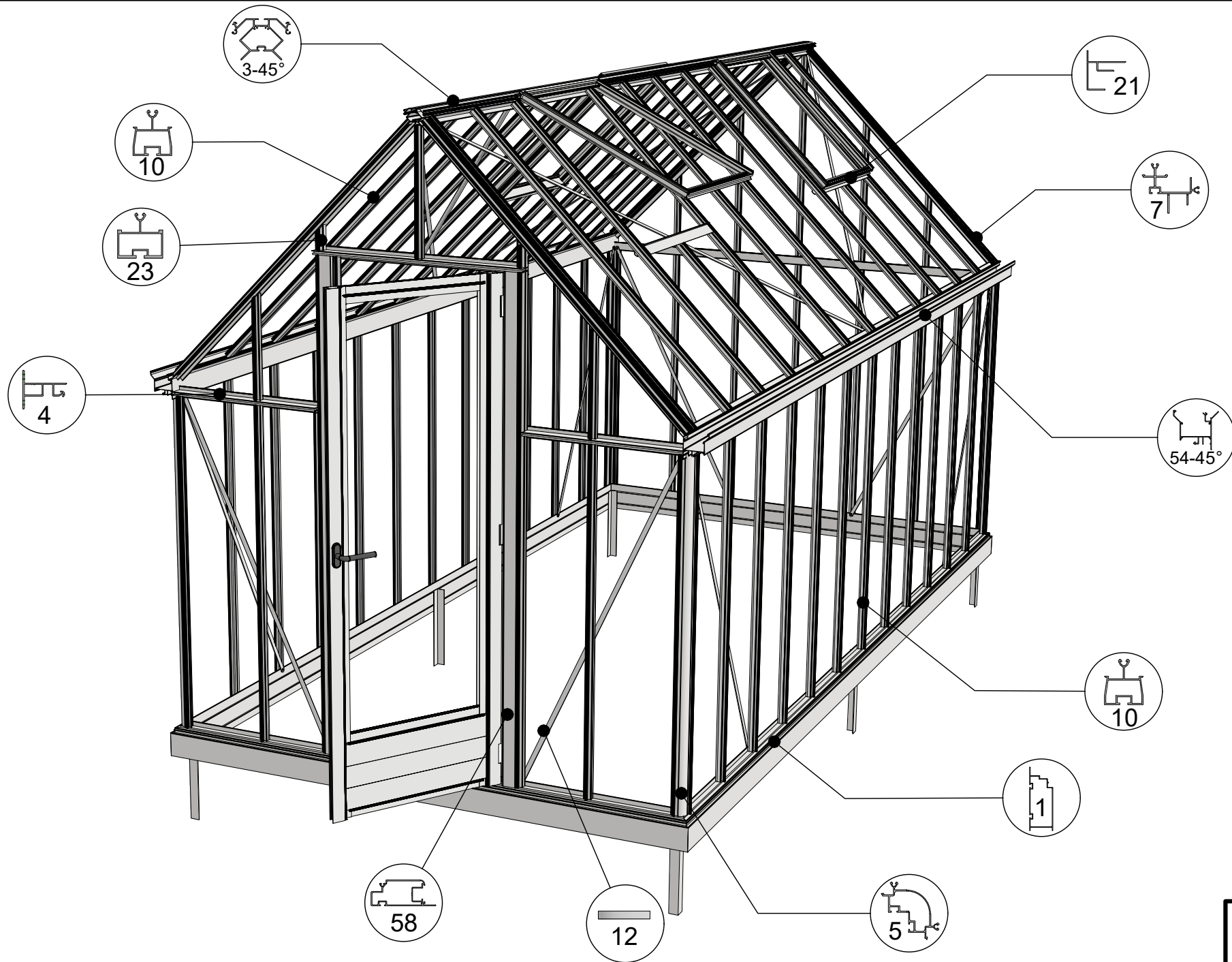


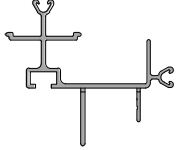
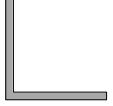
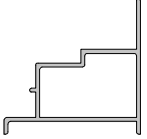
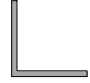
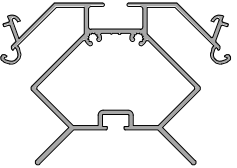
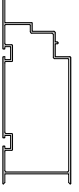

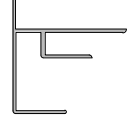
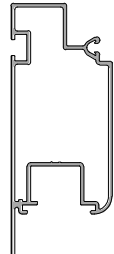

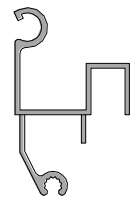
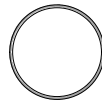
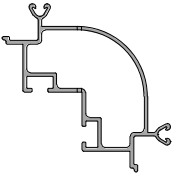
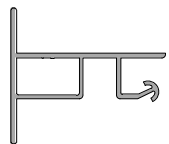
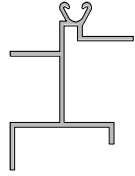
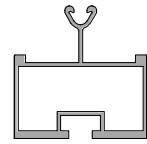
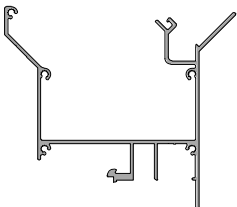
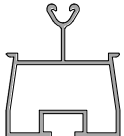
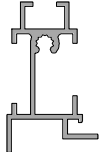
Euro-Rustiq 2,36 special.



15-11-2023



Profile list

-	NR	Profile NR	-	NR	Profile NR	-	NR	Profile NR	-	NR	Profile NR
	7	7151		17	L40/40/2		1A	17552		9	L15/15/2
	3-45°	15732		1	17538		12	7070		21	29577
	58	12960		27	B 18		18	17542		40	B50
	5	17548		4	17549		19	17543		23	17703
	54-45°	17540		10	17541		20T	28513			

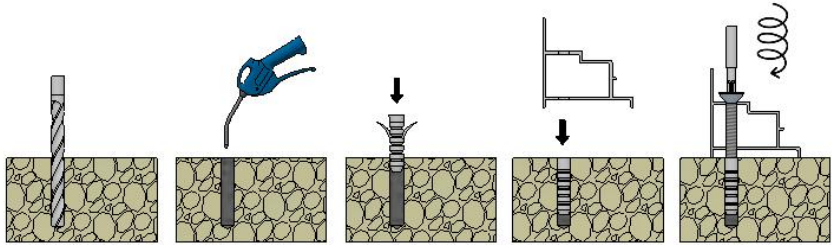
- Attention! Check inside the foundation for more profiles.
- Please fasten screws and nuts hand-tight.

- Achtung! Prüfen sie das fundament für weitere profile.
- Schraube und Mutter bitte handfest festziehen.

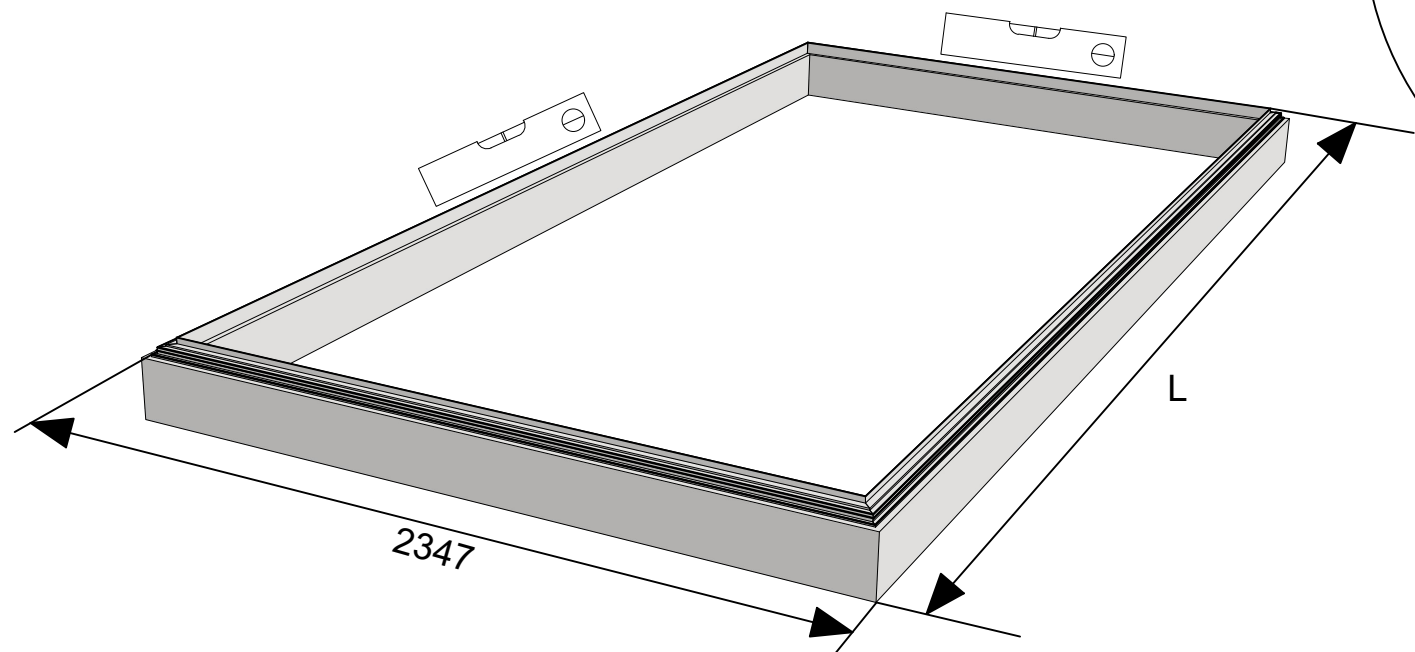
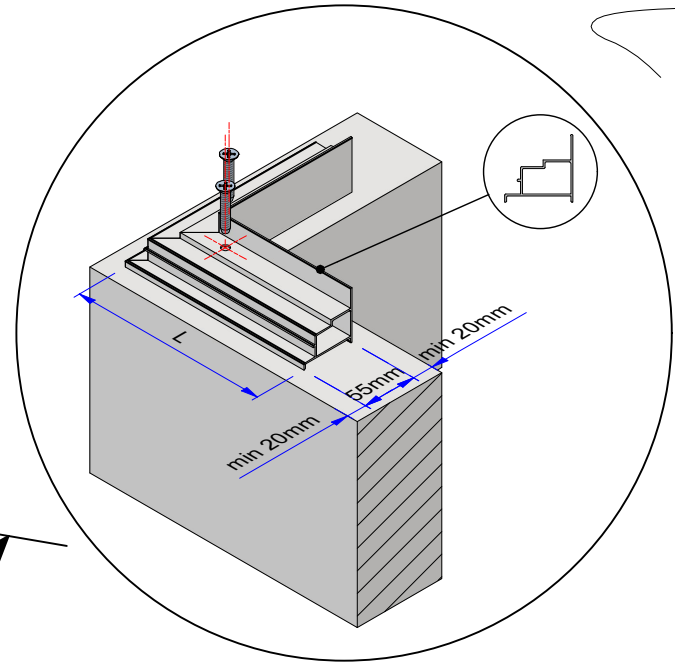
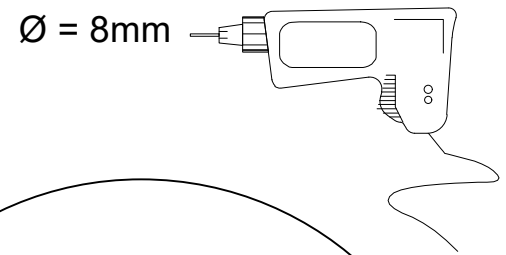
- Opgelet! kijk in de fundering voor andere profielen.
- Bout en moer a.u.b. handvast aandraaien.

- Attention! Regarde à l'intérieur du fondation pour plussier profils.
- Serrez les écrous et vis à la main s.v.p.


- Observera at en del profiler ligger i sockelprofilen!!
- Dra åt skruven och muttern handfast.

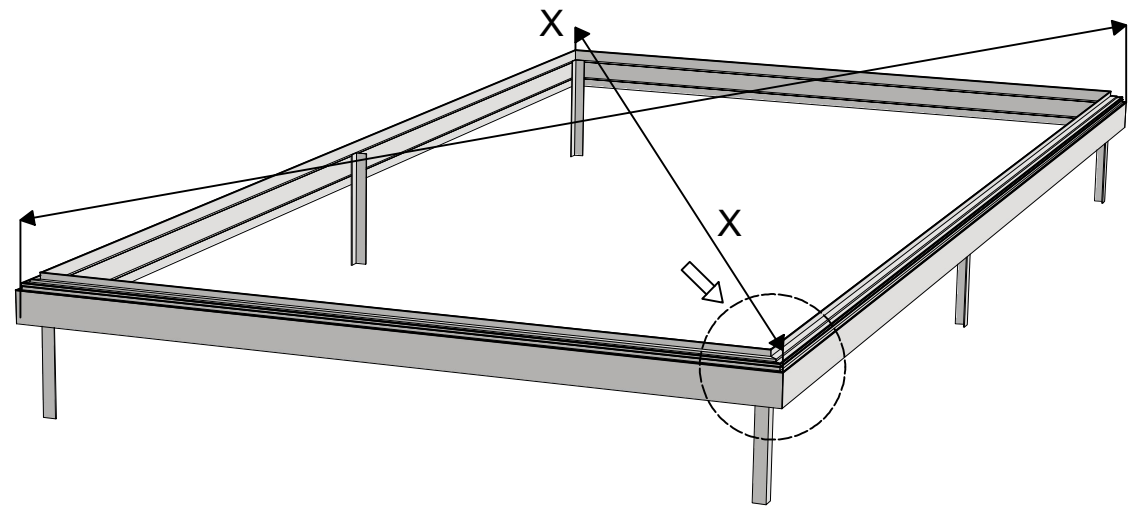
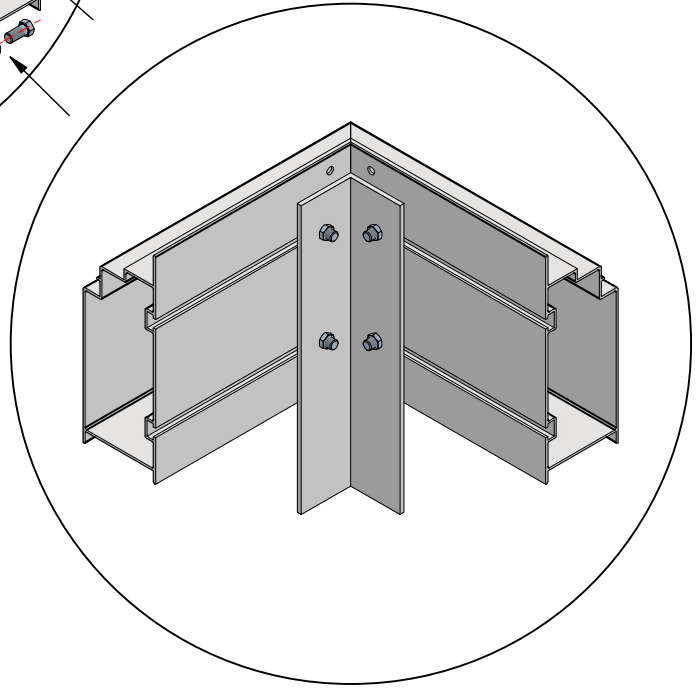
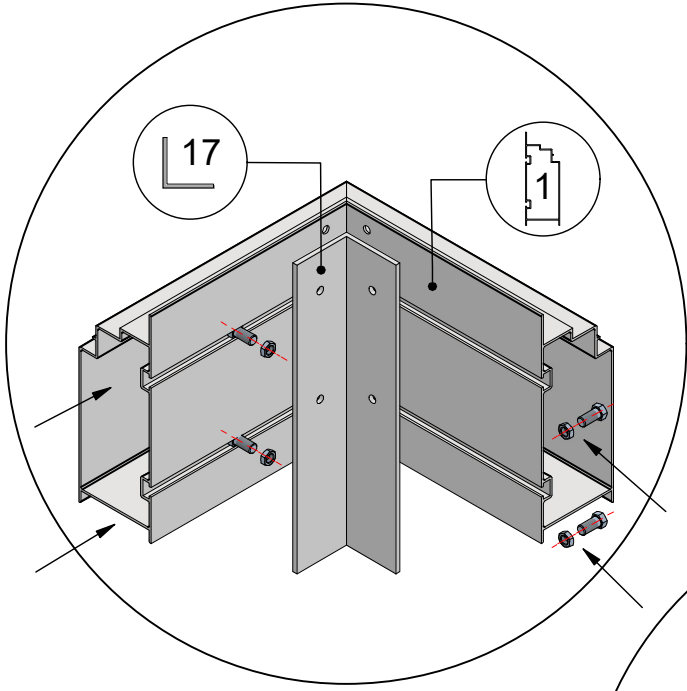
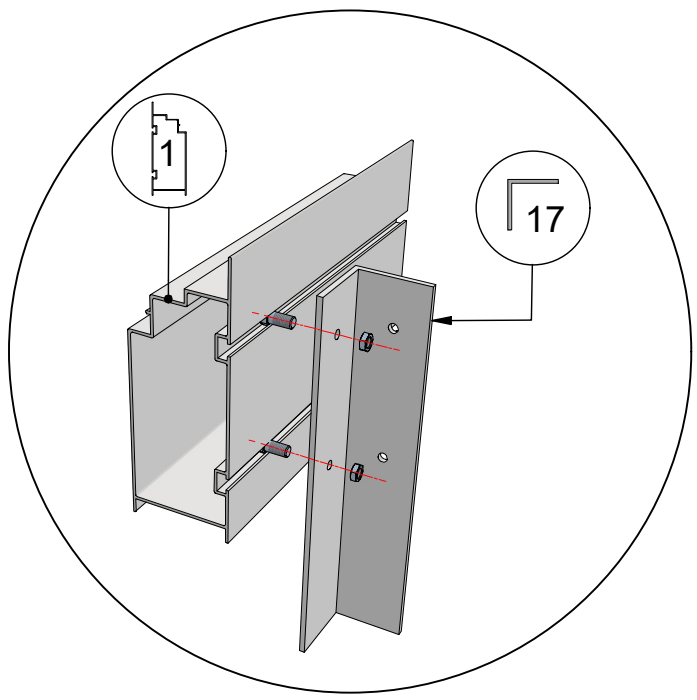


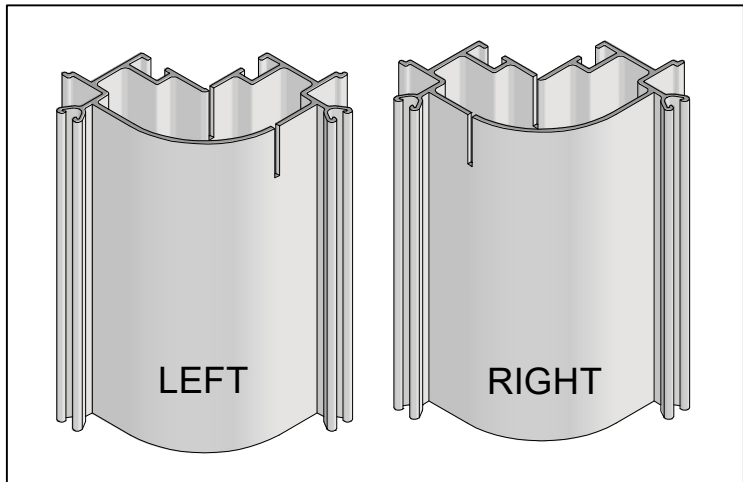
 = 8x40   = 6x120



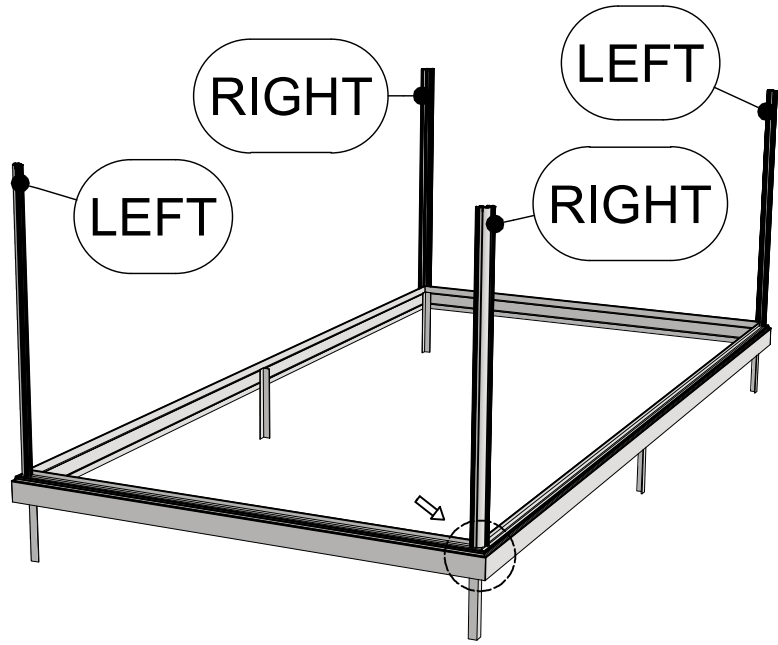
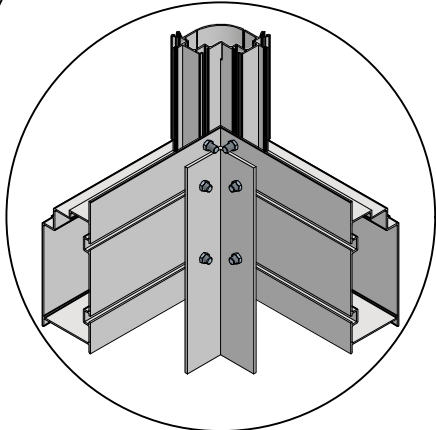
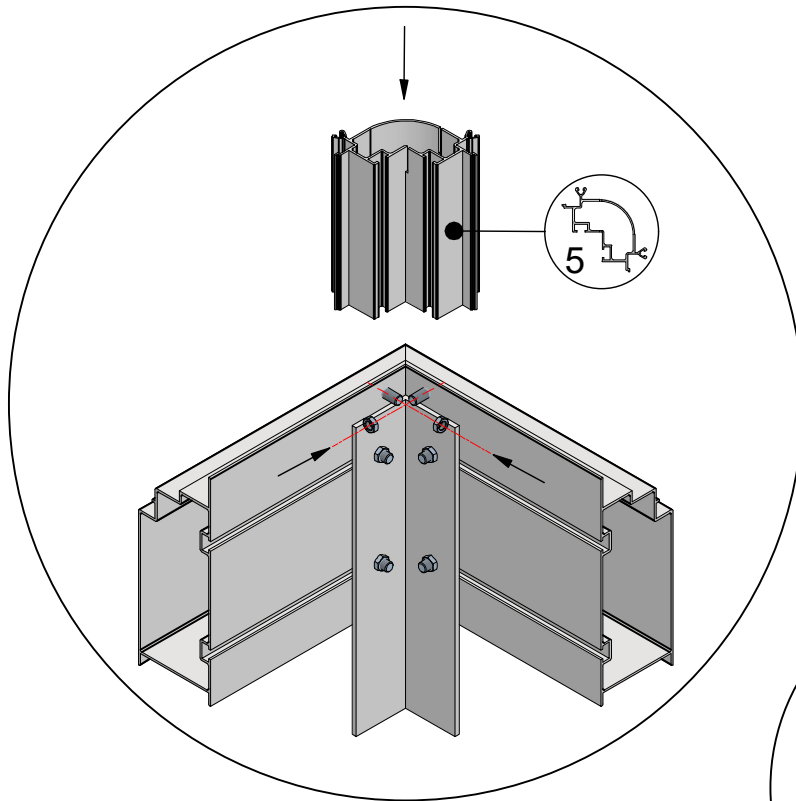
5


 = M6x12

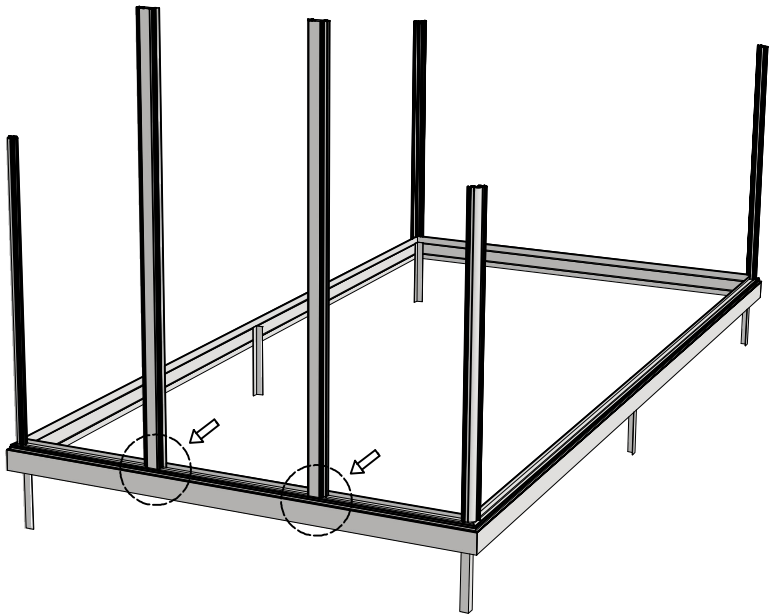
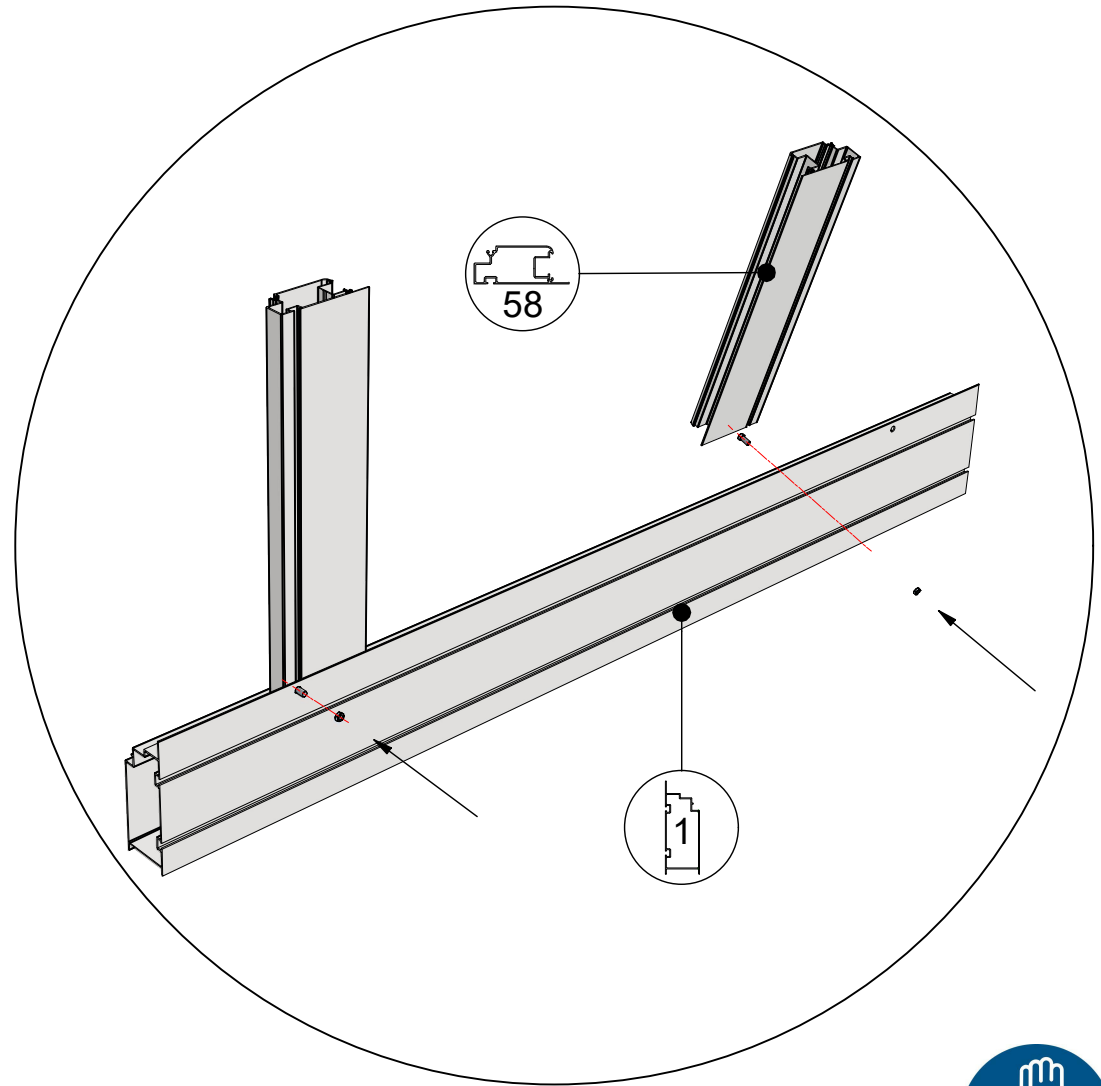
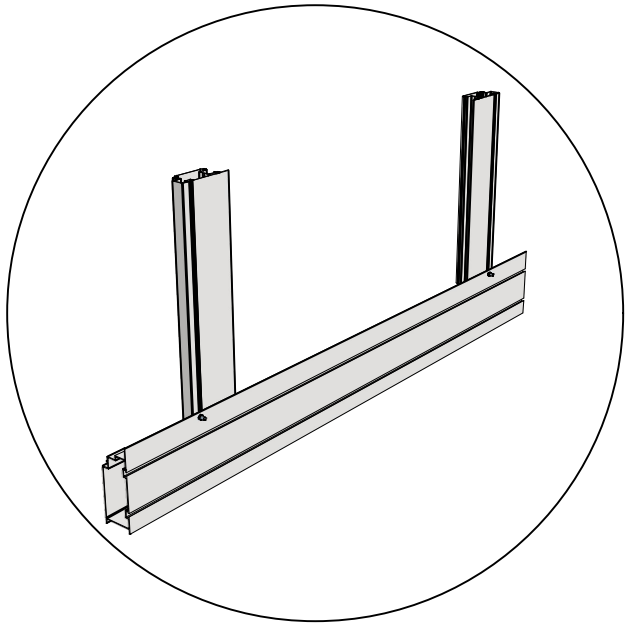




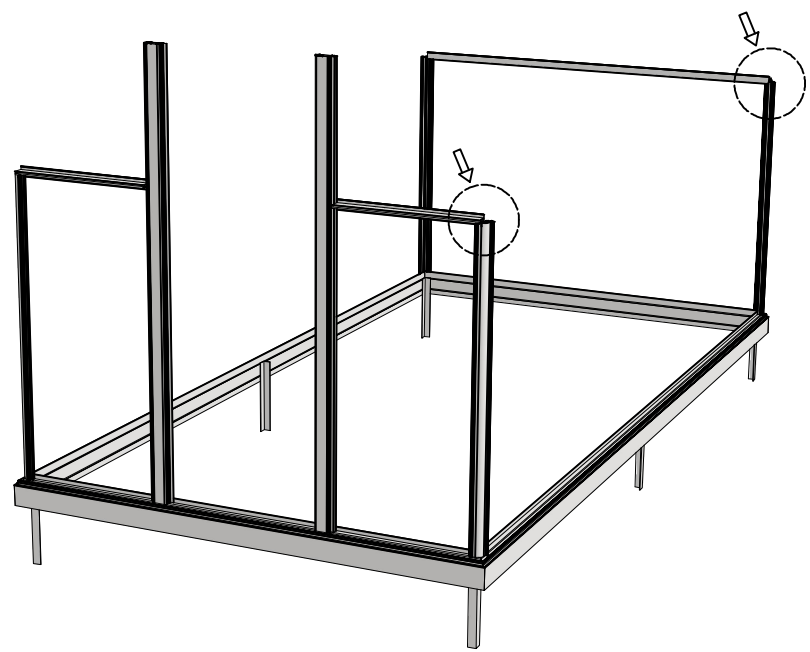
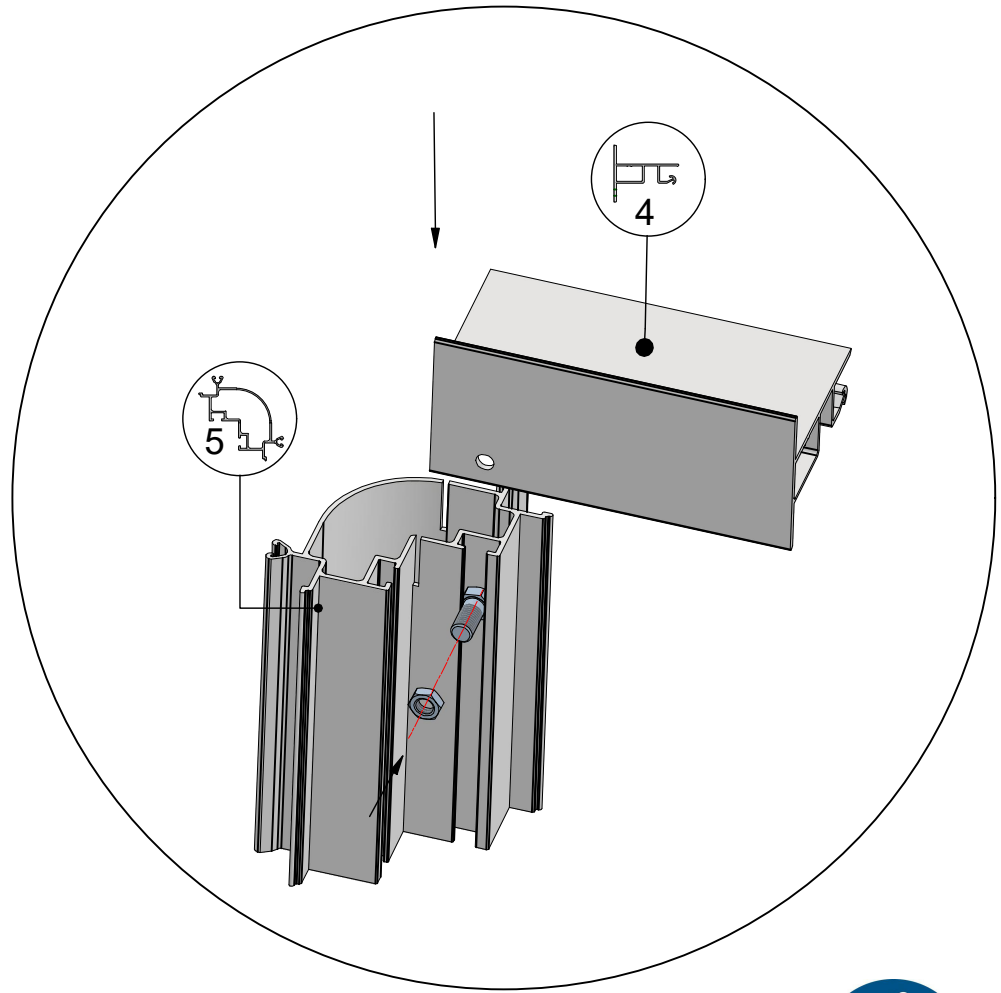
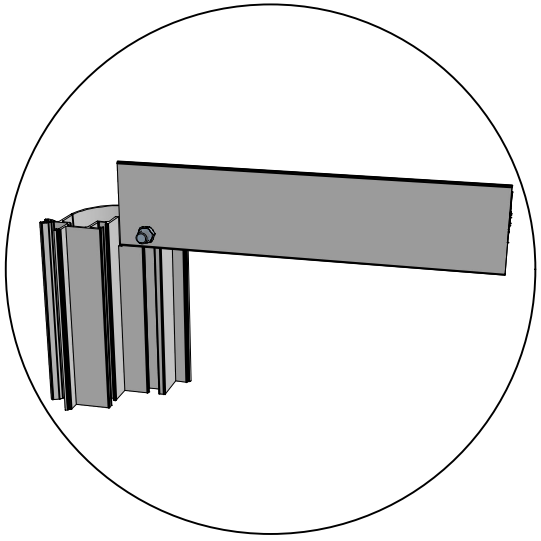
   = M6x12 (8x)




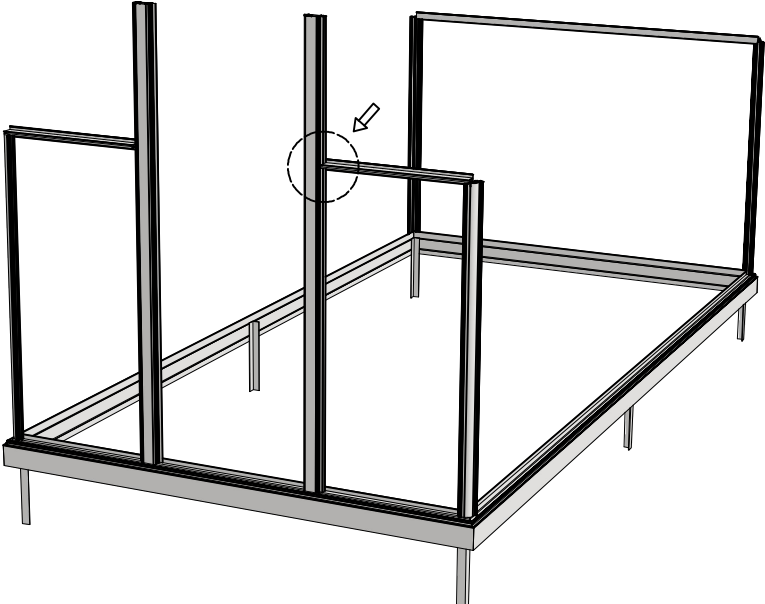
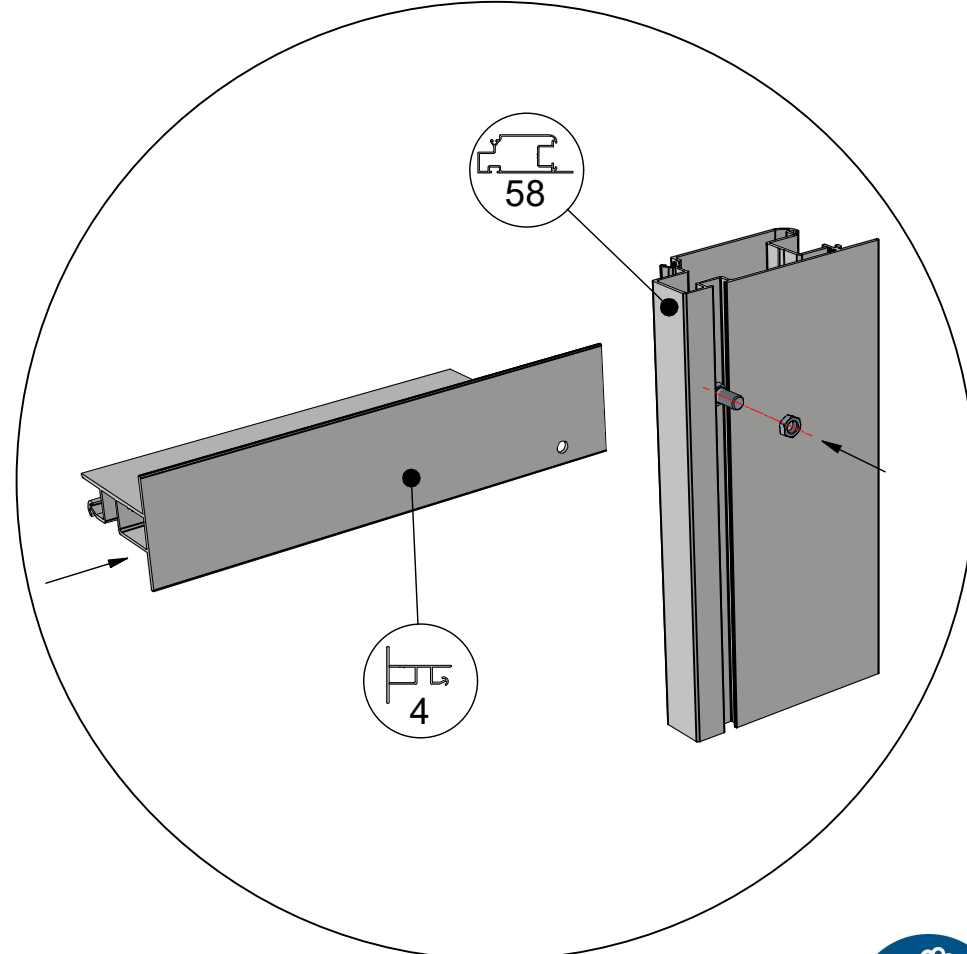
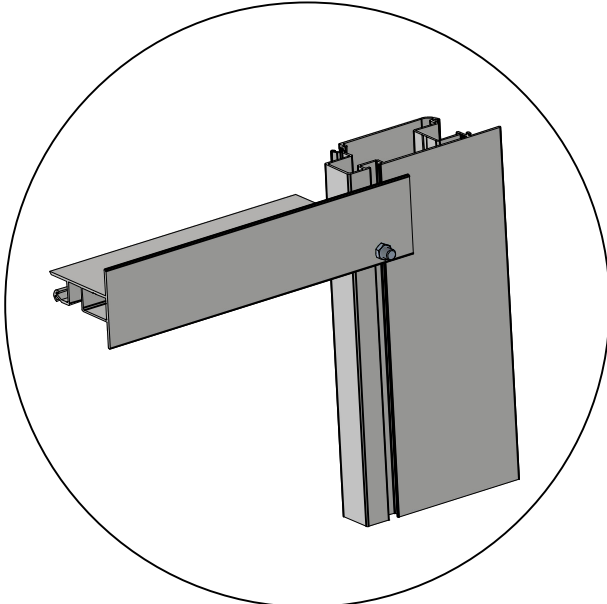
 = M6x12



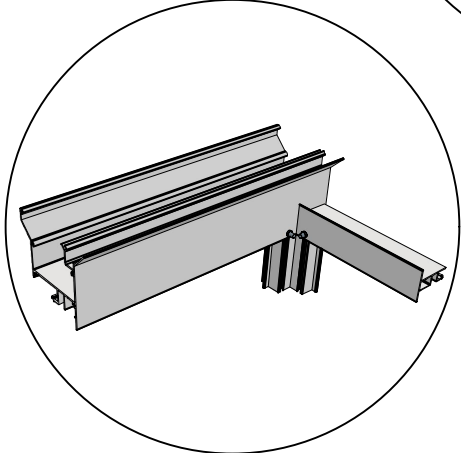
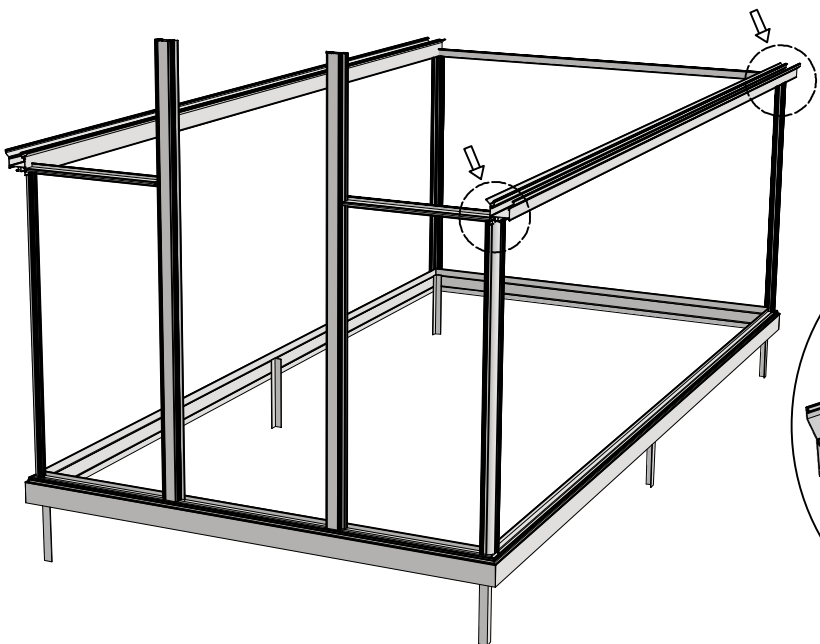
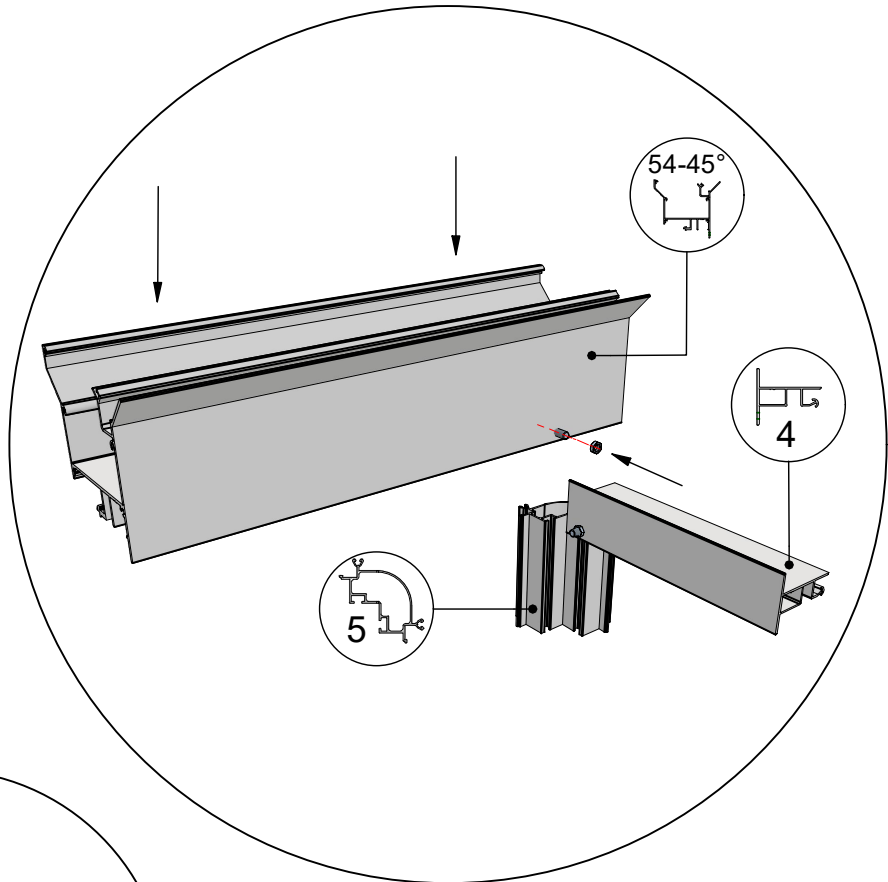
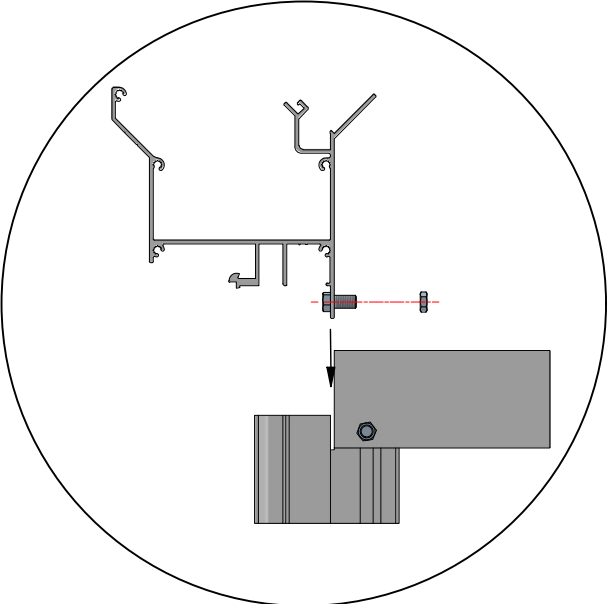
 = M6x12 (4x)

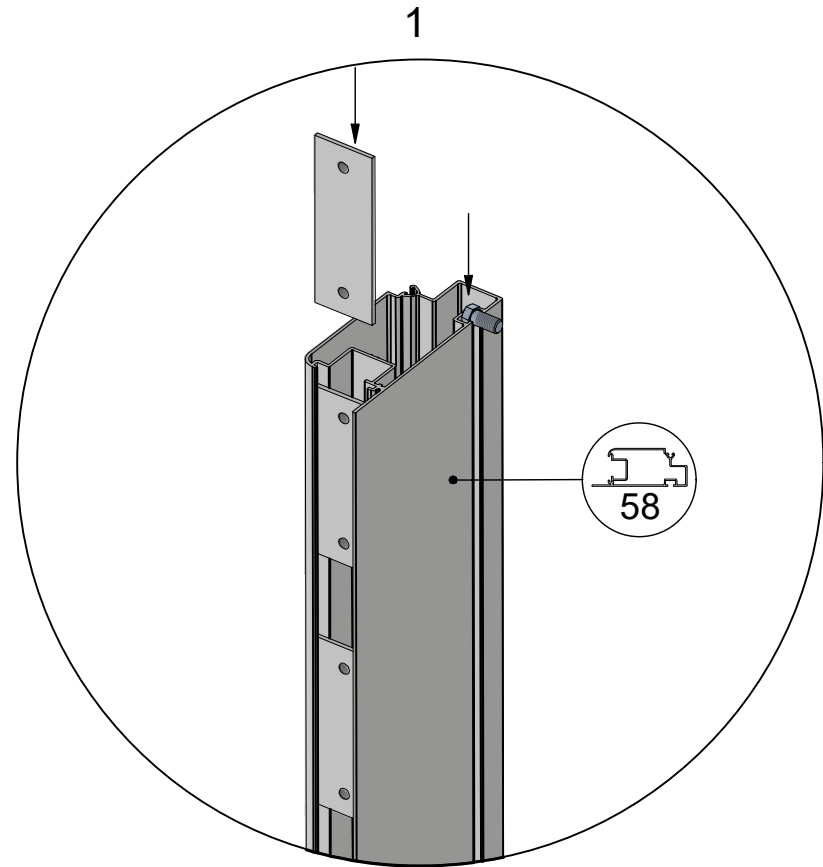
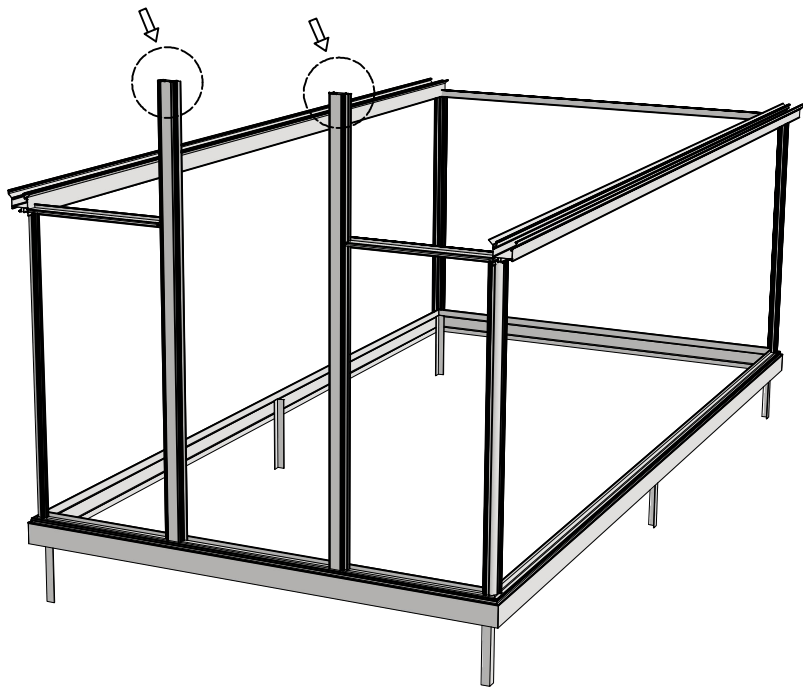
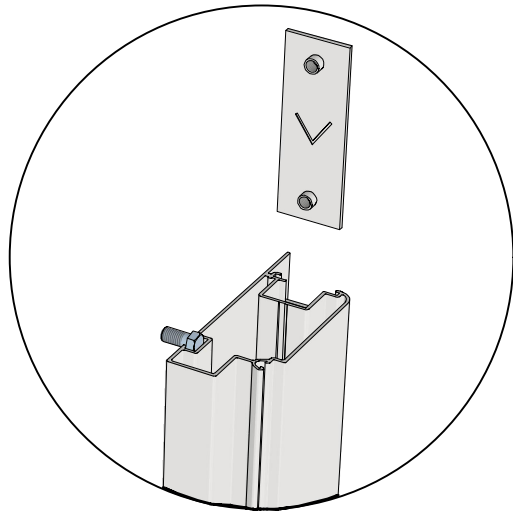


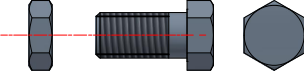
 = M6x12

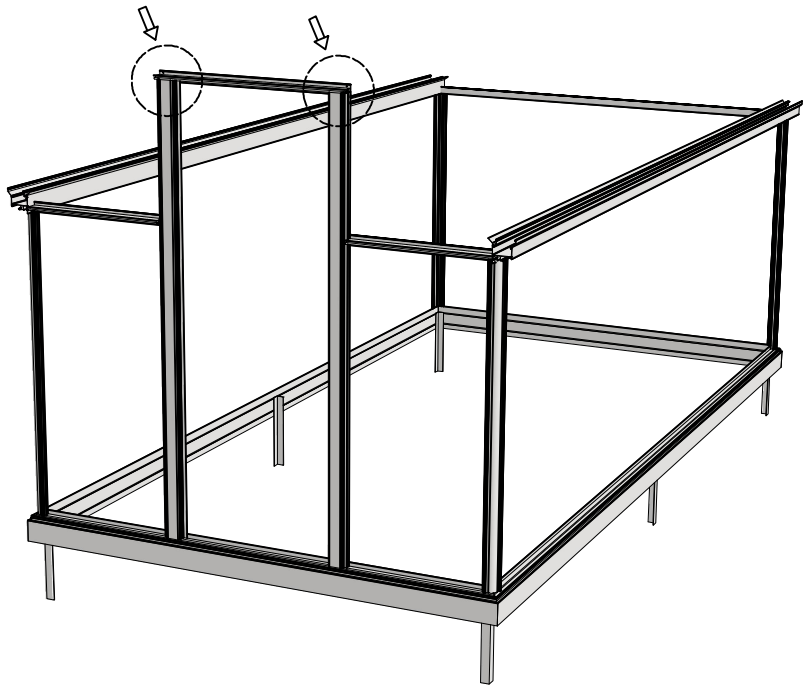
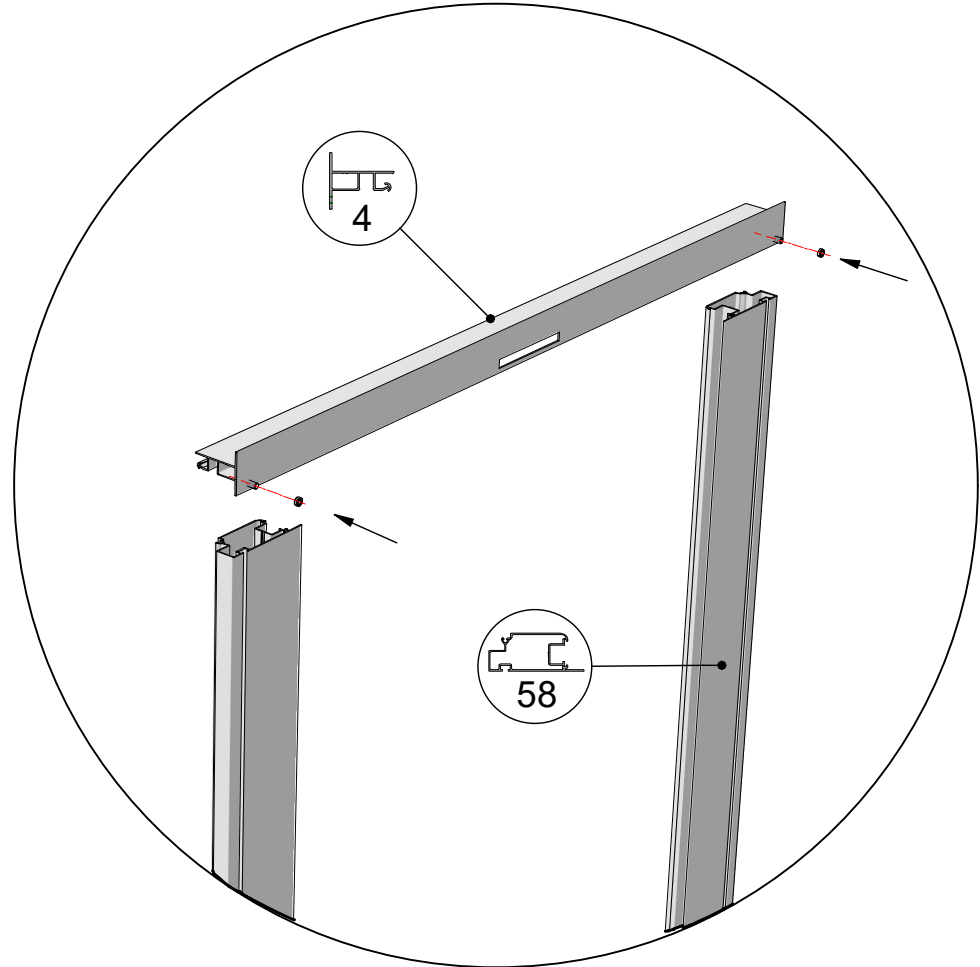
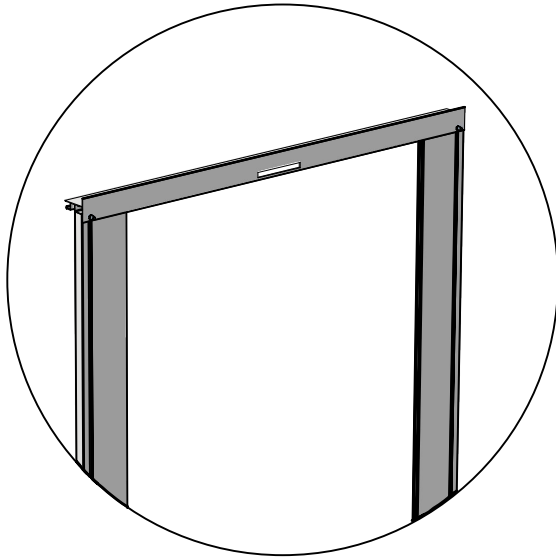


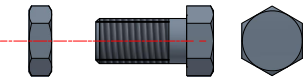
 = M6x12 (4x)

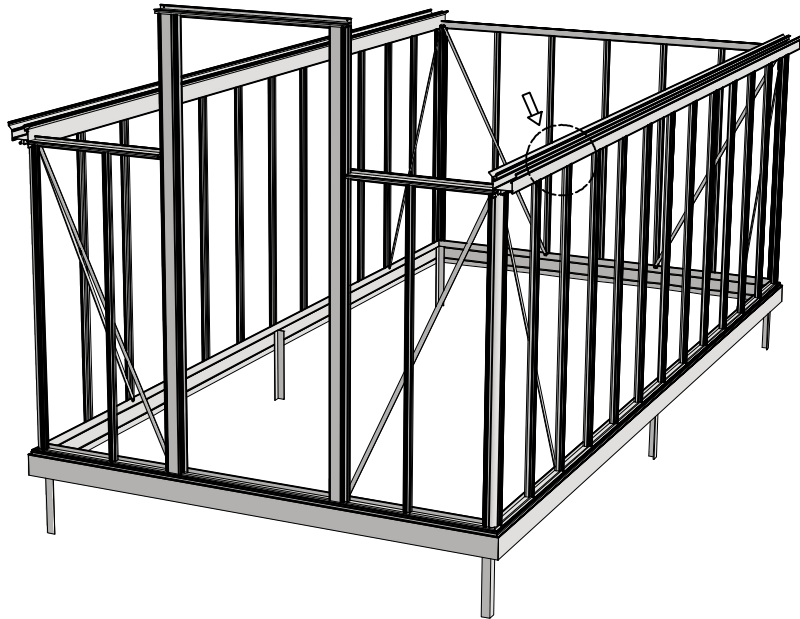
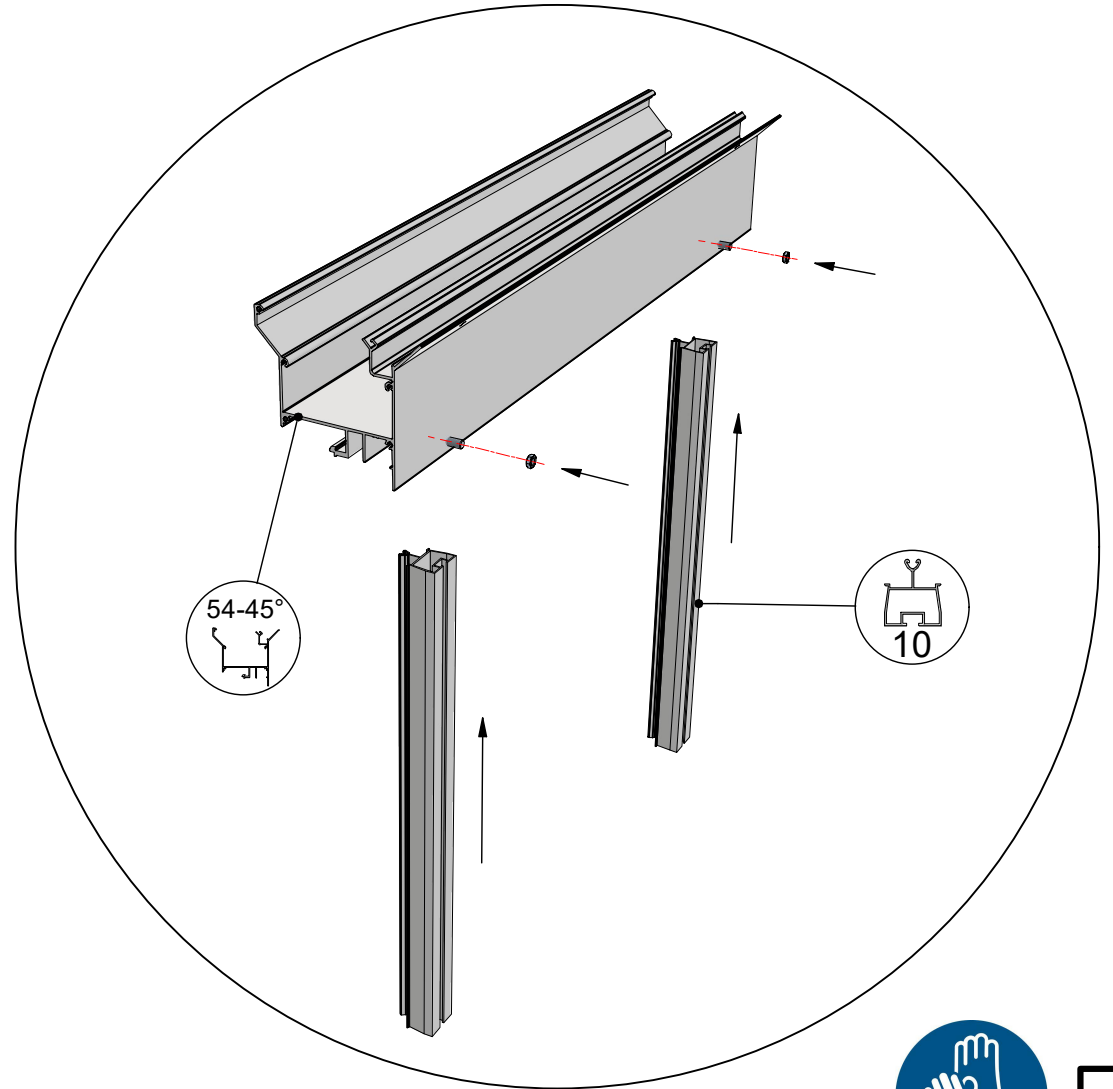
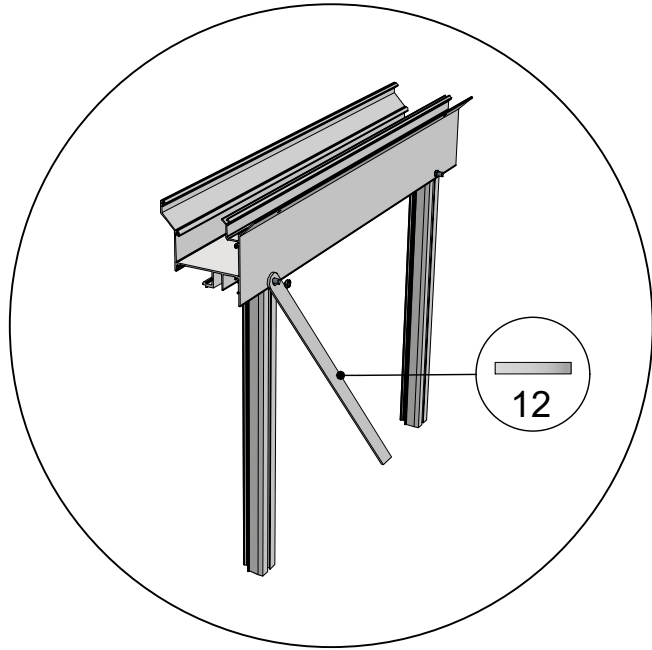


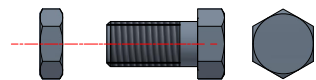


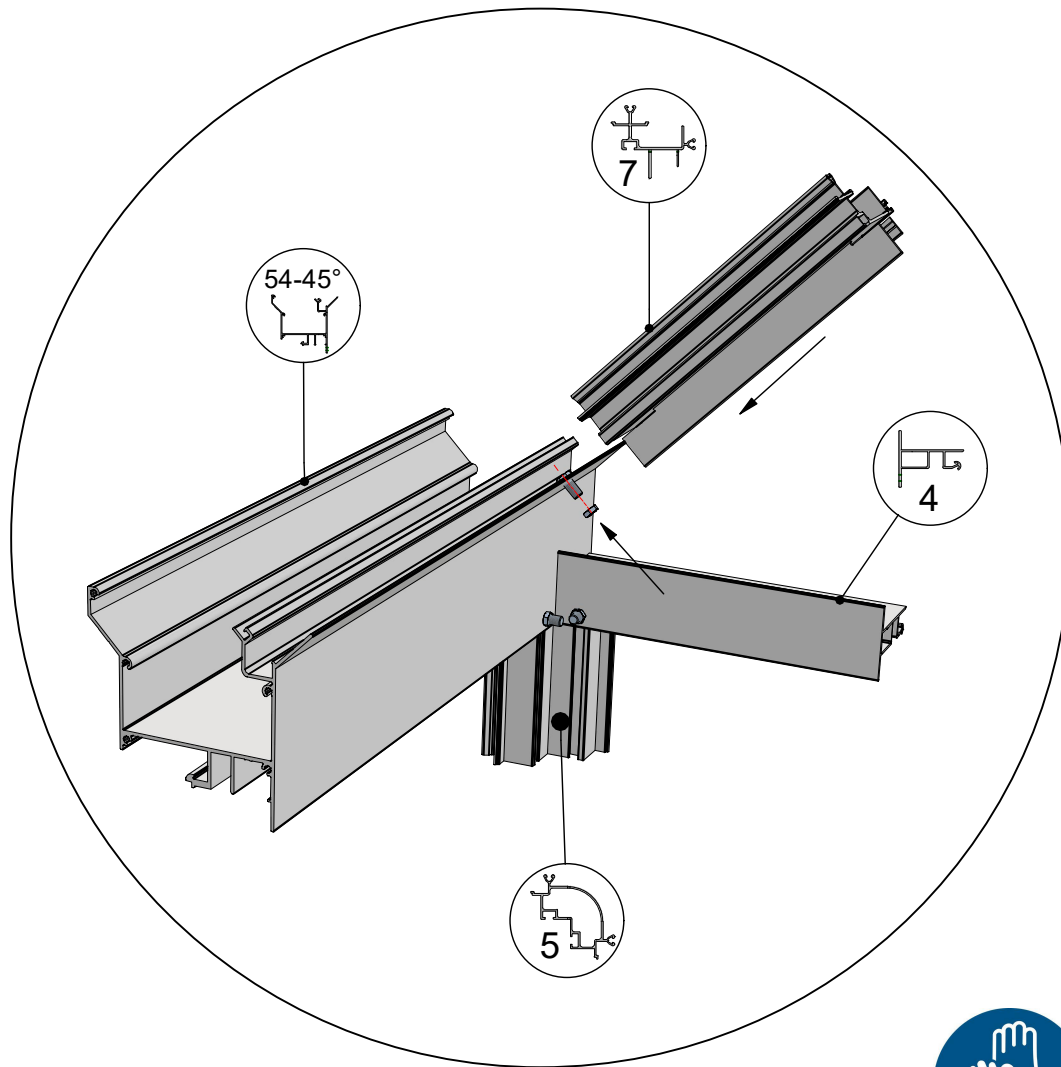
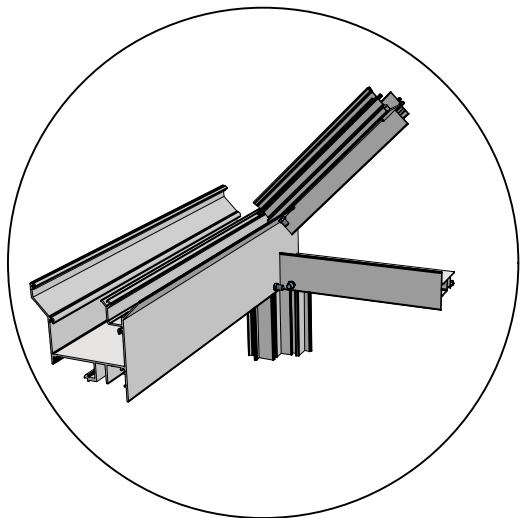
 = M6x12

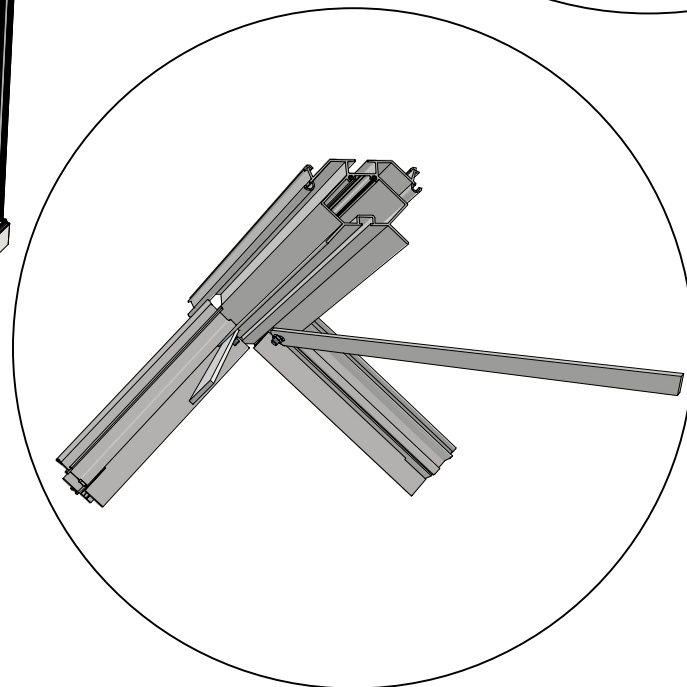
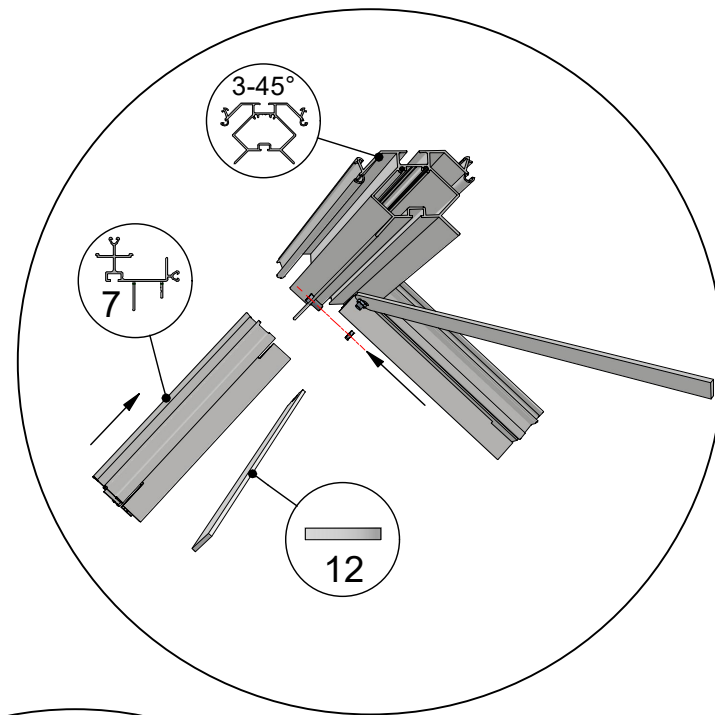
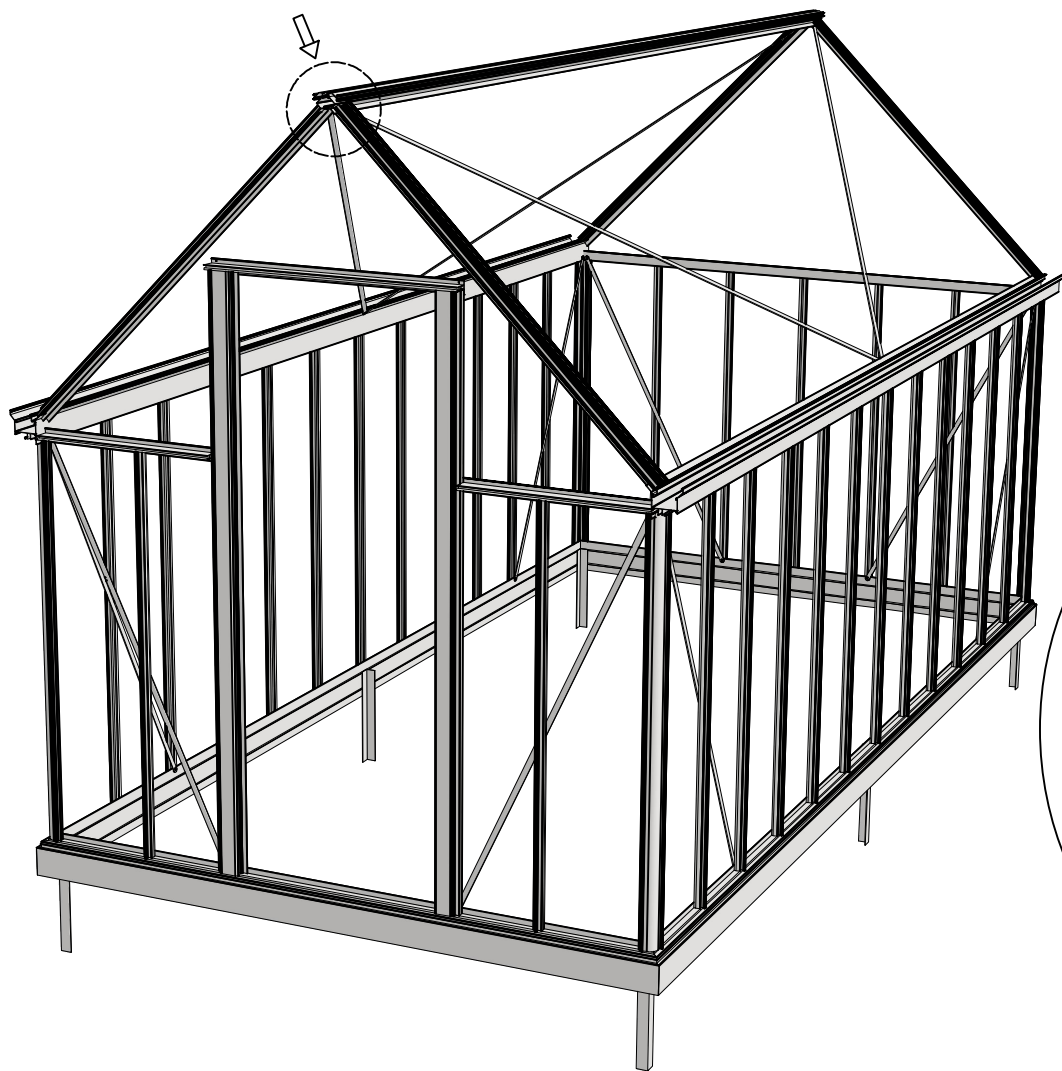


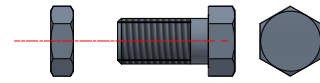
 = M6x12

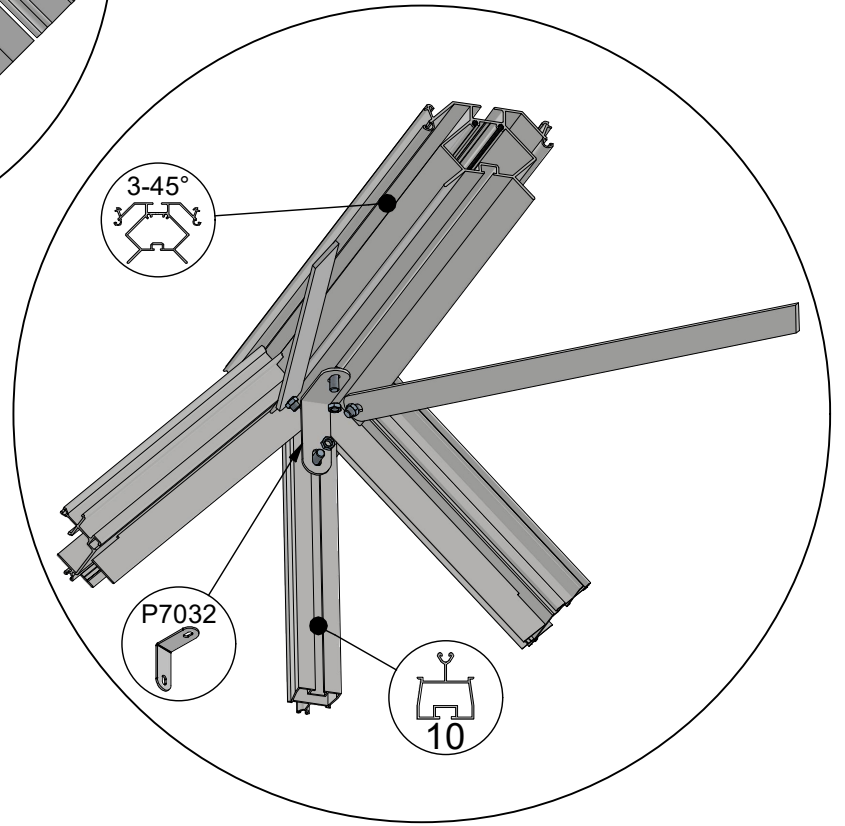
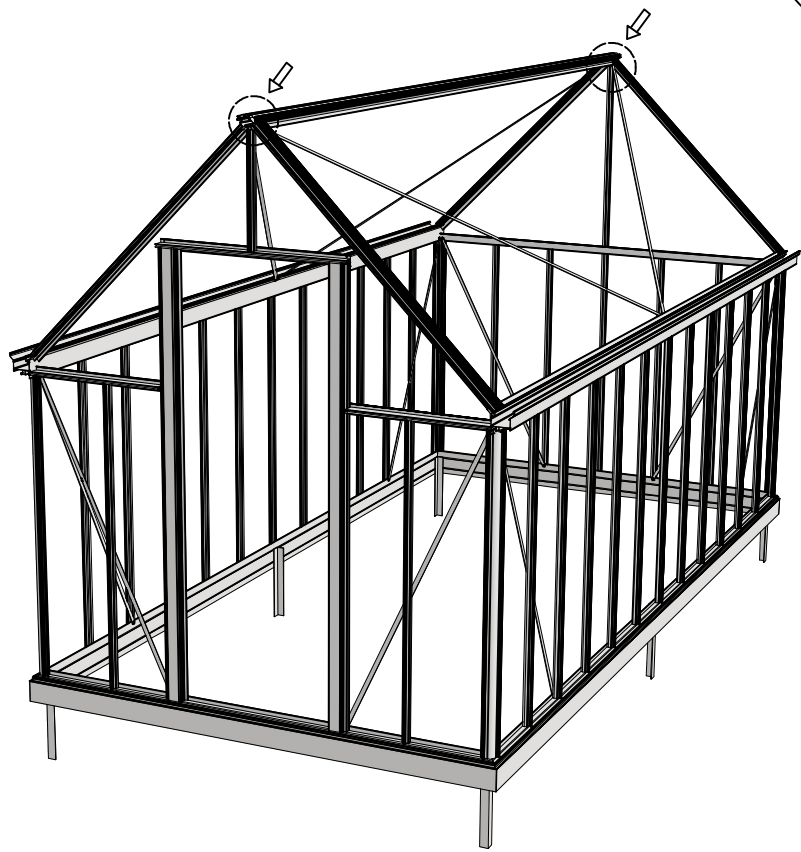
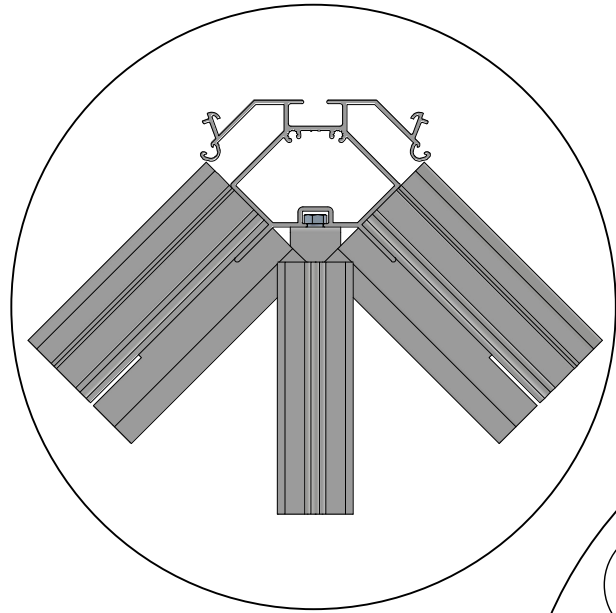
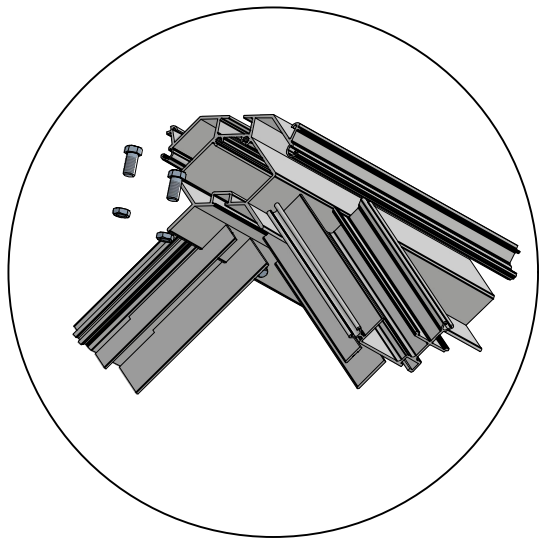


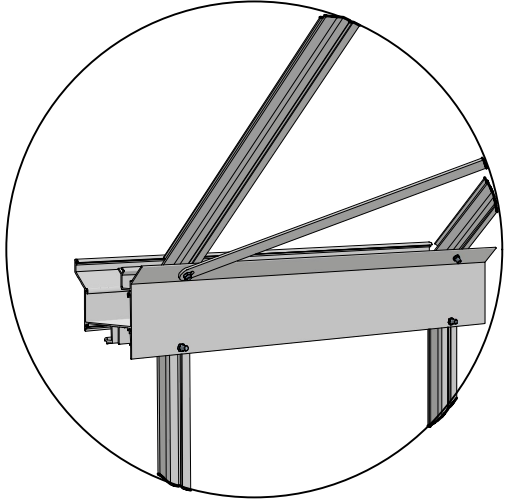
 = M6x12




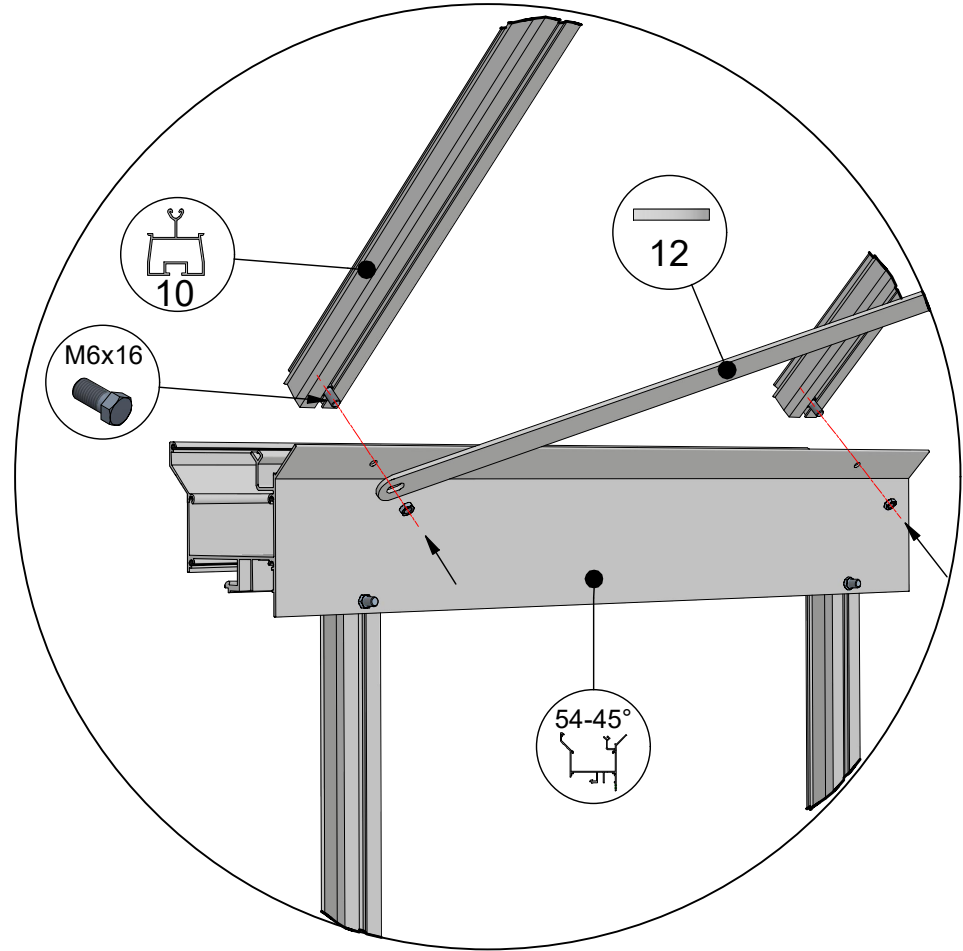


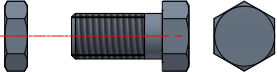
 = M6x12

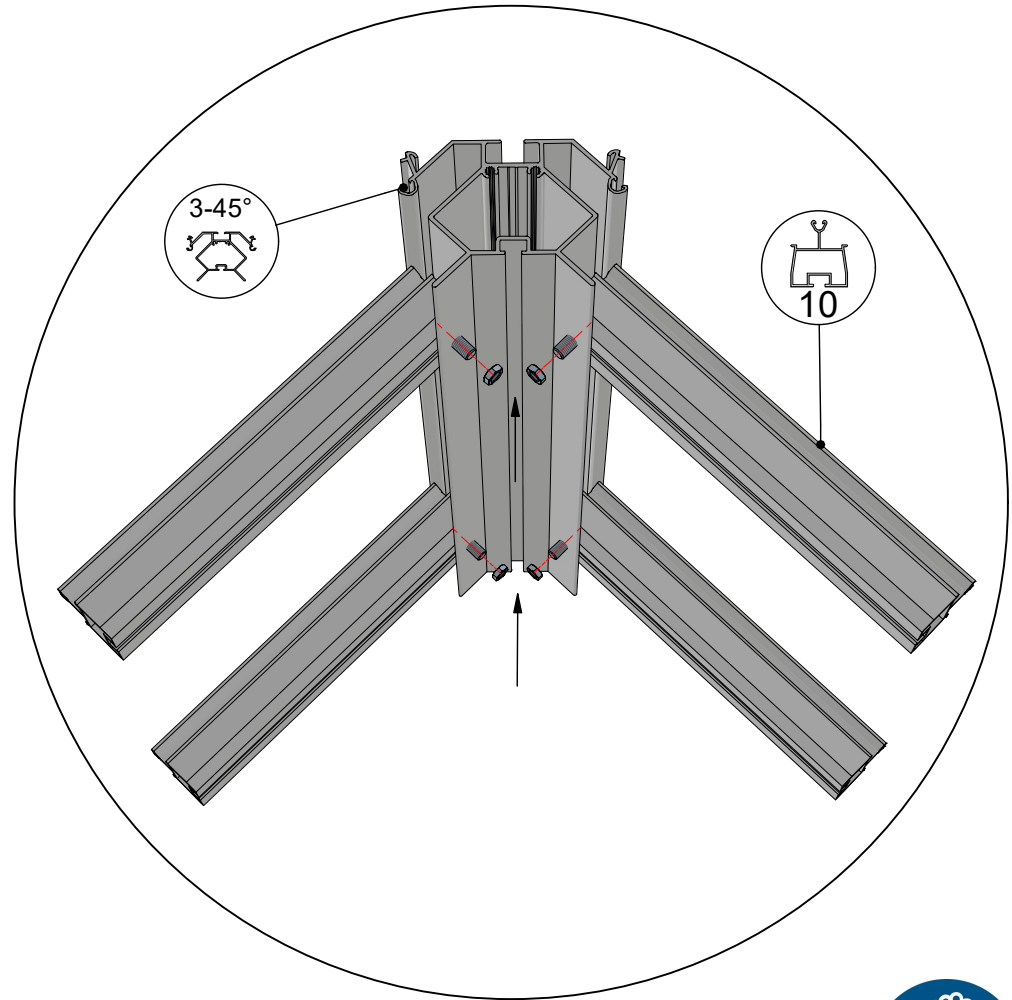
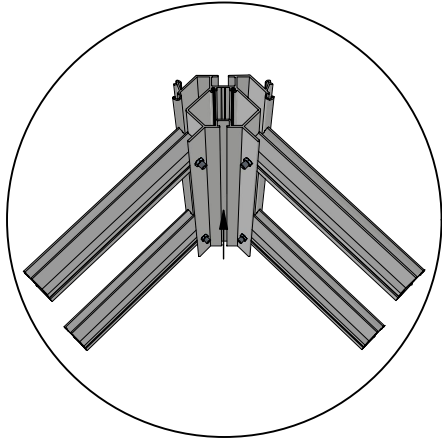





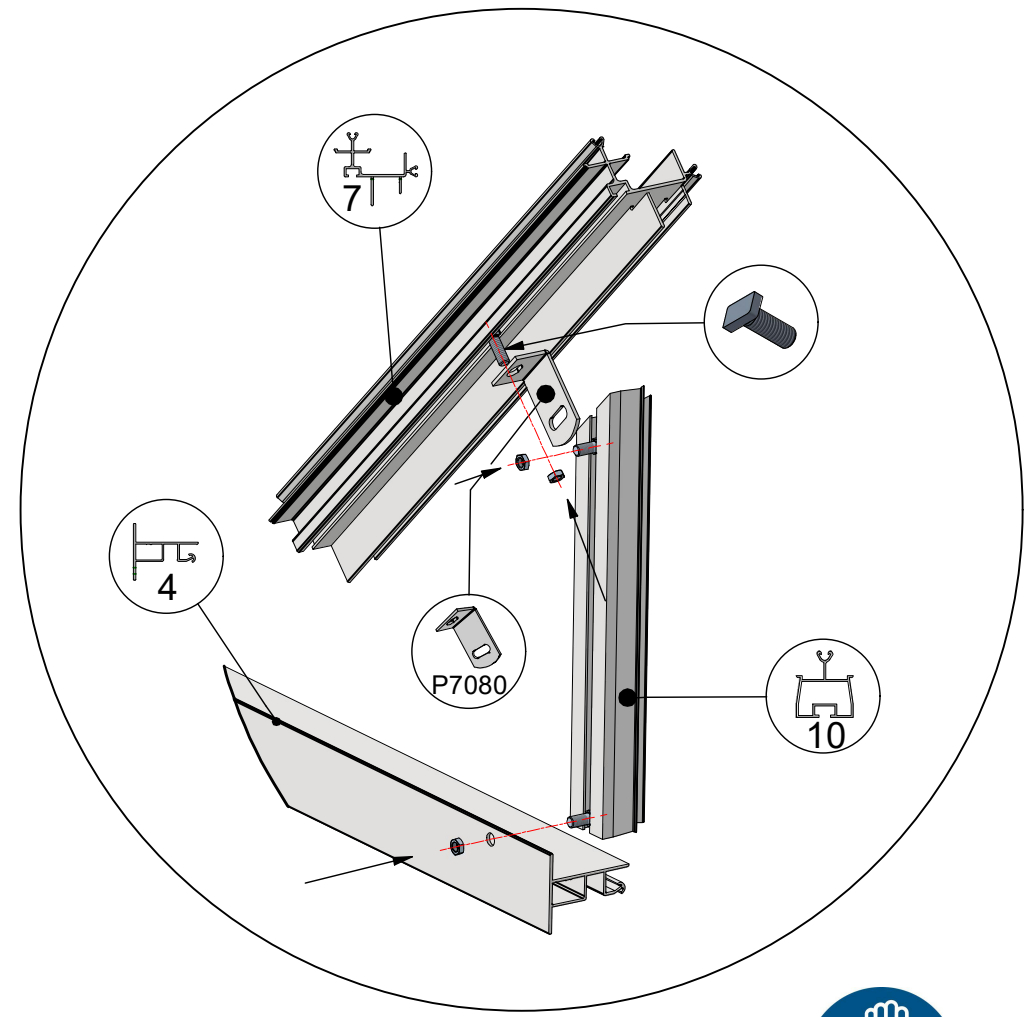
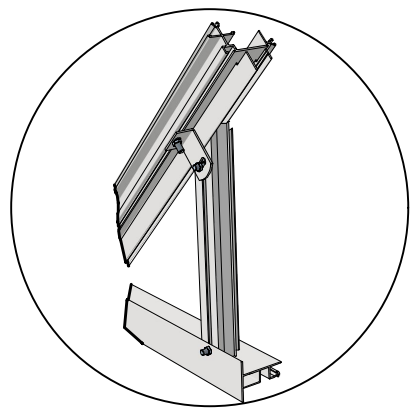
 = M6x12

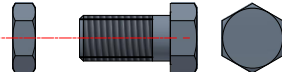


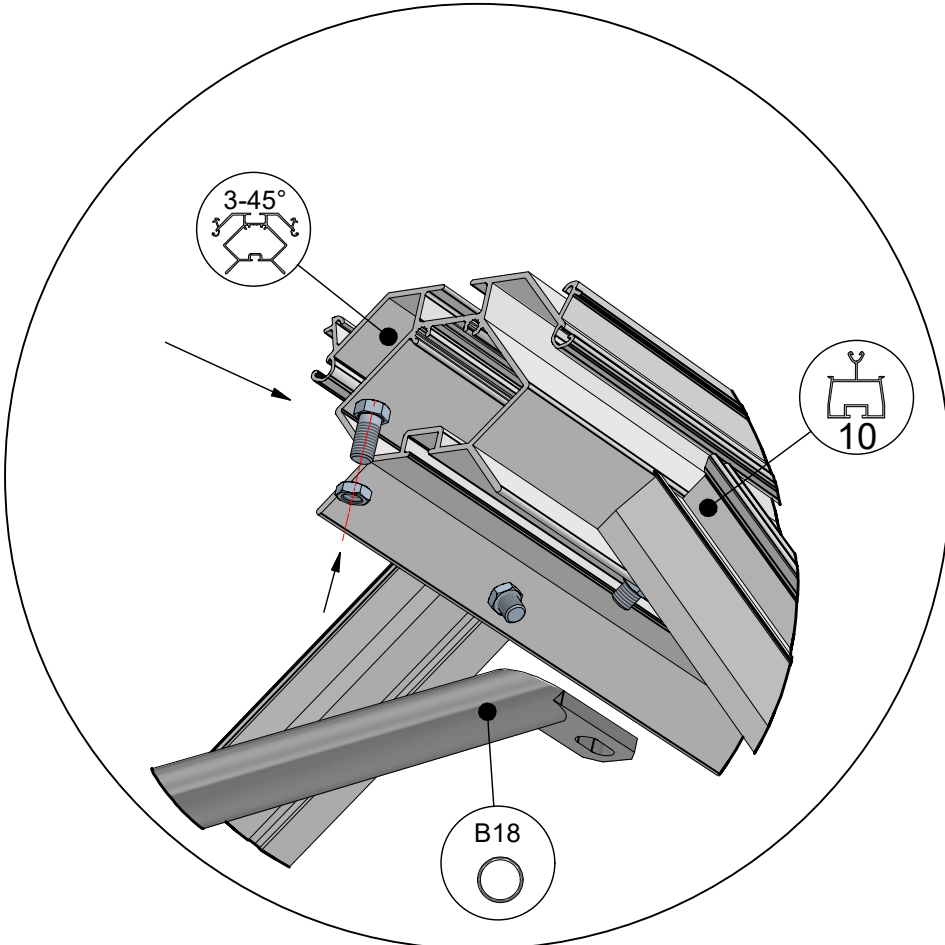
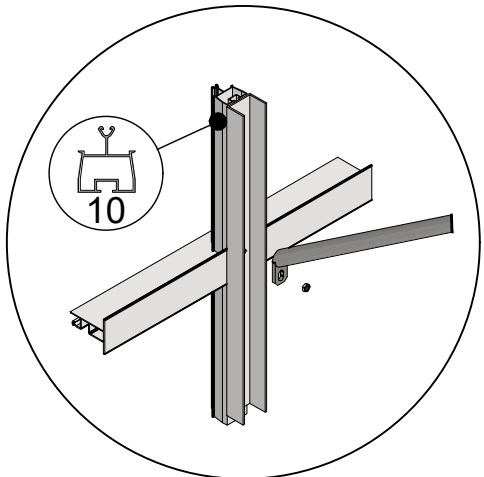
 = M6x12

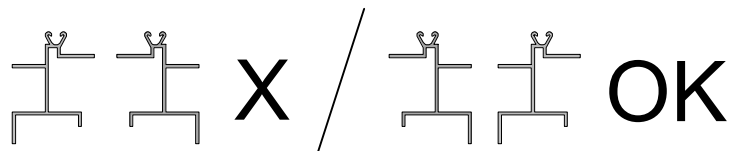
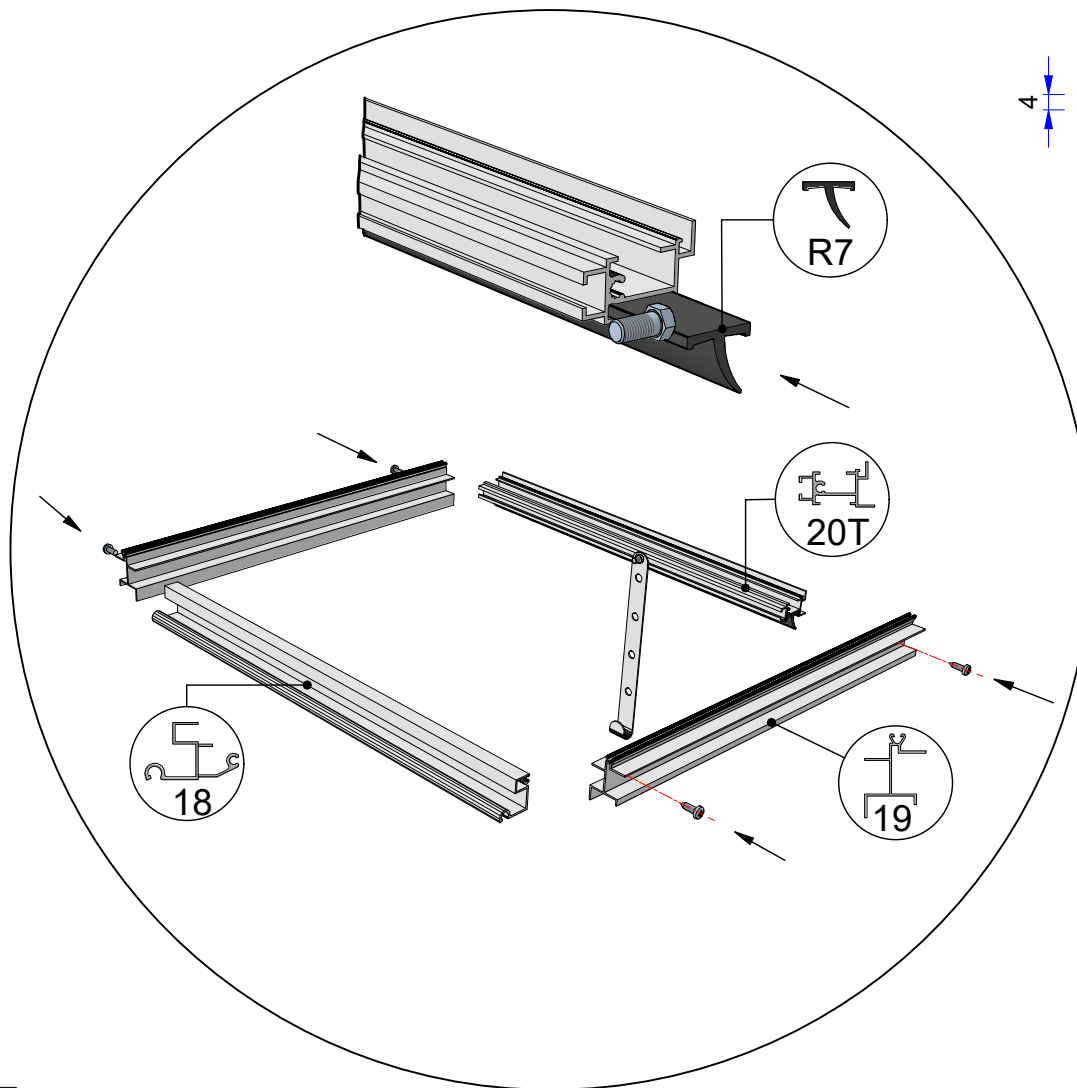
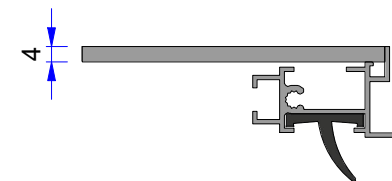
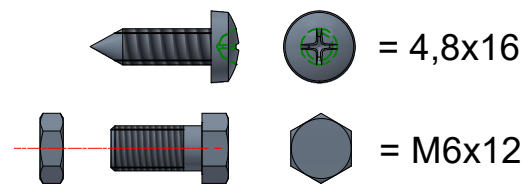
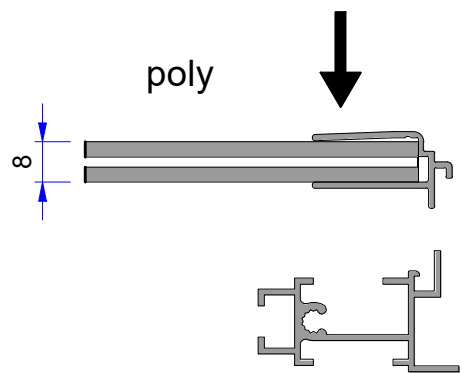


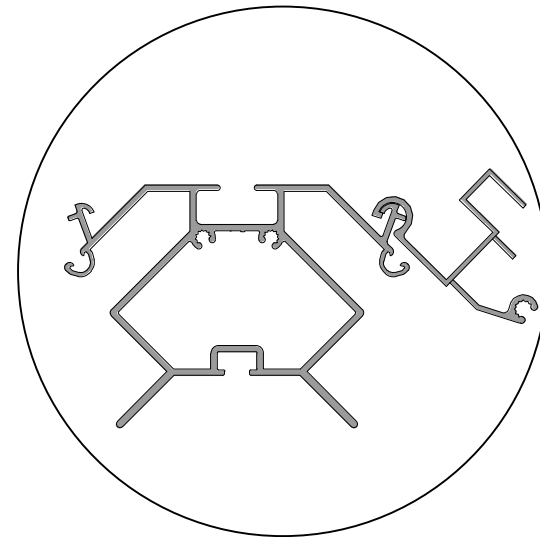
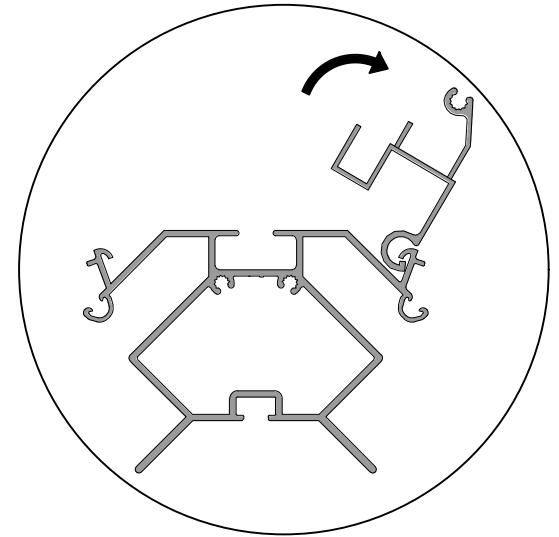
 = M6x16

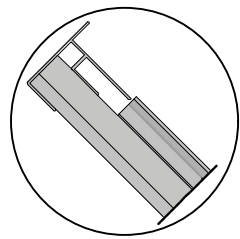
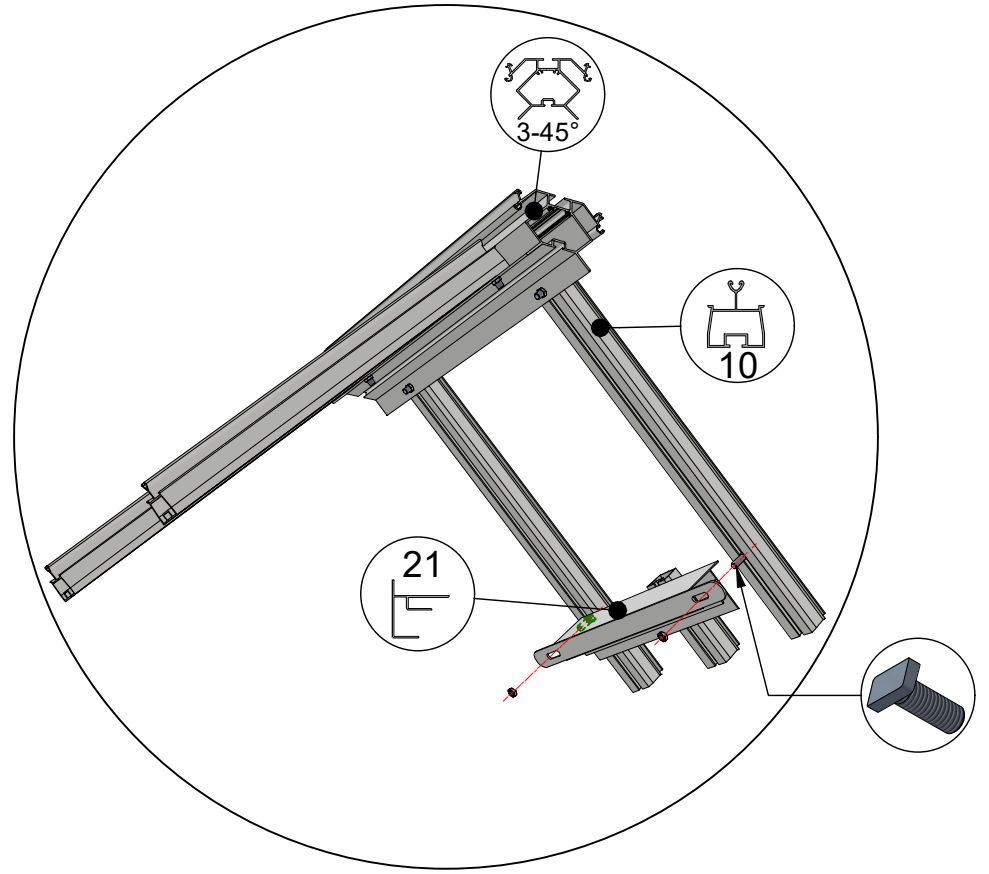
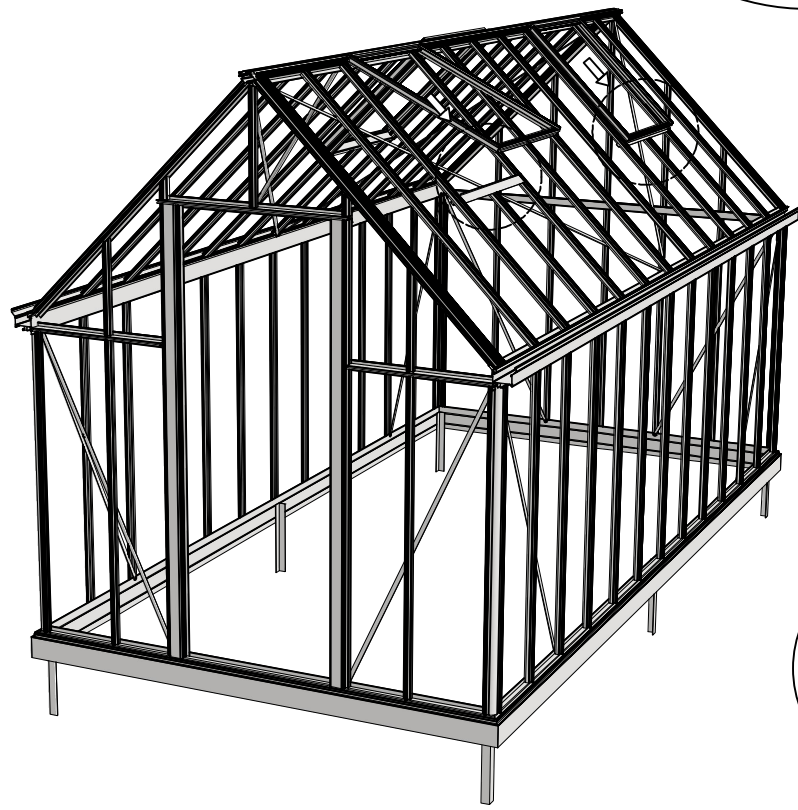
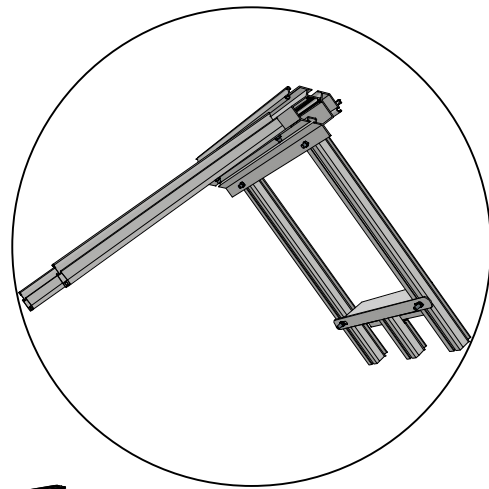
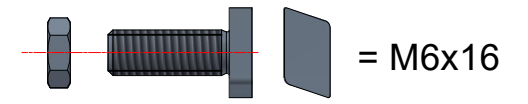
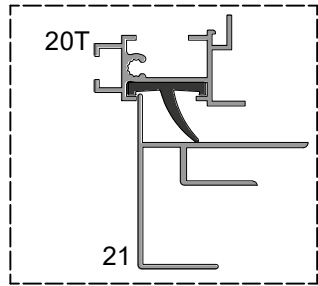


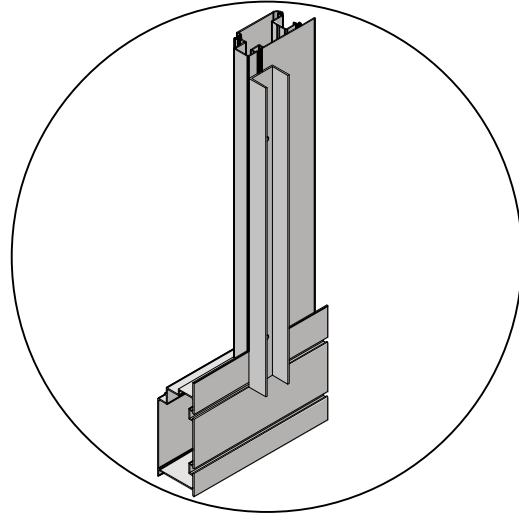
 = M6x12

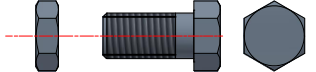


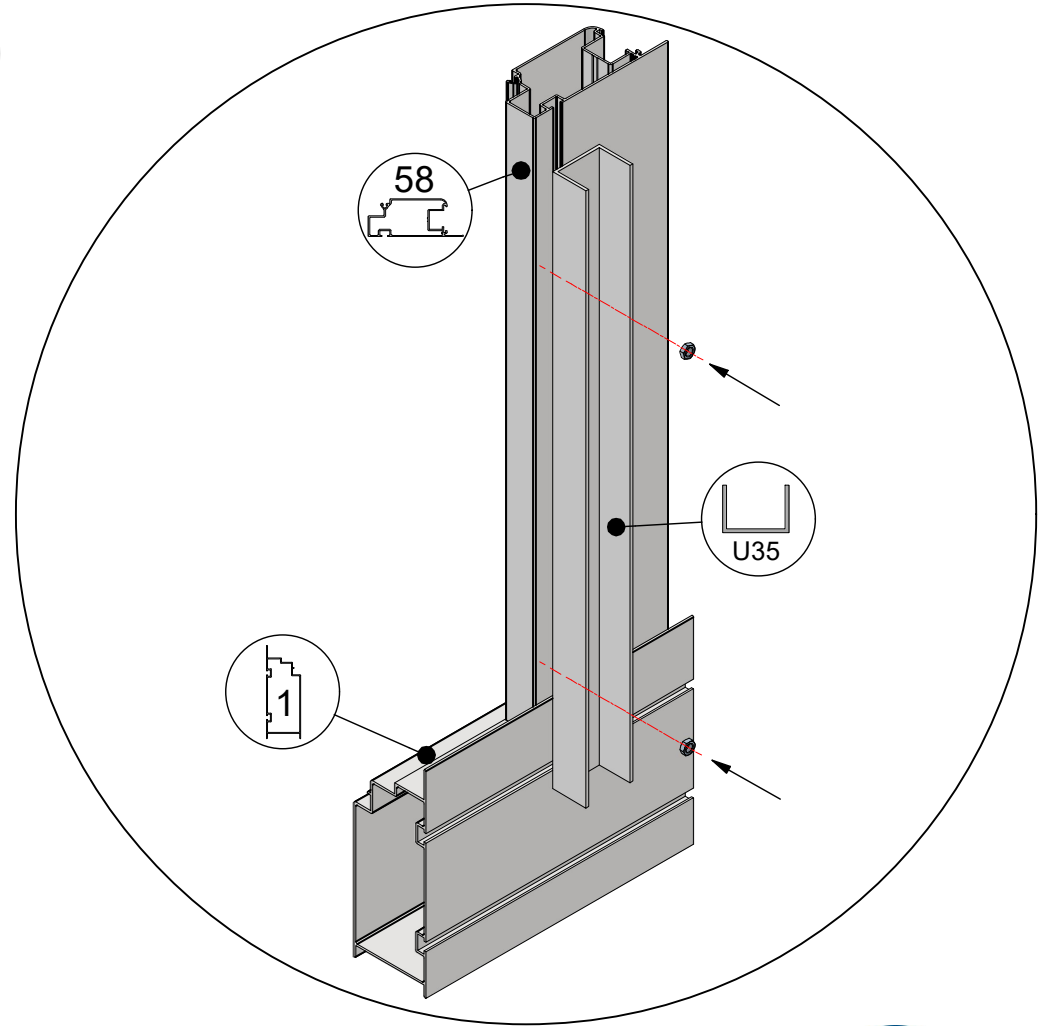





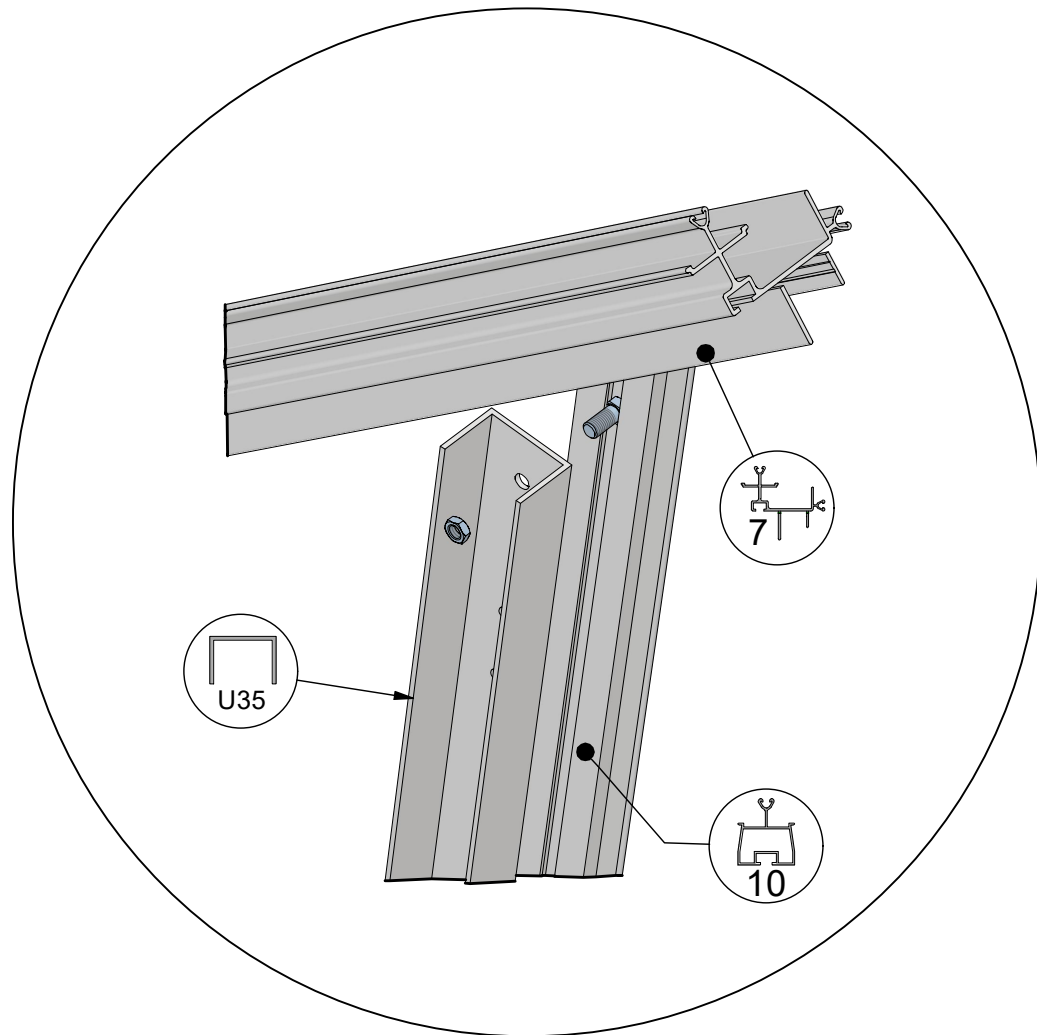





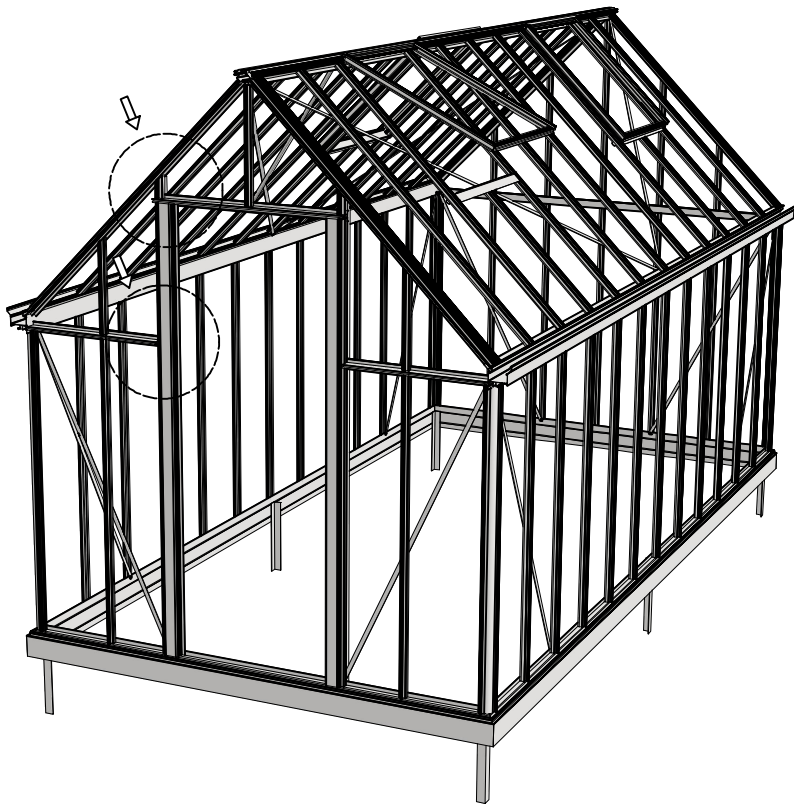
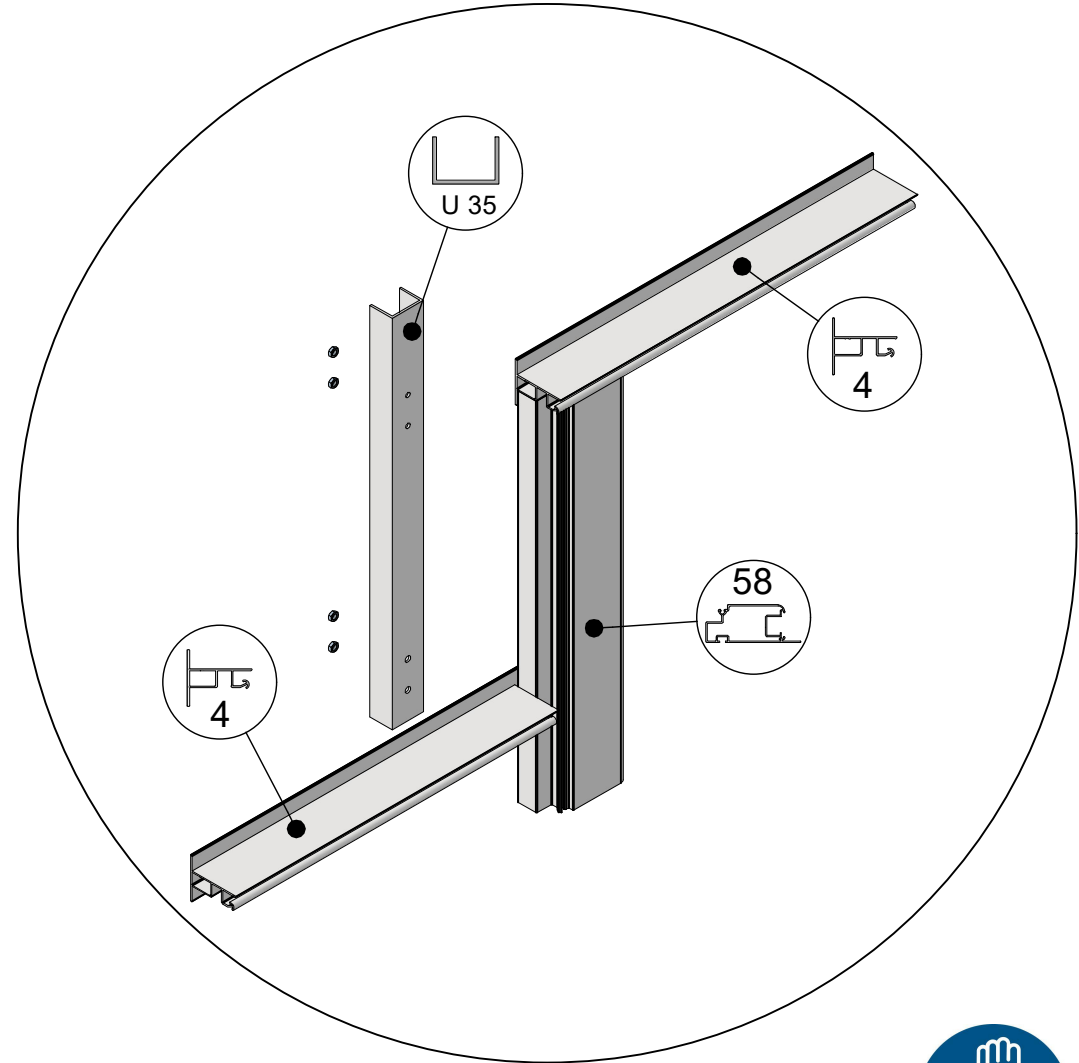
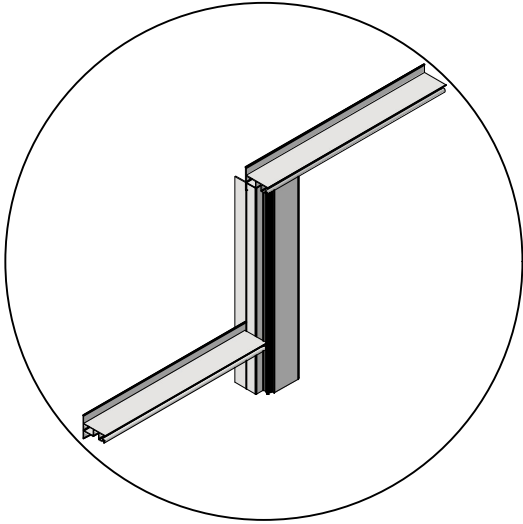
 = M6x12

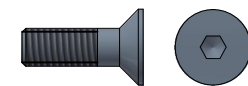


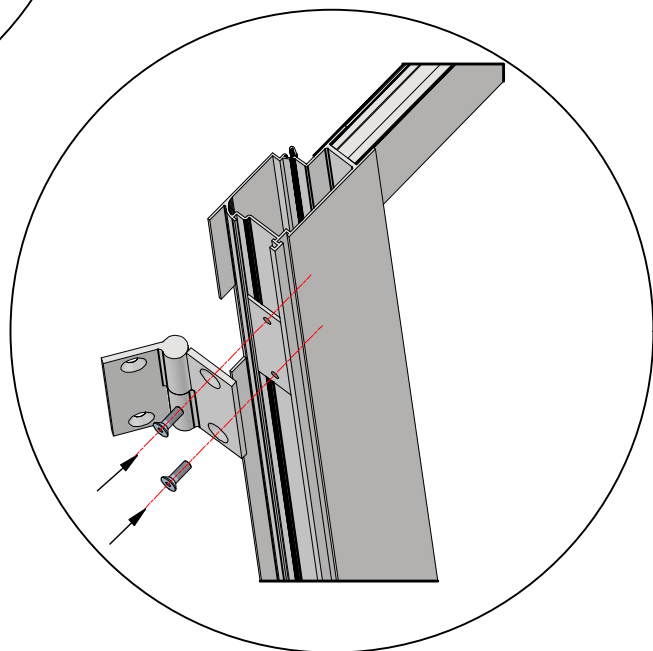
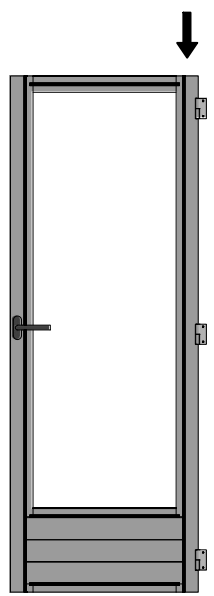
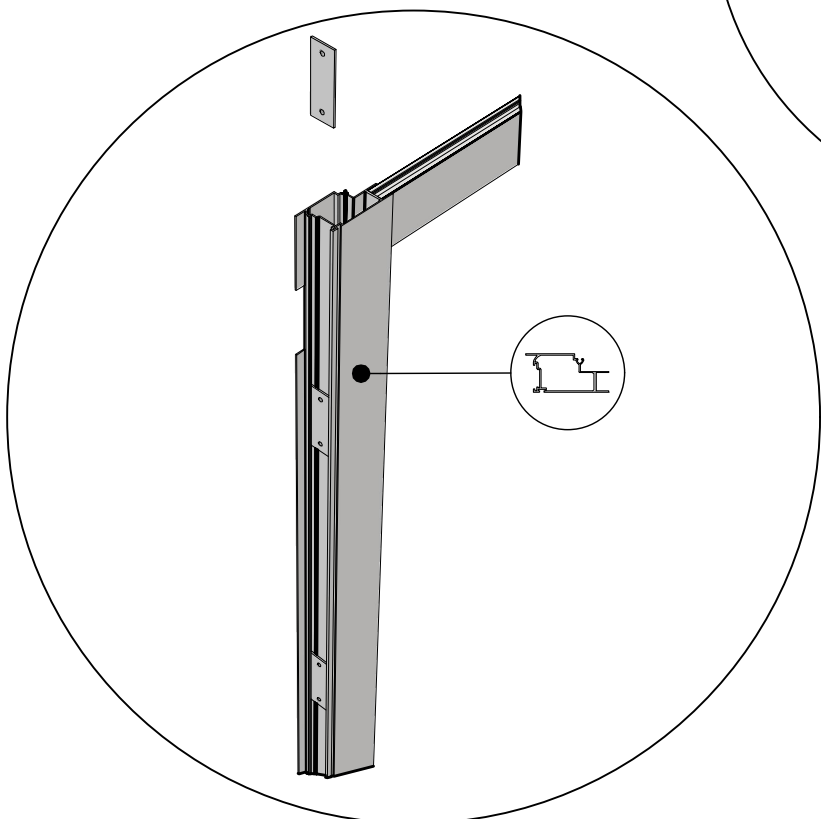
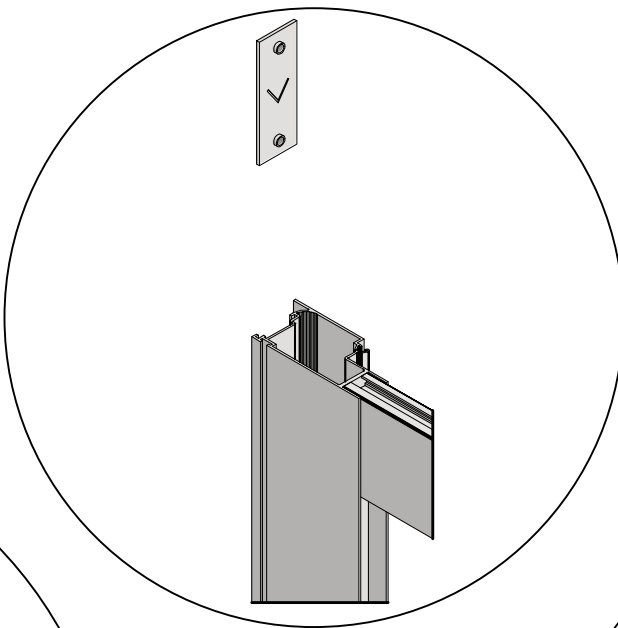
 = M6x12

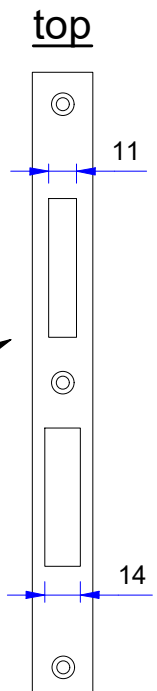
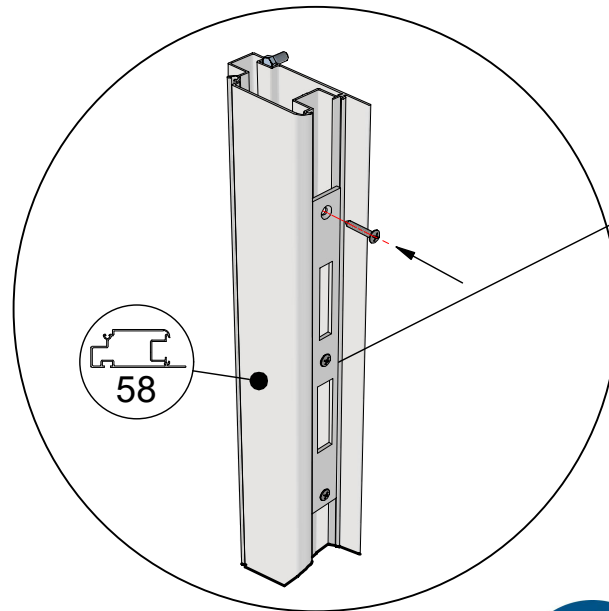
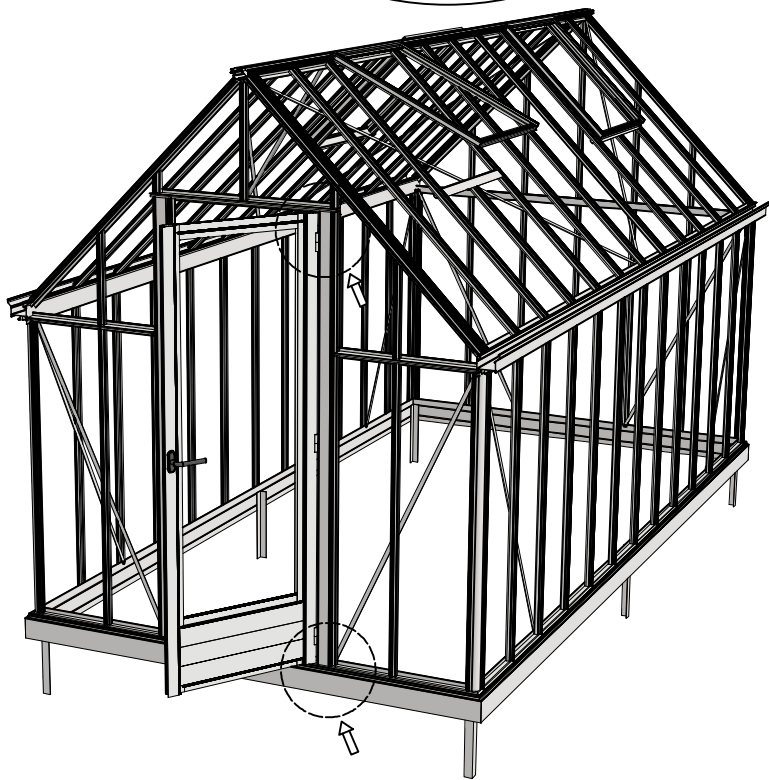
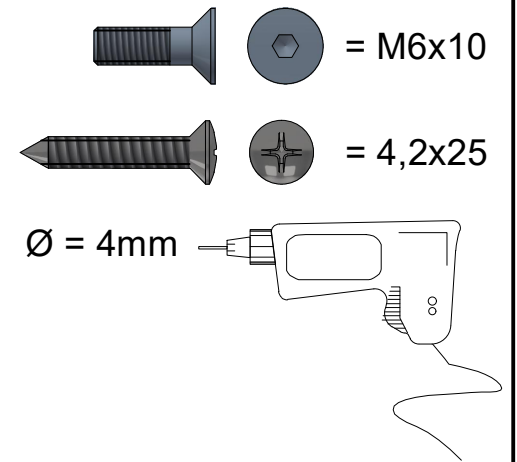
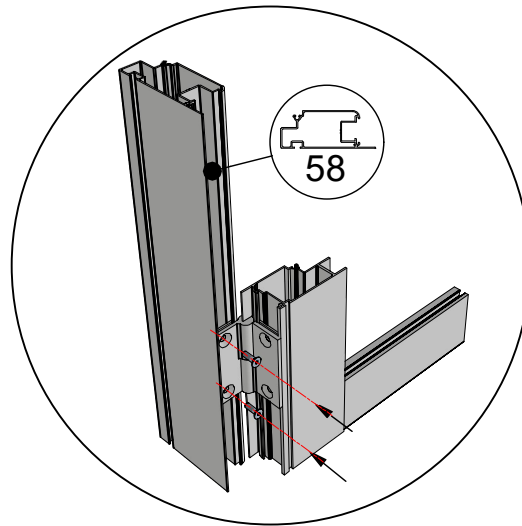
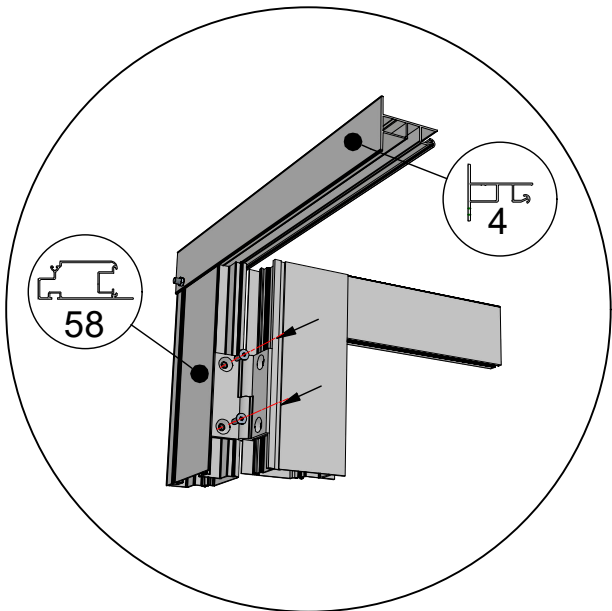


 = M6x12



 = M6x10

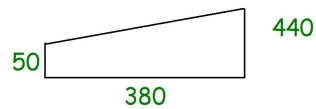




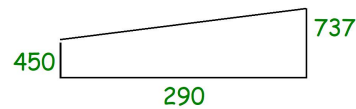
Glass Dimensions Nv Euro-serre		Euro-Rustic Special			2,36m	GlassH: 1450					
Glass Size 730mm		Sides		Single	Roof	Size Lenght x Wide		Poly		m ²	m ²
		1450 x 360	1450 x 290	1615 x 620	1590 x 360	763 x 360	825 x 730	1590 x 360	763 x 360		
Euro-Rustic Special	2,36m x 2,36m	20	2	1	8	4	2 or 2	8	4	12,3	6,9
Euro-Rustic Special	2,36m x 3,09m	24	2	1	10	4	2 or 2	10	4	14,4	8,0
Euro-Rustic Special	2,36m x 3,80m	28	2	1	16	4	2 or 2	16	4	16,5	11,5
Euro-Rustic Special	2,36m x 4,57m	32	2	1	18	6	3 or 3	18	6	18,5	13,8
Euro-Rustic Special	2,36m x 5,30m	36	2	1	22	6	3 or 3	22	6	20,6	16,0
Euro-Rustic Special	2,36m x 6,04m	40	2	1	24	8	4 or 4	24	8	22,7	18,3
										0,0	
										0,0	
										0,0	

Points

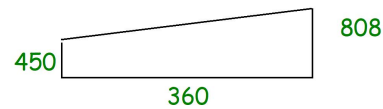
2xL+2xR



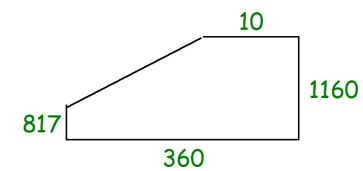
1xL+1xR



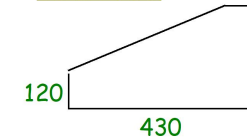
1xL+1xR



1xL+1xR

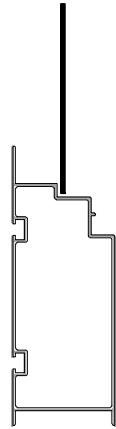
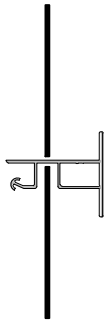
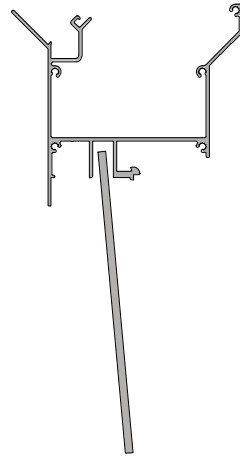


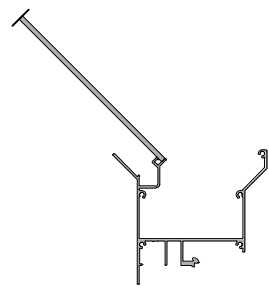
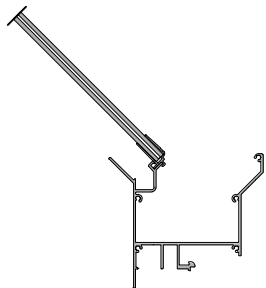
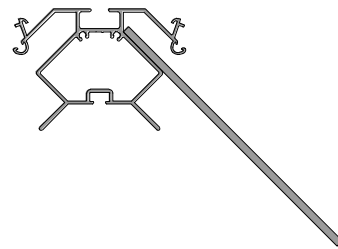
1xL+1xR

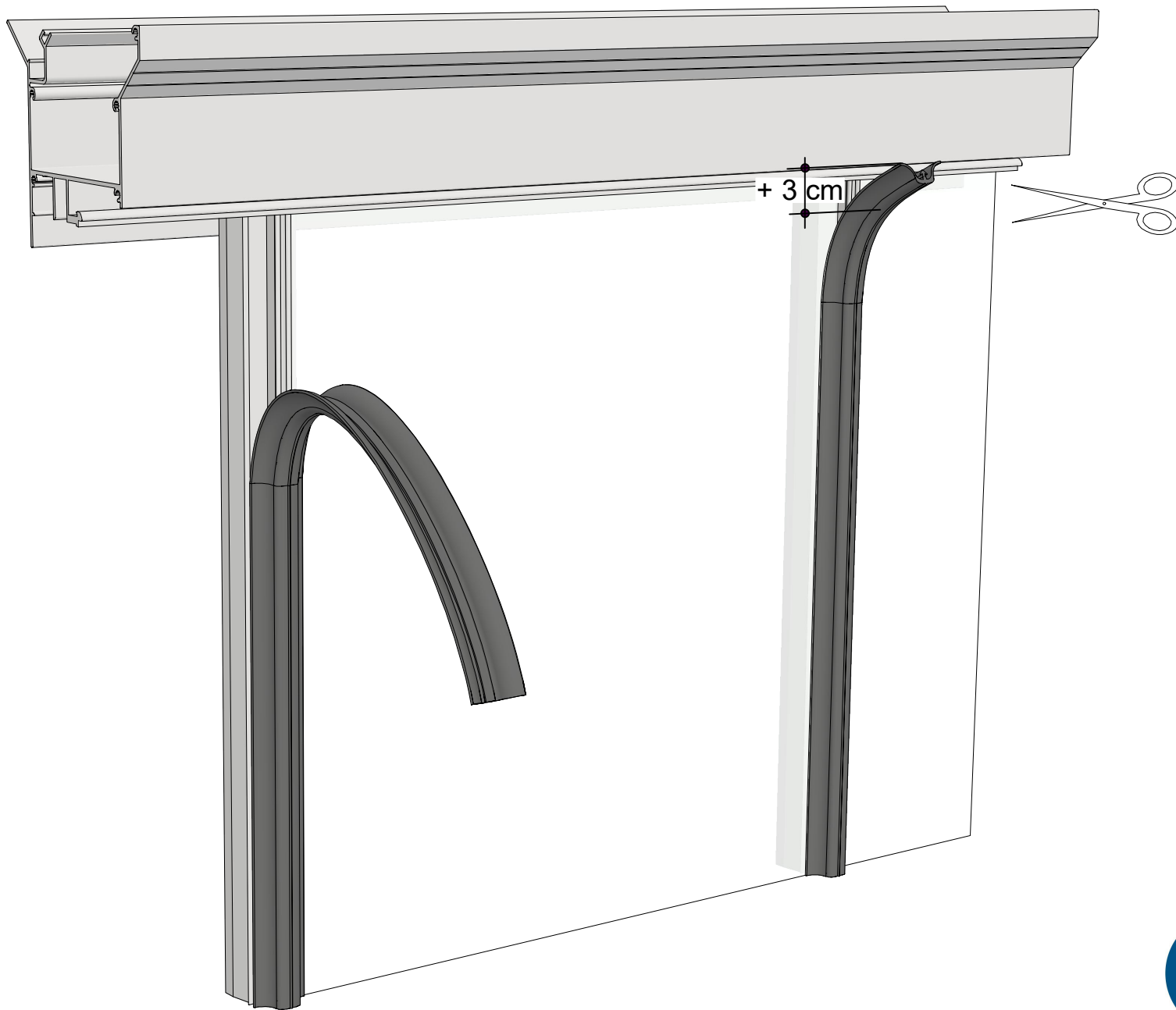


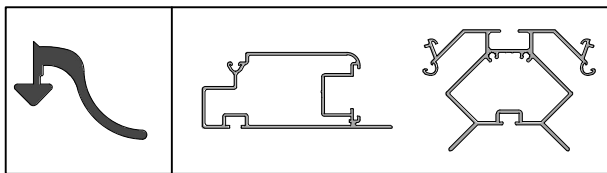
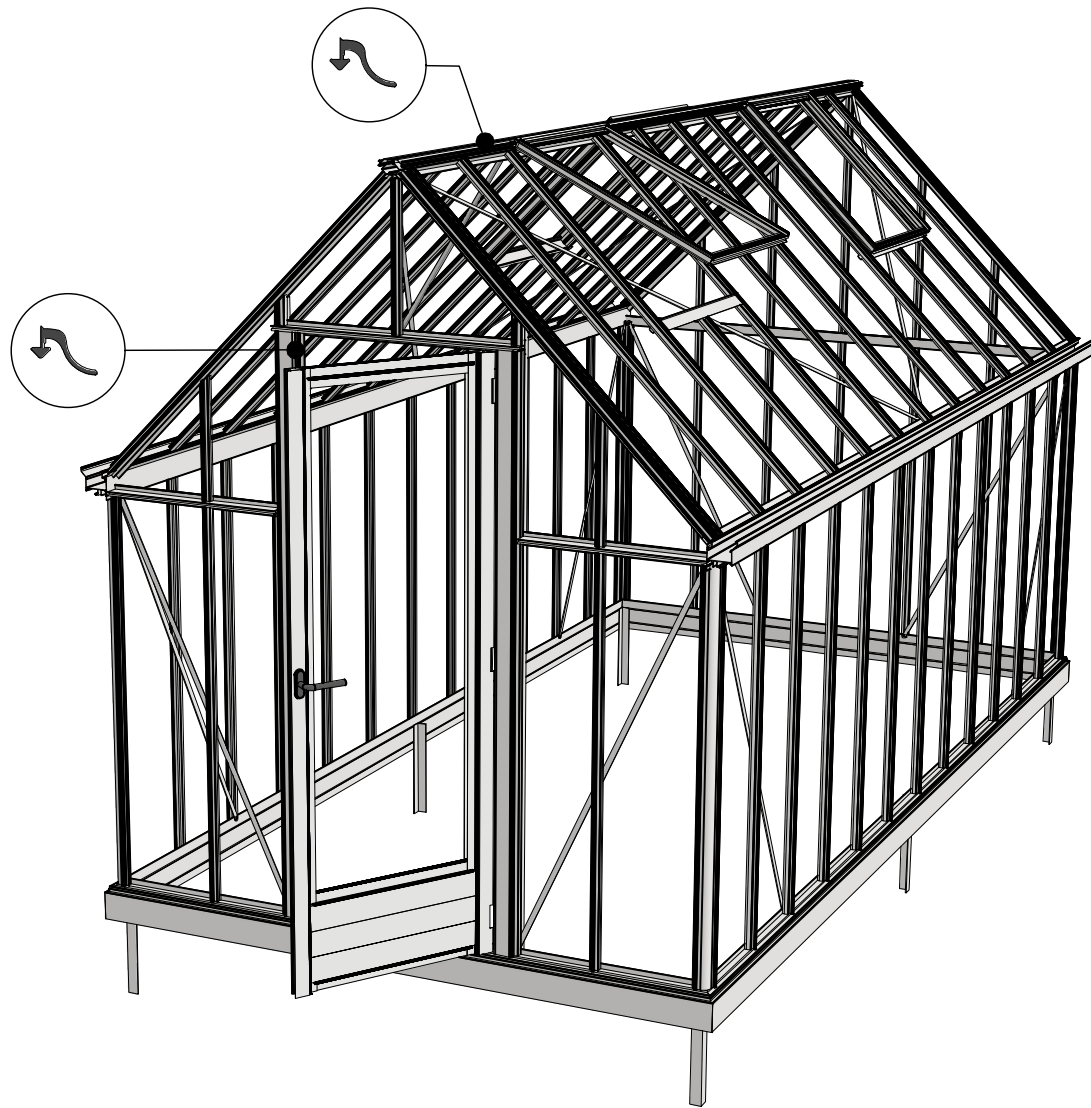
2,97 m²

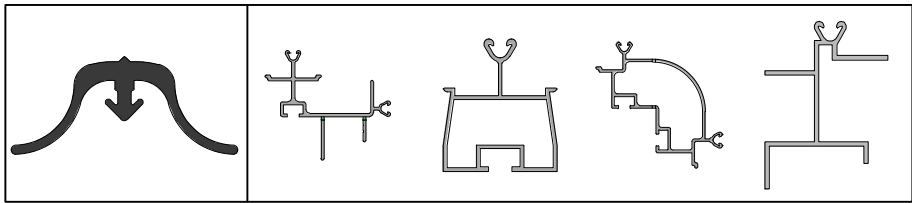
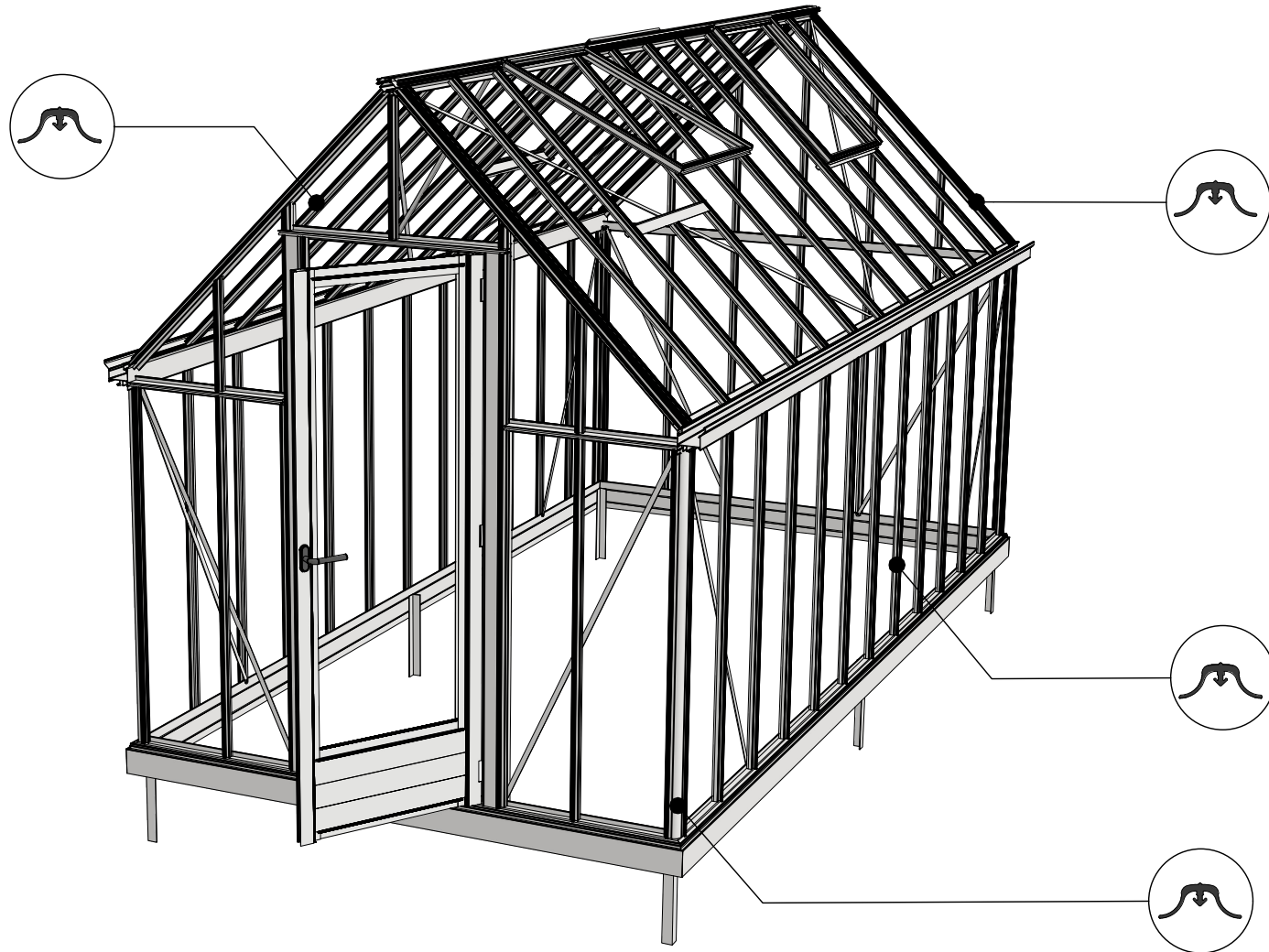
Opgemaakt op 29-06-2022



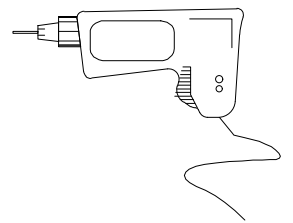


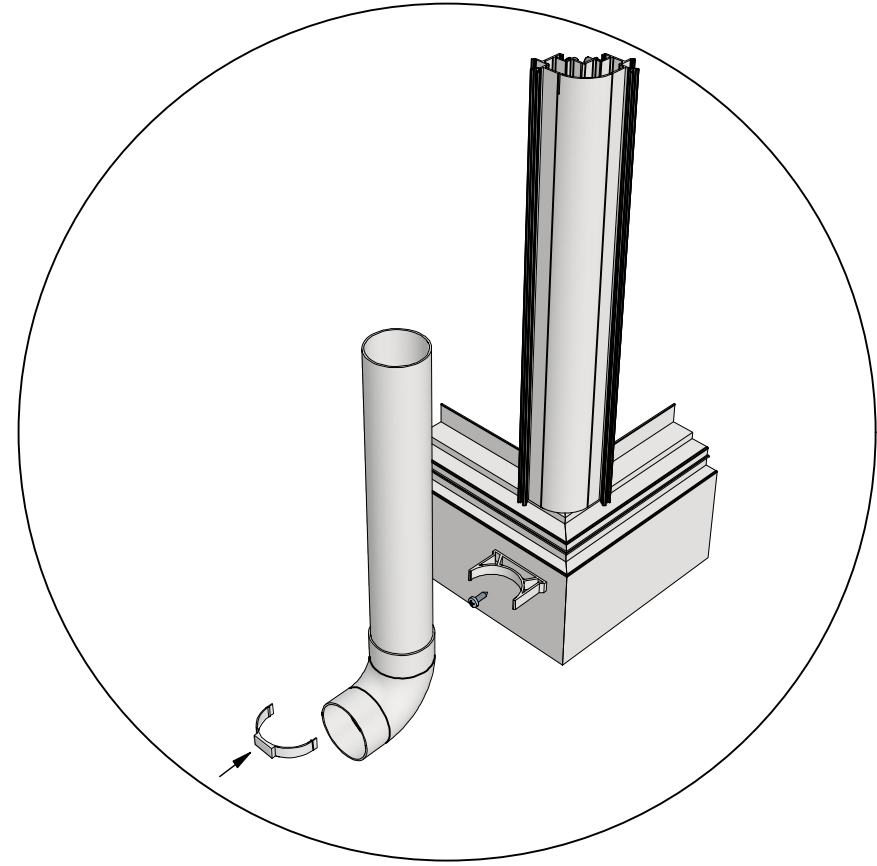
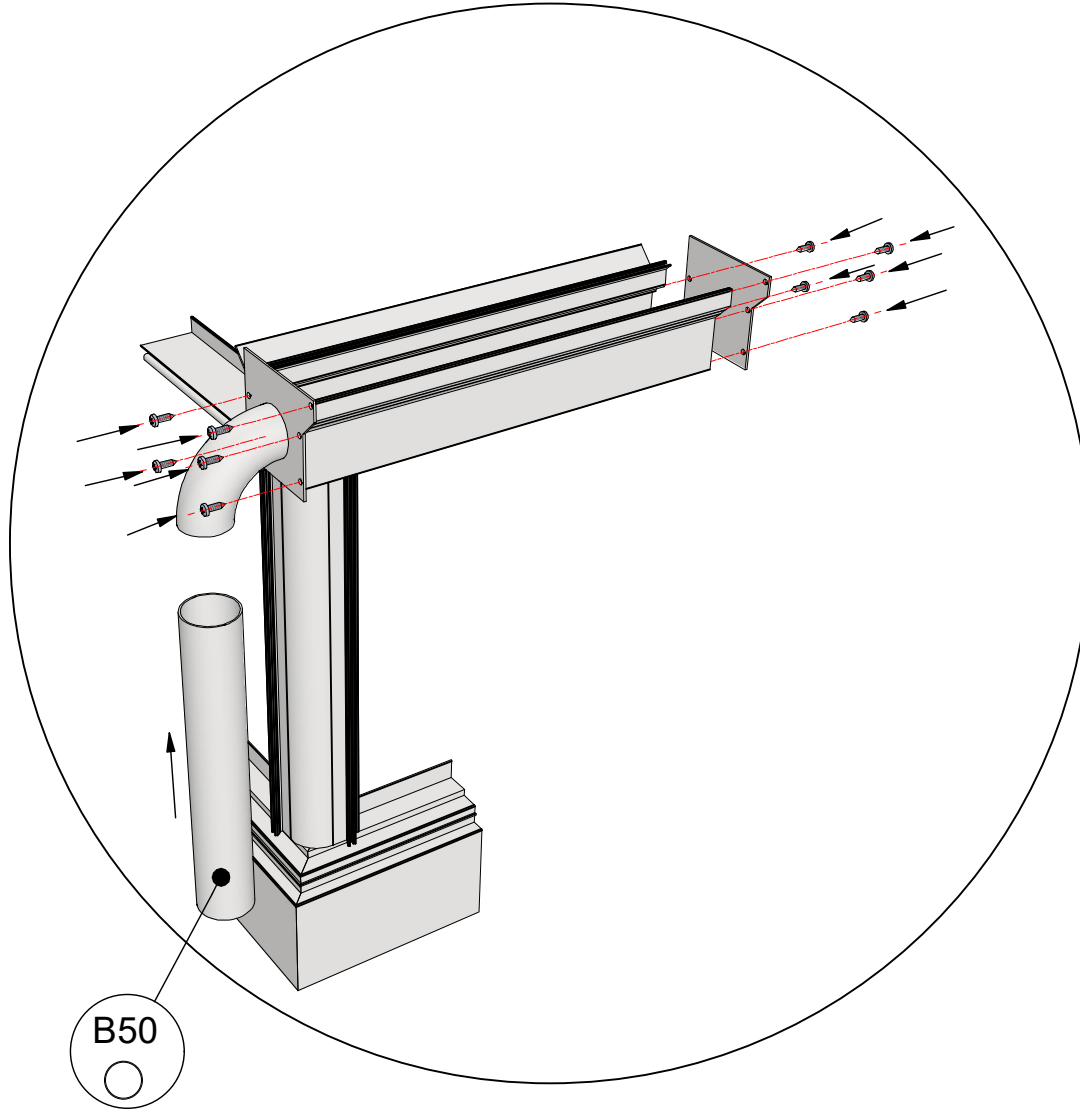






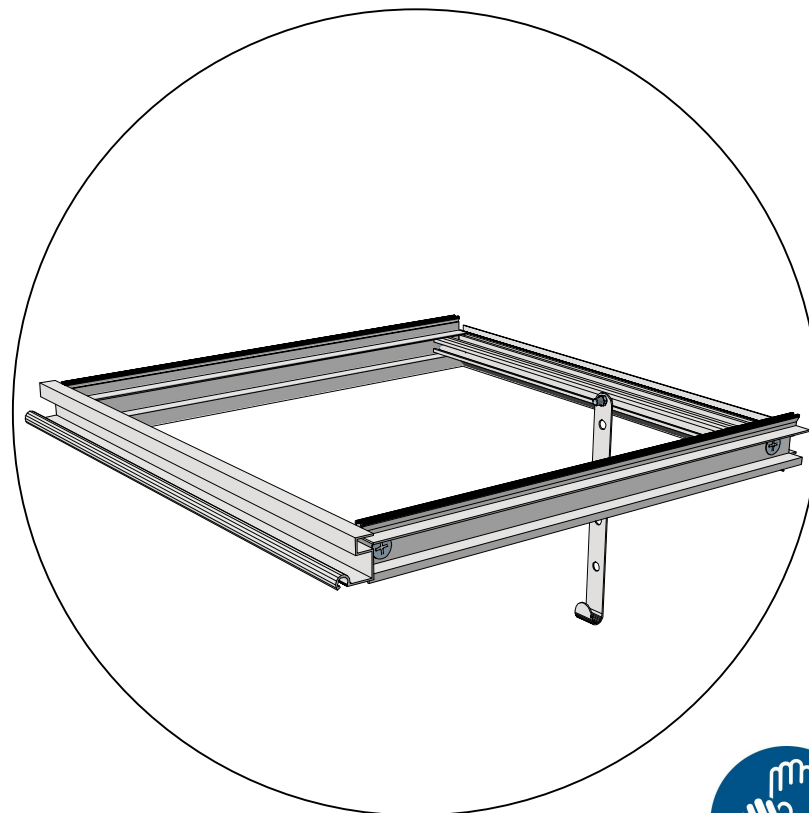
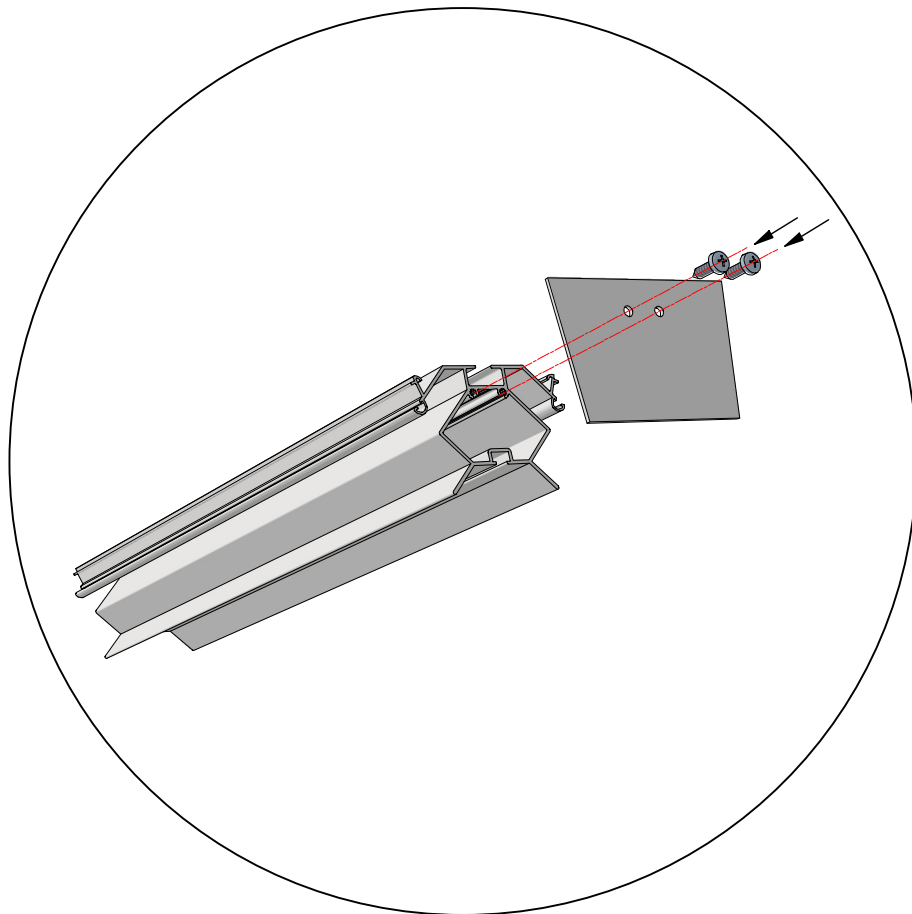
 = 4,8x16

$\varnothing = 4\text{mm}$ 





= 4,8x16





Geleenlaan 1 - 3600 Genk

ref: Rustiq Special-001 Rev. 05.10.2023

OCBS - 1148-CPR-20231003-989 C €

EN 1090-1 EXC 1

Euro-Rustiq Special

www.euroserre.com/cecificaten