

Tampere 40 XXS

Installation drawings



| Marking | | | Length | Pcs | | | | |
|---------|-----------------------------|-----------------------------|--------|-----|--|--|--|--|
| extra | WALL LOG 40x146 | | 2480 | 1 | | | | |
| 001 | WALL LOG 40x146 | | 2480 | 2 | | | | |
| 002 | WALL LOG 40x146 | | 2280 | 44 | | | | |
| 002A | WALL LOG 40x146 | <i>starting board 68 mm</i> | 2280 | 2 | | | | |
| 002C | WALL LOG 40x146 | | 2280 | 4 | | | | |
| 003C | WALL LOG 40x146 | | 1700 | 2 | | | | |
| 004C | WALL LOG 40x146 | | 700 | 2 | | | | |
| 005 | WALL LOG 40x146 | | 290 | 28 | | | | |
| | HAMMER BLOCK FOR 40 MM WALL | | | 2 | | | | |

| Marking | | | Length | Pcs | | | | |
|---------|--|--------------|--------|------|--|--|--|--|
| AR-1 | 45x95 FLOOR FRAME | | 2070 | 1 | | | | |
| AR-2 | 45x95 FLOOR FRAME (CUTOUT FOR DRAINAGE) | | 2070 | 1 | | | | |
| AR-3 | 45x95 FLOOR FRAME (SPECIAL CROSS-SECTION) | | 1980 | 1 | | | | |
| | | | | | | | | |
| AR-4 | 45x95 FLOOR FRAME | 45x70 | 1980 | 1 | | | | |
| AR-5 | 45x95 FLOOR FRAME | | 1980 | 6 | | | | |
| PL-1 | 28x120 FLOOR BOARD | | 1960 | 18+2 | | | | |
| | | | | | | | | |
| SR-1 | 45x145 ROOF RAFTER | | 2480 | 2 | | | | |
| | | | | | | | | |
| KL-1 | 29x120 ROOF BOARD | | 2480 | 22+2 | | | | |
| RL-1 | 18x95 ROOF EDGE BOARD (CUT TO LENGTH!) | | ~2550 | 4 | | | | |
| RL-2 | 45x45 ROOF EDGE SUPPORT | | 2480 | 2 | | | | |
| PP-1 | 15x55 FLOOR AND CEILING MOULDINGS (CUT TO LENGTH!) | | ~2100 | 8 | | | | |

| Marking | | | Length | Pcs | | | | |
|---------|--|--|--------|-----|--|--|--|--|
| UK-1 | 18x95 DOOR MOULDING | | 1910 | 3 | | | | |
| UK-2 | 18x95 DOOR MOULDING | | 1950 | 2 | | | | |
| UK-3 | 18x95 DOOR MOULDING | | 1650 | 1 | | | | |
| UK-4 | 18x 70 DOOR MOULDING | | 435 | 4 | | | | |
| UK-5 | 15x55 WINDOW MOULDING | | 1815 | 2 | | | | |
| extra | 18x95 EXTRA MOULDING | | 2100 | 2 | | | | |
| | | | | | | | | |
| | 3 MM FLOOR SLOPE DETAIL | | 1995 | 1 | | | | |
| | 6 MM FLOOR SLOPE DETAIL | | 1995 | 1 | | | | |
| | 9 MM FLOOR SLOPE DETAIL | | 1995 | 1 | | | | |
| | 12 MM FLOOR SLOPE DETAIL | | 1995 | 1 | | | | |
| | | | | | | | | |
| A-1 | WINDOW 42x495x1860 BRONZE | | | 2 | | | | |
| U-1 | GLASS DOOR 92x690x1860 BRONZE (WITH SIDE SUPPORTS) | | | 1 | | | | |

| | | | | | | | | |
|--|--------------------------------------|--|--|---|--|--|--|--|
| | UPPER BENCH MODULE 600x1992 | | | 1 | | | | |
| | LOWER BENCH MODULE 400x1992 | | | 1 | | | | |
| | BENCH SUPPORT SET 45x45 "HALDEN XXS" | | | 1 | | | | |

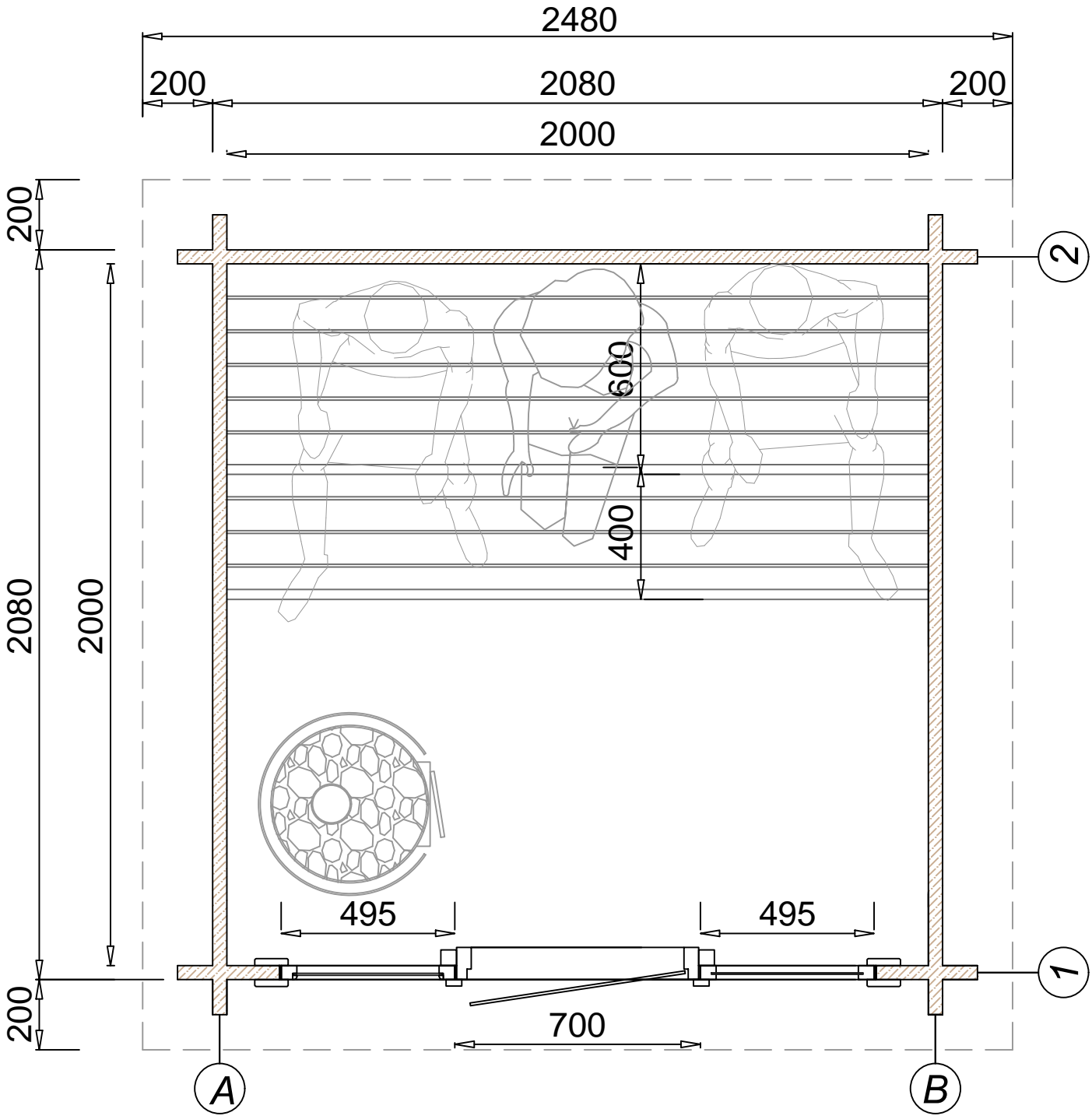
| | | | | | | | | |
|------|-----------------------------|--|--|---|--|--|--|--|
| RN-1 | WATER DRAINAGE GUTTER METAL | | | 1 | | | | |
|------|-----------------------------|--|--|---|--|--|--|--|

| Marking | | | Length | Pcs | | | | |
|---------|--|--|--------|-----|--|--|--|--|
|---------|--|--|--------|-----|--|--|--|--|

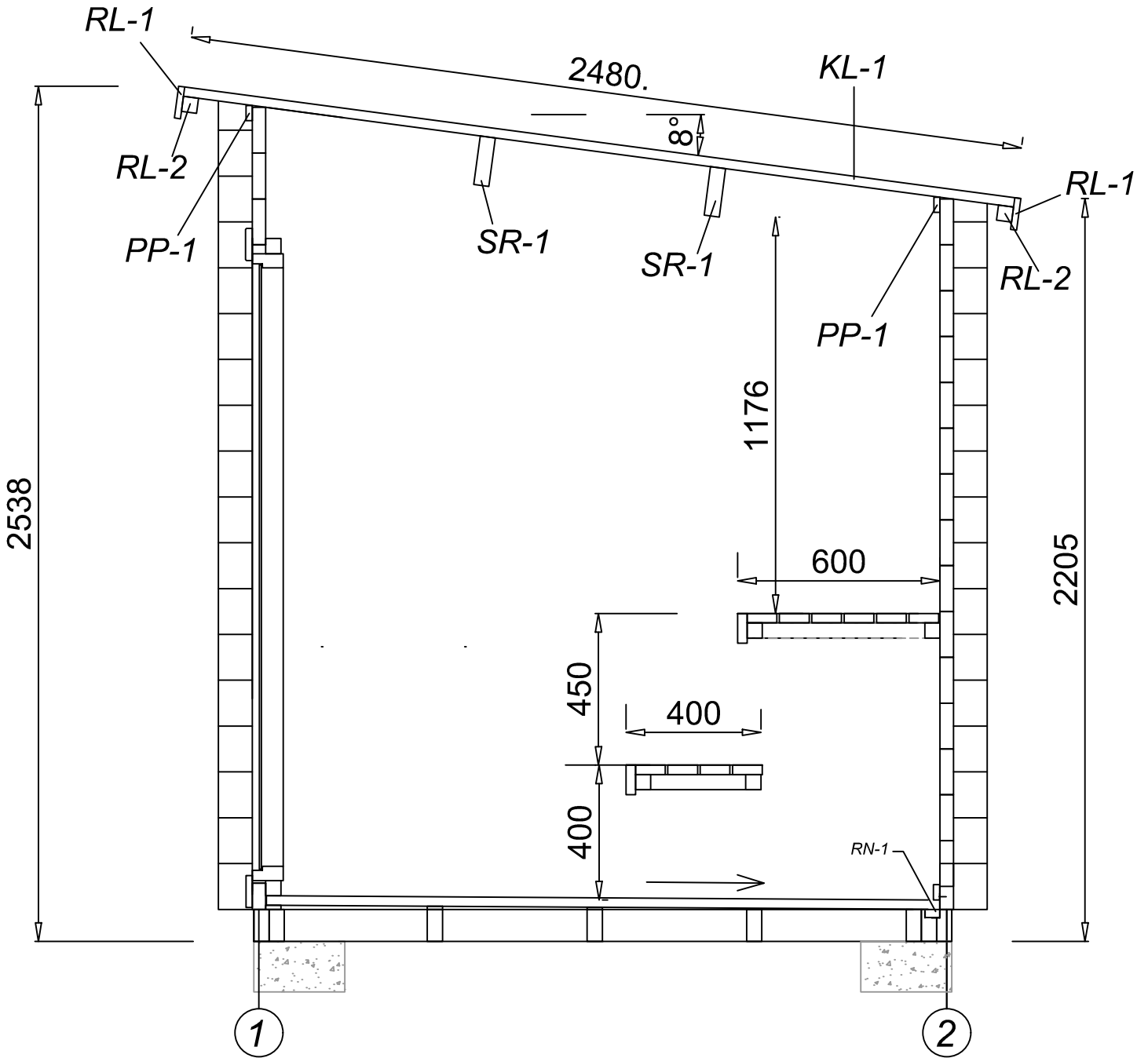
| | | | | | | | |
|--|--|--|------|--|--|--|--|
| | SCREW 3,5x40 A2 FOR MOULDINGS | | 100 | | | | |
| | SCREW 4,8x90 FOR CONNECTION WALL CORNERS | | 300 | | | | |
| | SCREW 3,5x50 FOR FLOOR BOARDS | | 200 | | | | |
| | SCREW 4,2x55 A2 FOR ROOF EDGE BOARDS | | 50 | | | | |
| | SCREW 4,5x70 FOR BENCH SUPPORTS AND ROOF SUPPORT | | 100 | | | | |
| | SCREW 5,0x90 FOR FLOOR FRAME AND WALL LOGS | | 100 | | | | |
| | SCREW 6x180 FOR WALL LOGS AND ROOF RAFTERS | | 25 | | | | |
| | NAIL 75 MM FOR ROOF BOARDS | | ~300 | | | | |

| | | | | | | | |
|--|--|--|---|--|--|--|--|
| | VENTILATION LOUVER WOOD D100 (INSIDE) | | 1 | | | | |
| | VENTILATION GRID METAL D100 (INSIDE AND OUTSIDE) | | 3 | | | | |

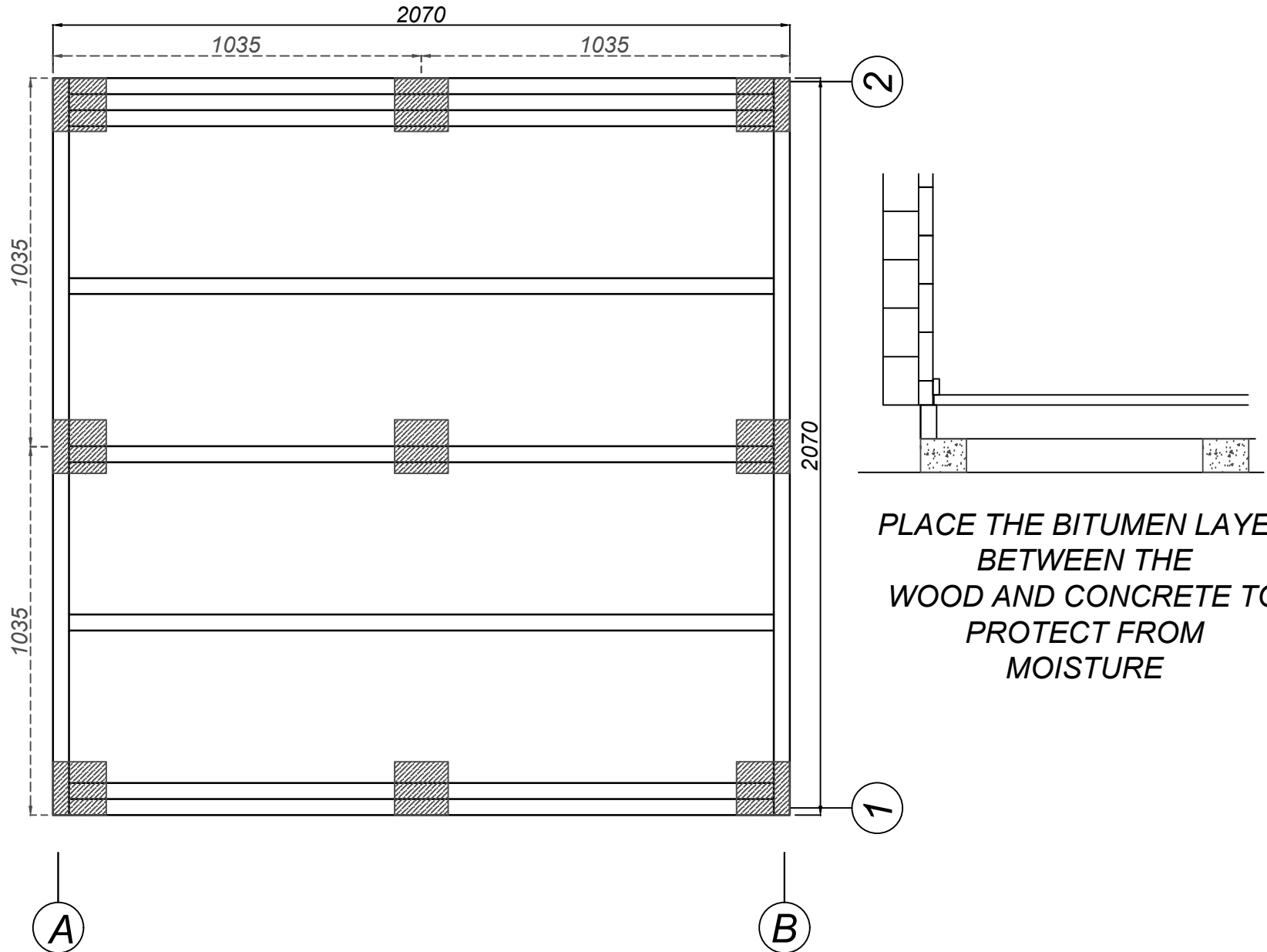
TOP VIEW



CROSS SECTION

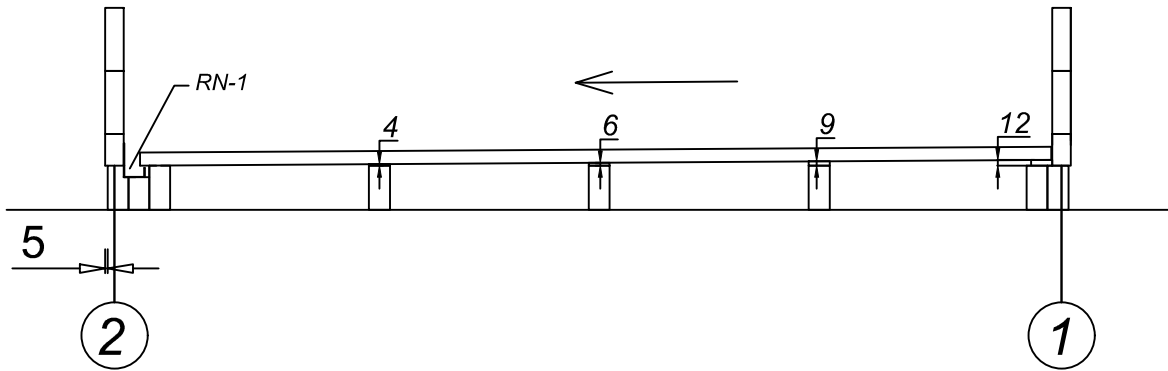


BASEMENT POSITIONING

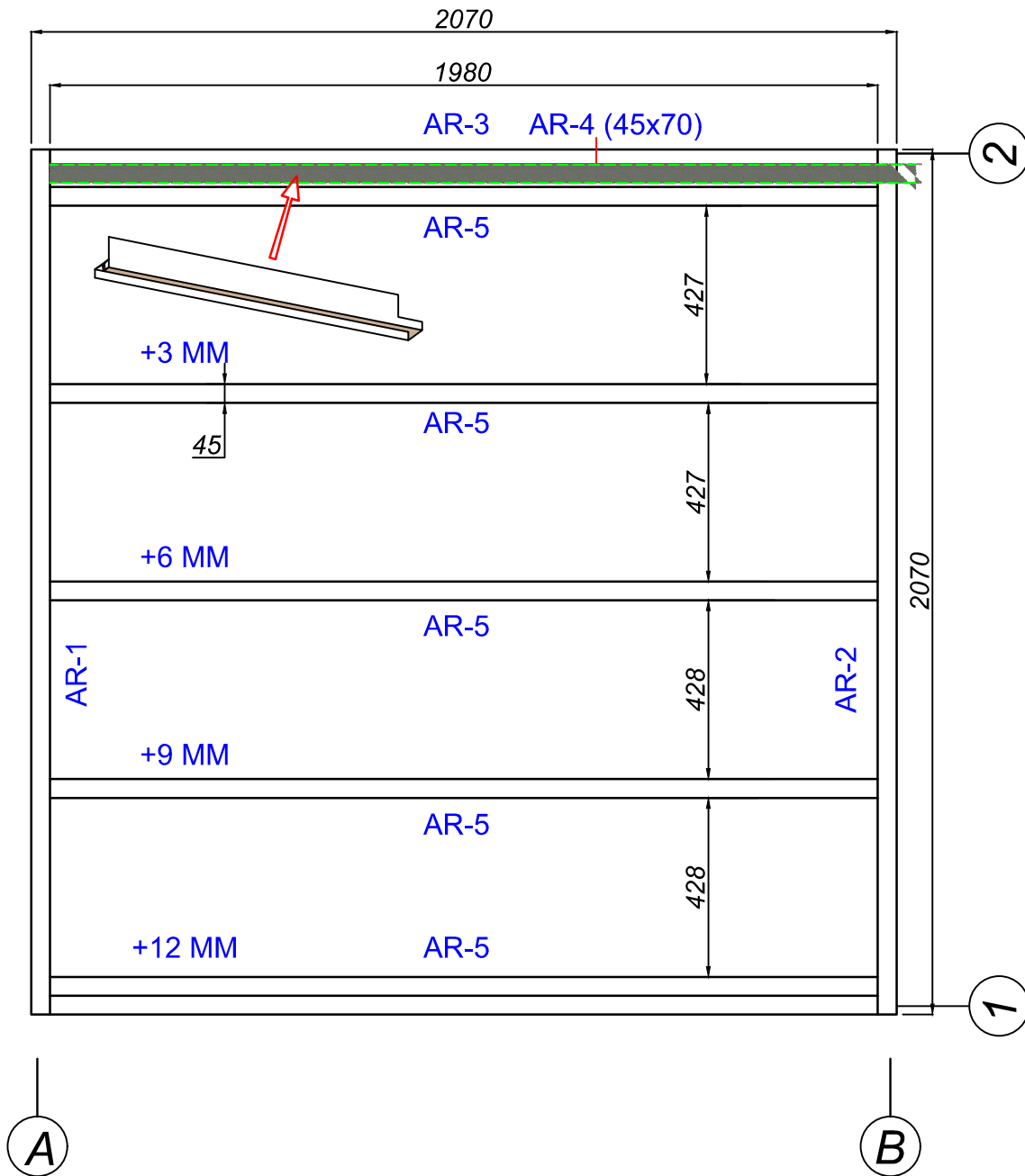
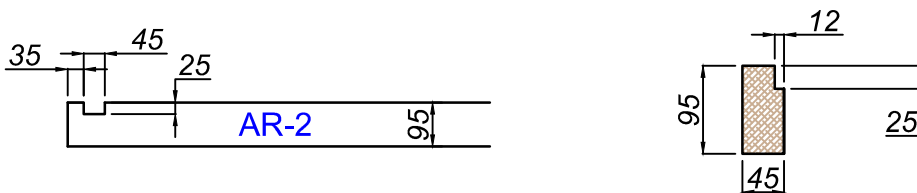


FLOOR FRAME 45x95

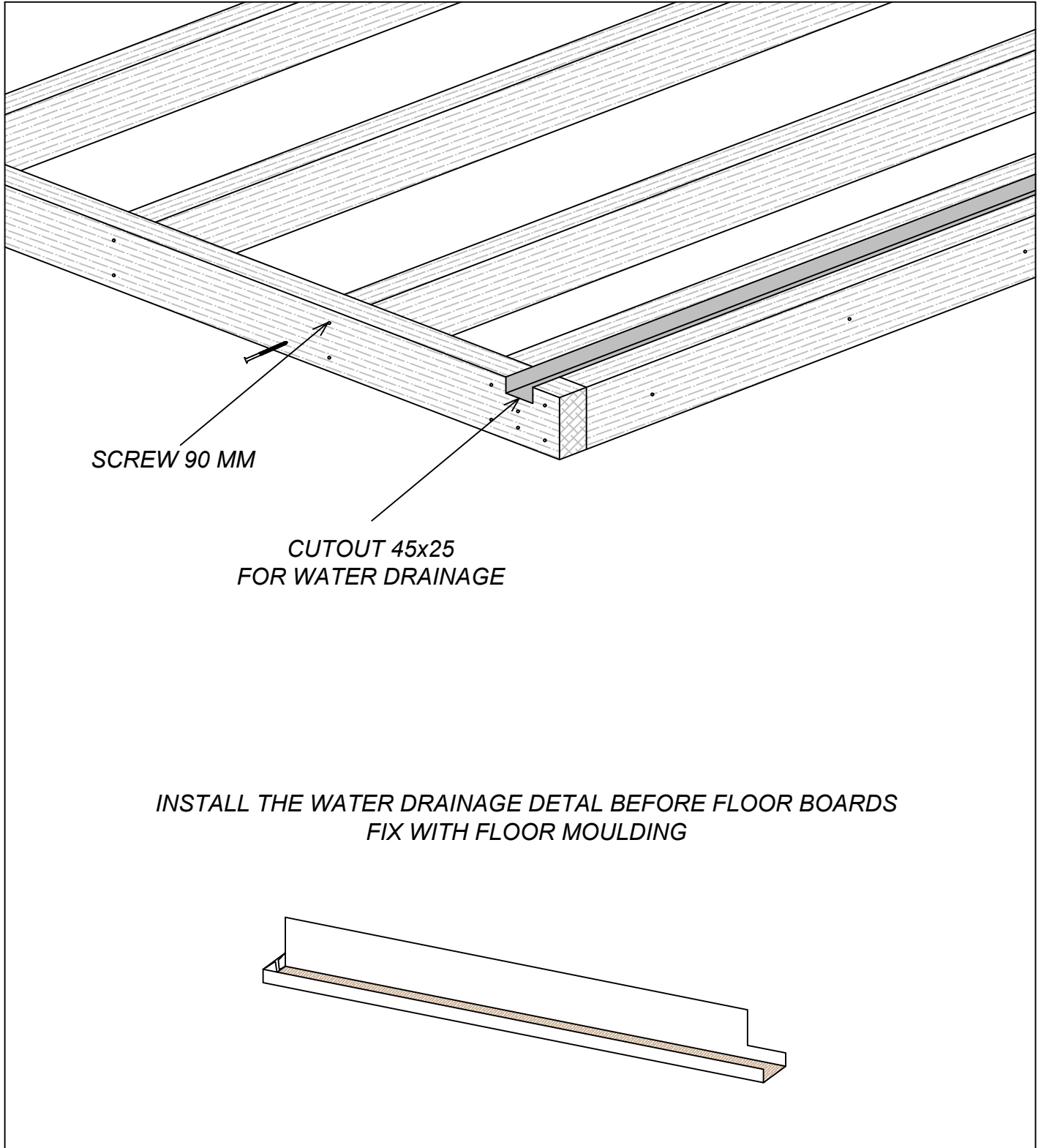
ADD DISTANCE BOARDS UNDER THE FLOOR BOARDS
FOR FLOOR SLOPE



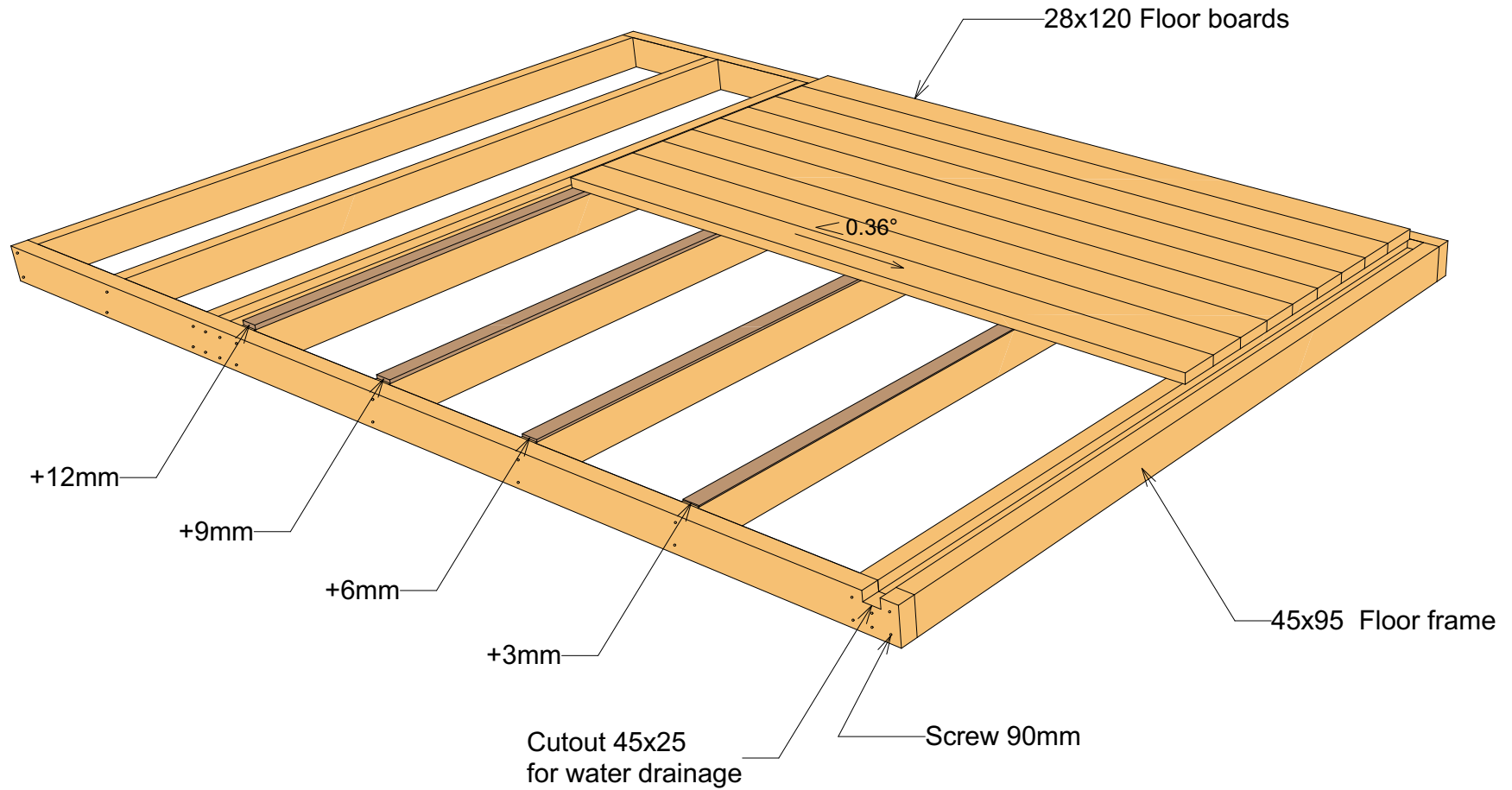
AR-3 CROSS-SECTION



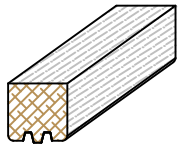
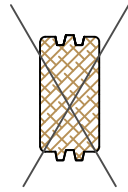
FLOOR FRAME



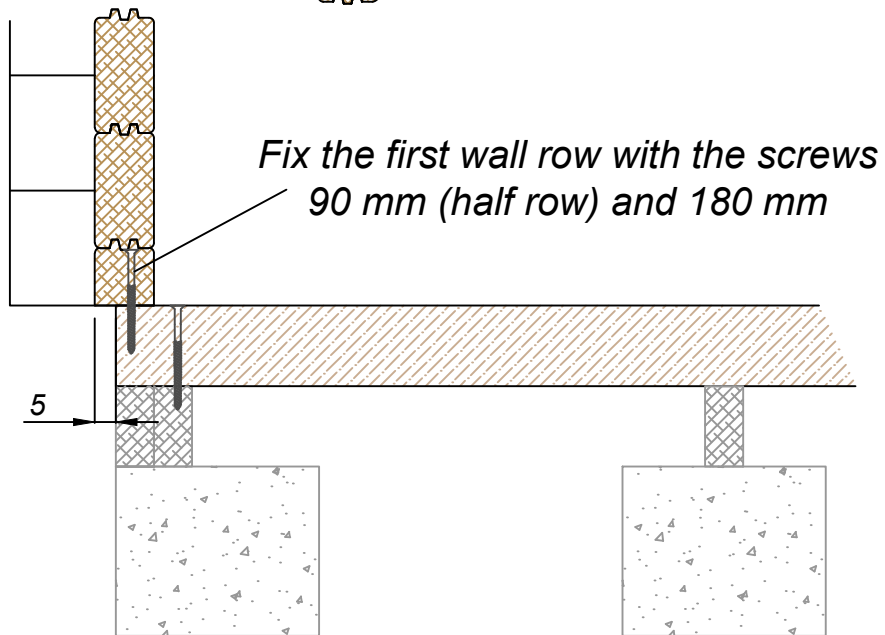
INSTALLATION OF THE SLOPE DETAILS (3, 6, 9, 12 MM)



FIRST ROW



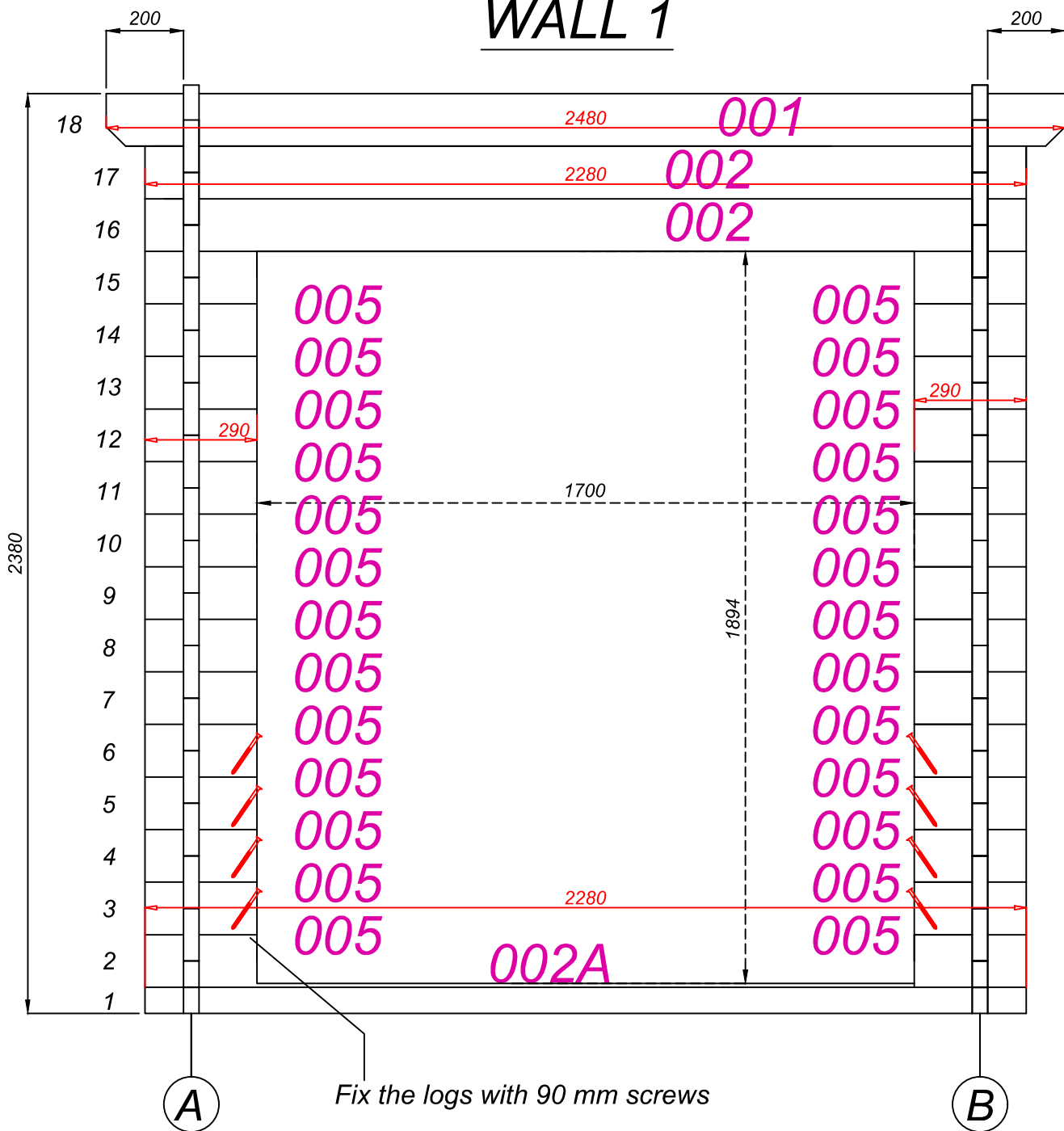
Use rubber hammer and hammer block



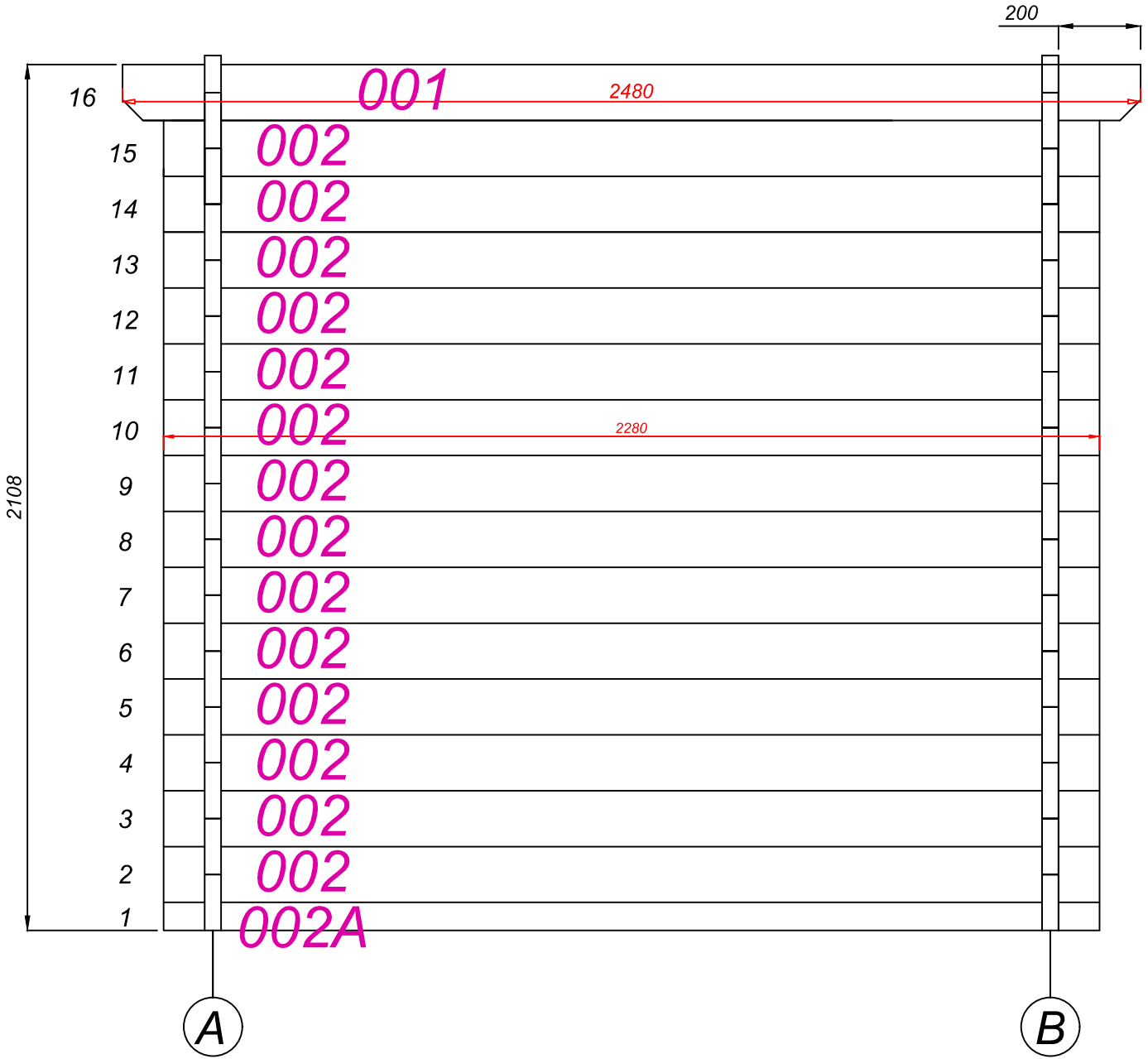
***IN EACH CONNECTION USE 90 MM SCREWS
(TO PROTECT THE BUILDING FOR WIND)***



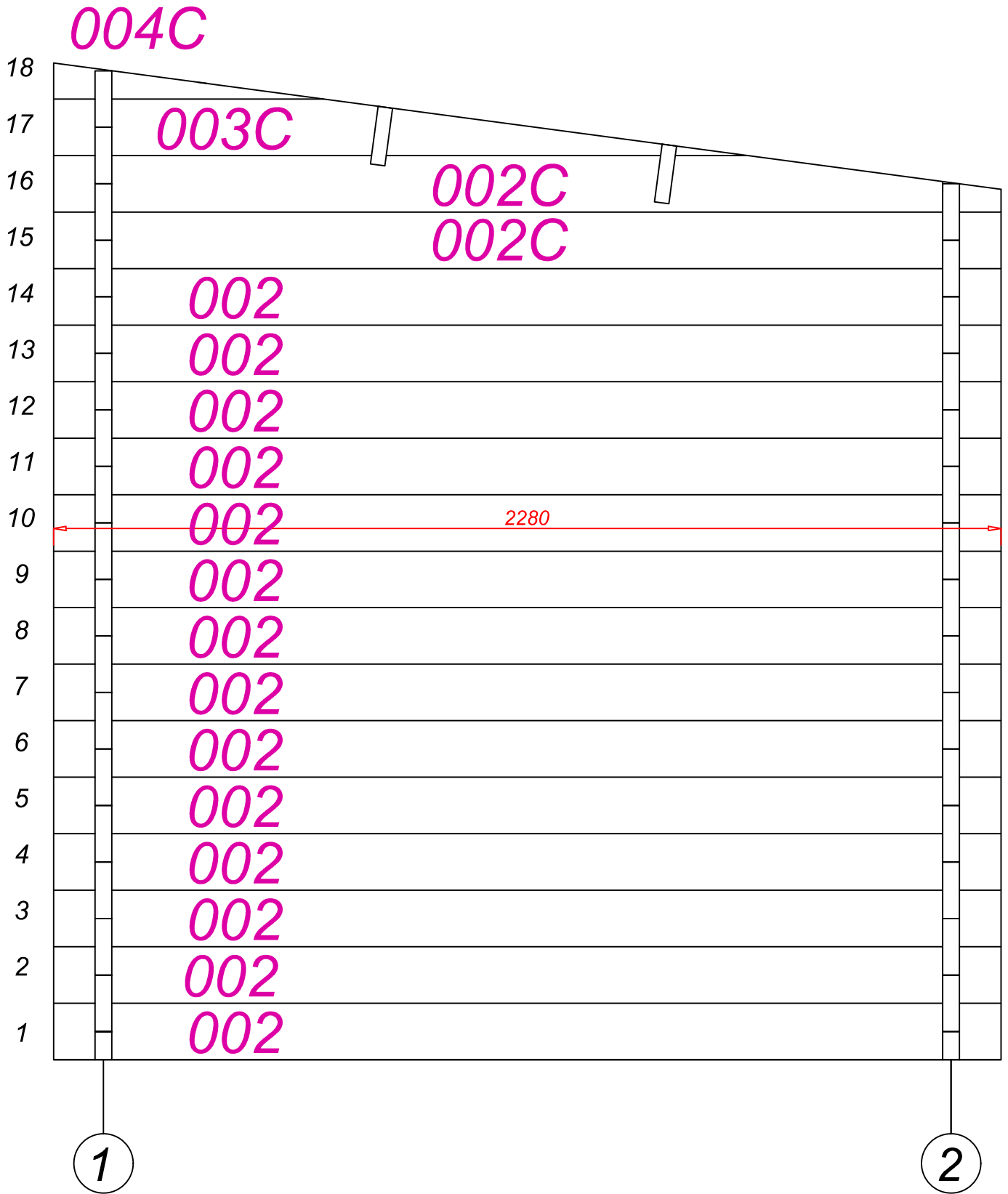
WALL 1



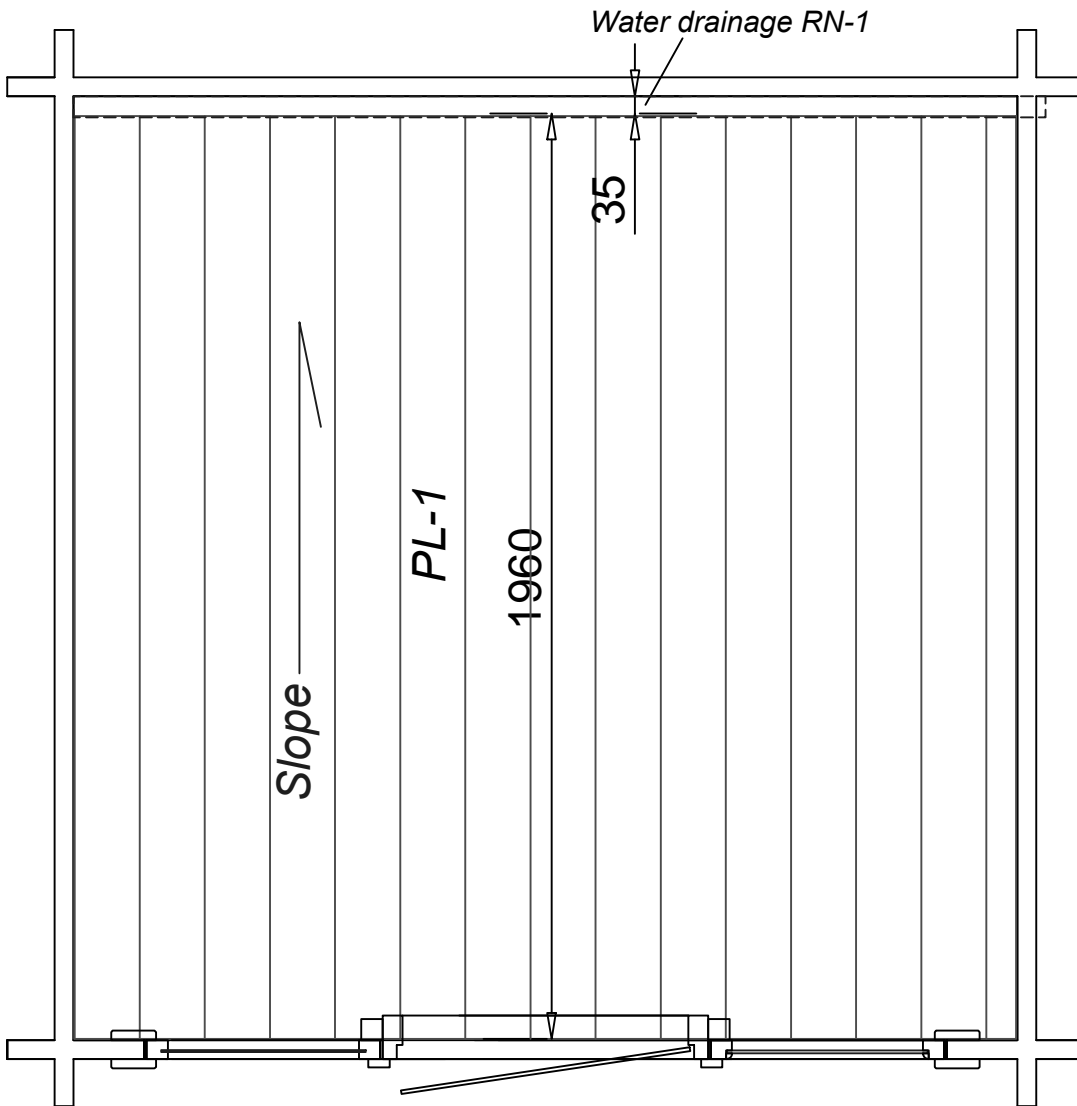
WALL 2



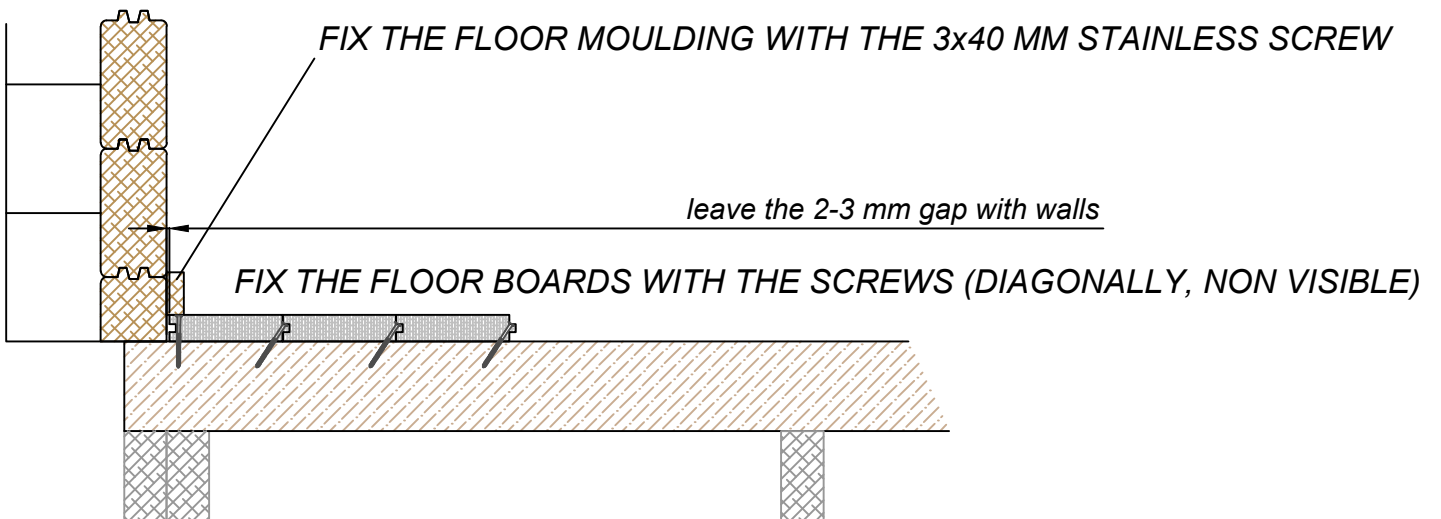
WALL A & WALL B



FLOOR BOARDS

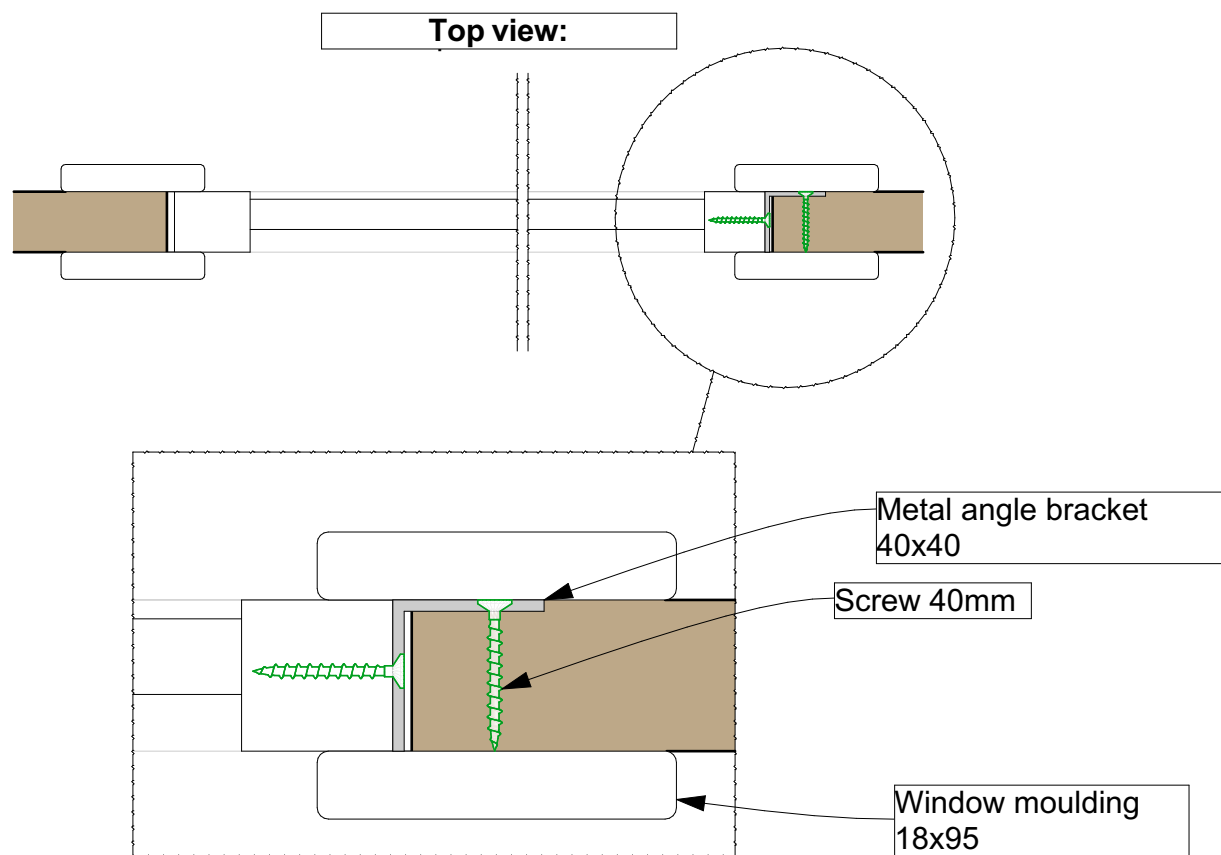


BEFORE THE FLOOR BOARD, INSTALL FLOOR SLOPE DETAILS

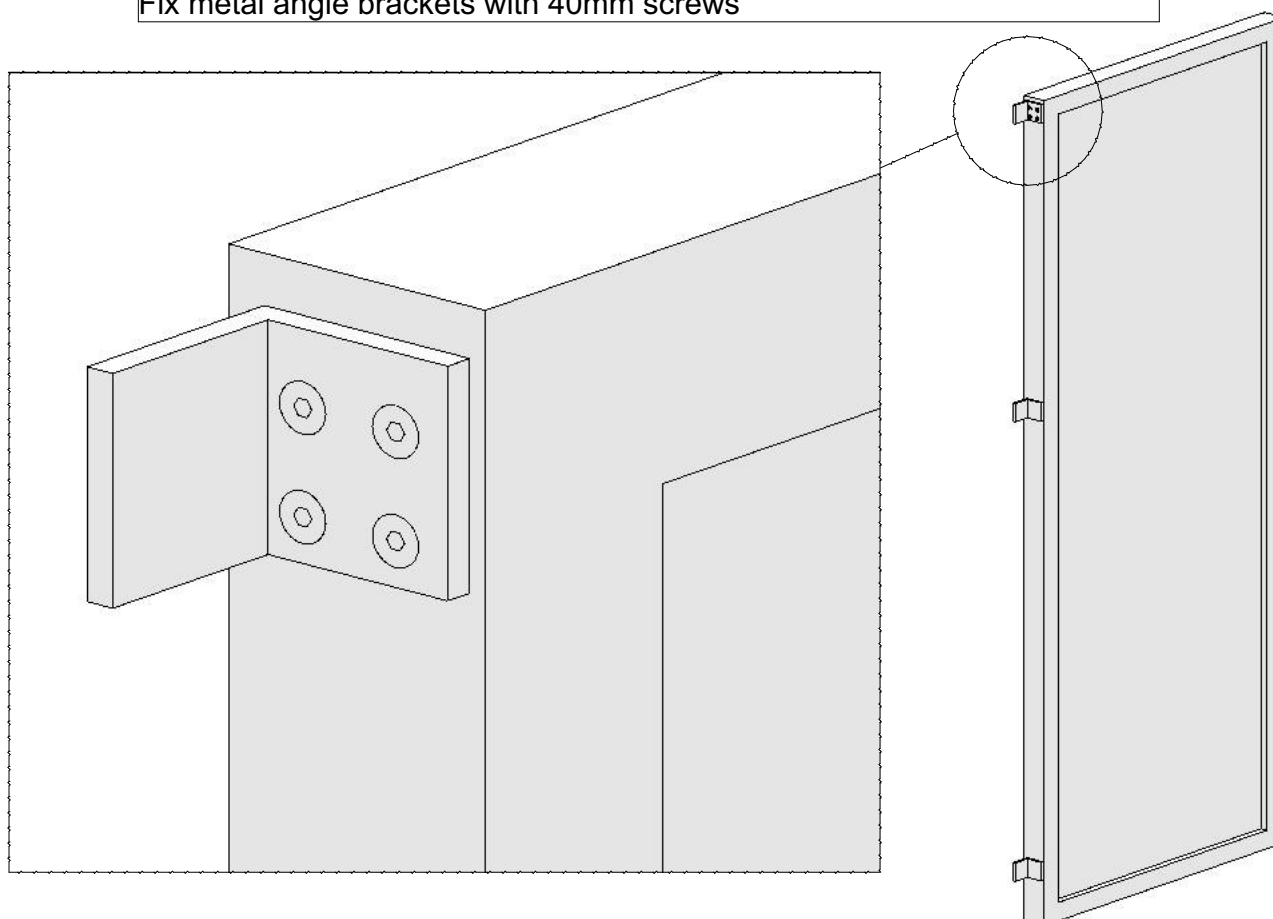


Door and window

1. Install both windows to the wall with 40x40 angle brackets

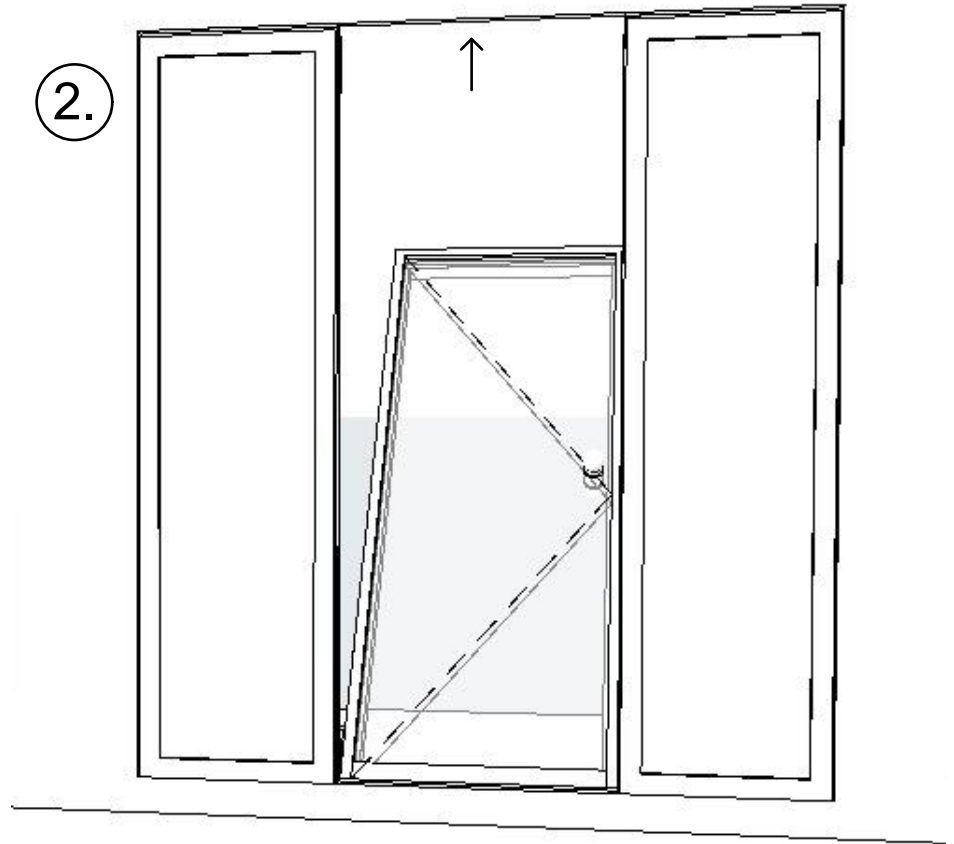


Fix Metal angle bracket 40x40 to the window frame and wall log.
Fix windows with 6 metal angle brackets (3 per side)
Fix metal angle brackets with 40mm screws

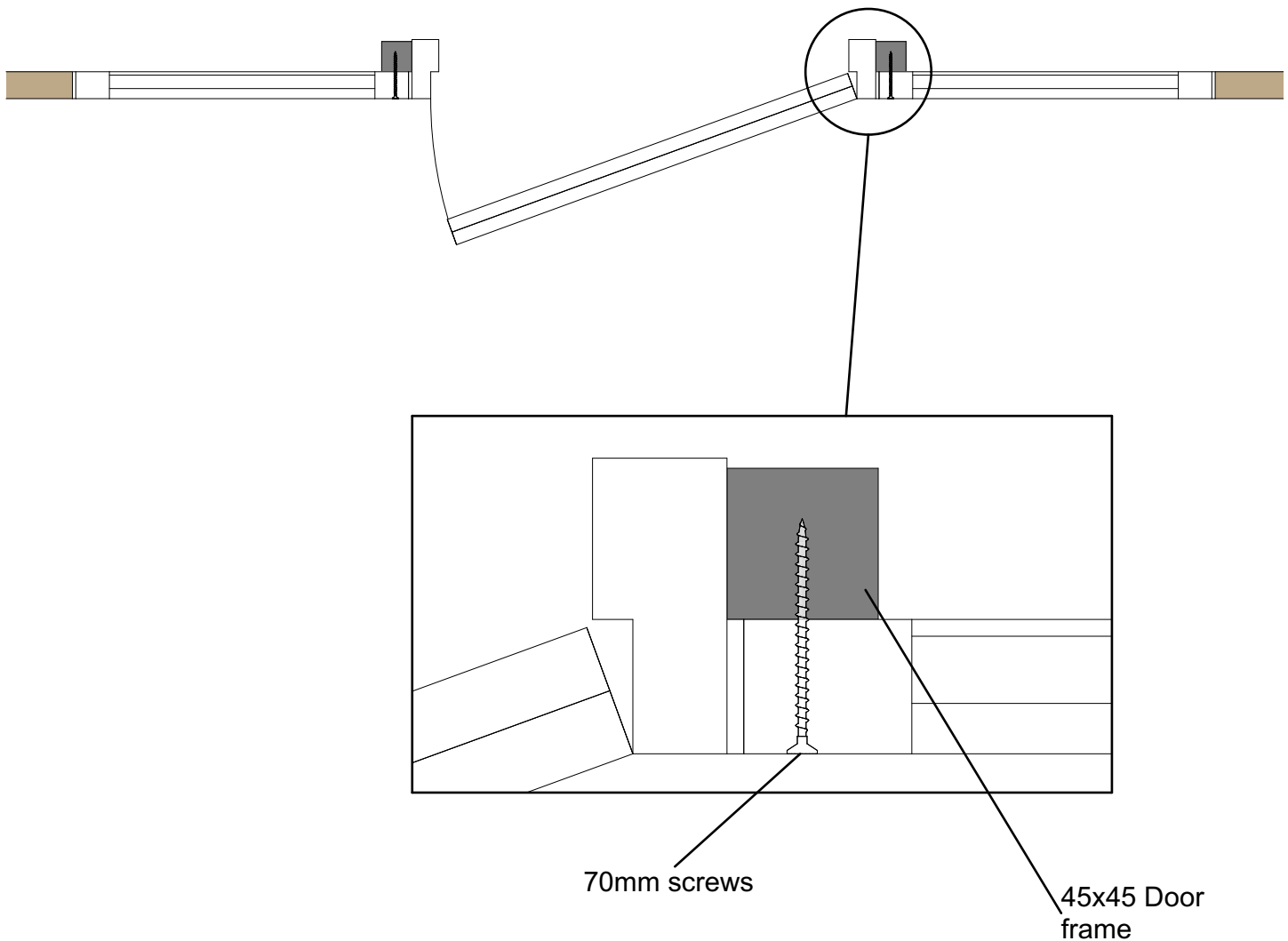


Door and window

2. Lift the door in from inside

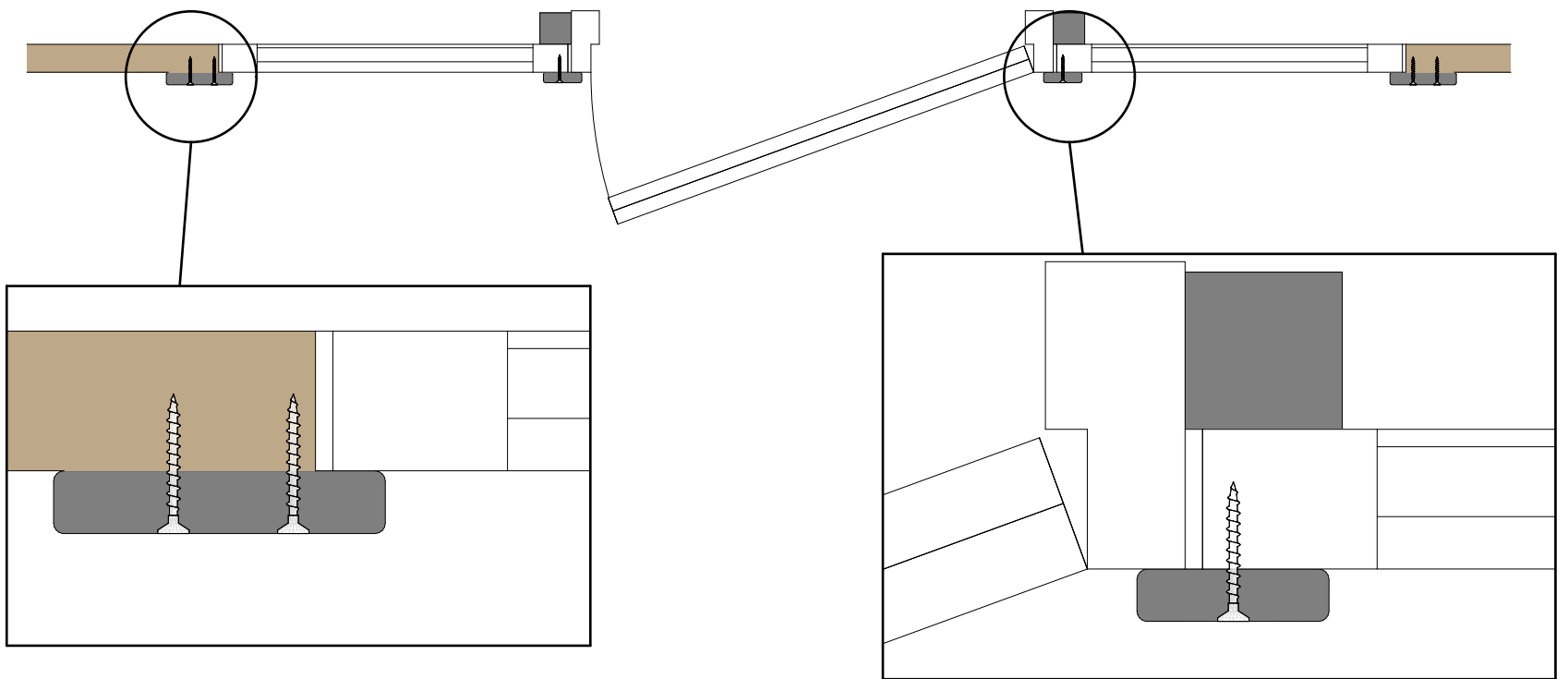


3. Connect window and door with 70mm screws

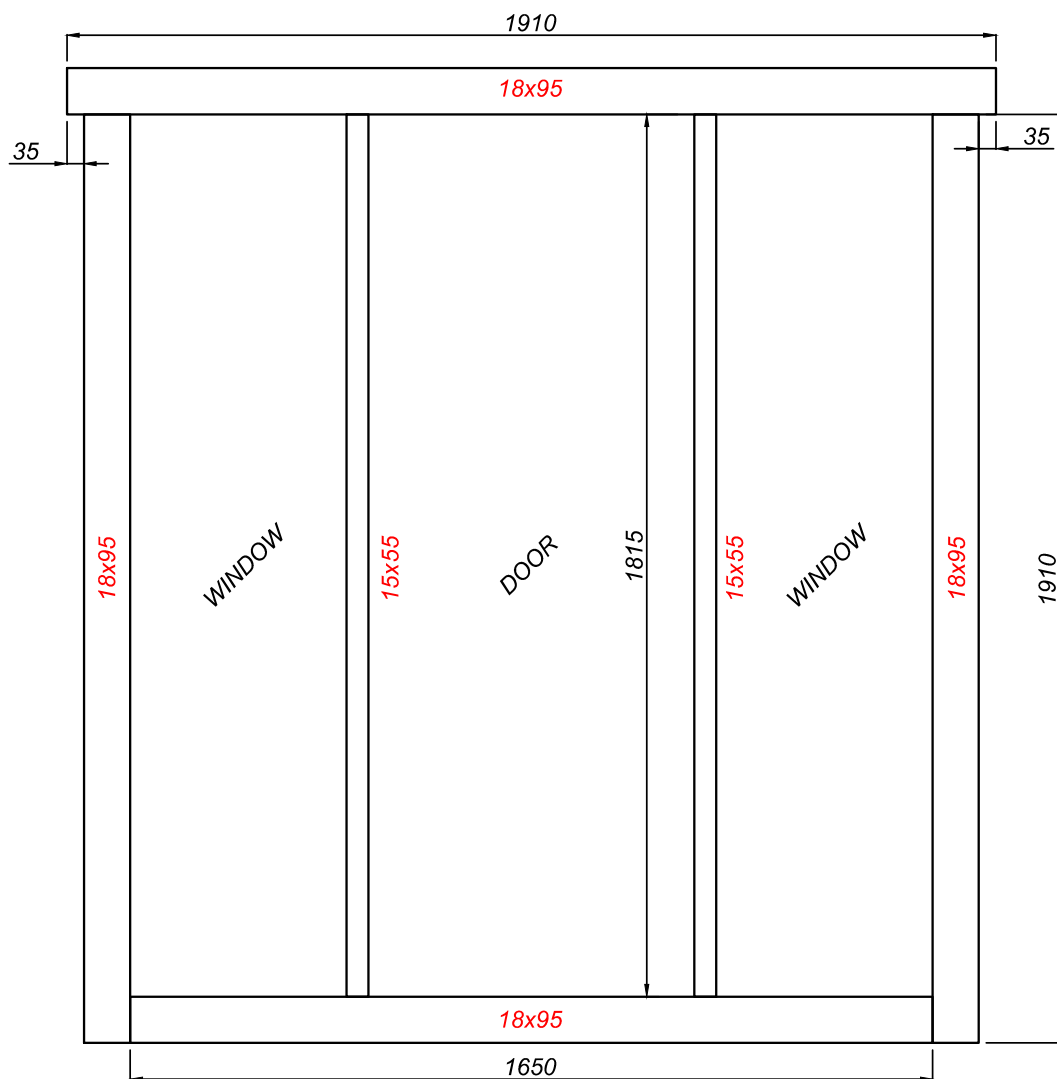


Door and window

4. Attach outside mouldings with 40mm stainless screws

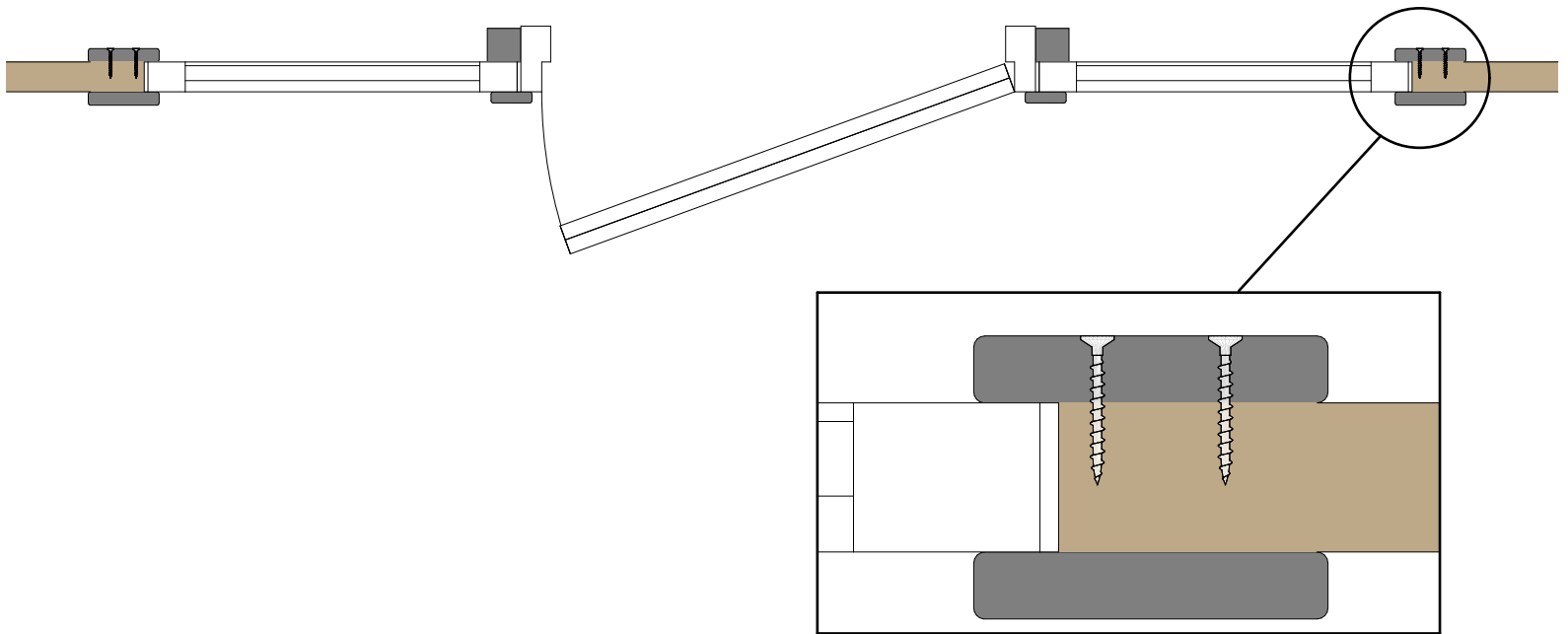


View from outside:

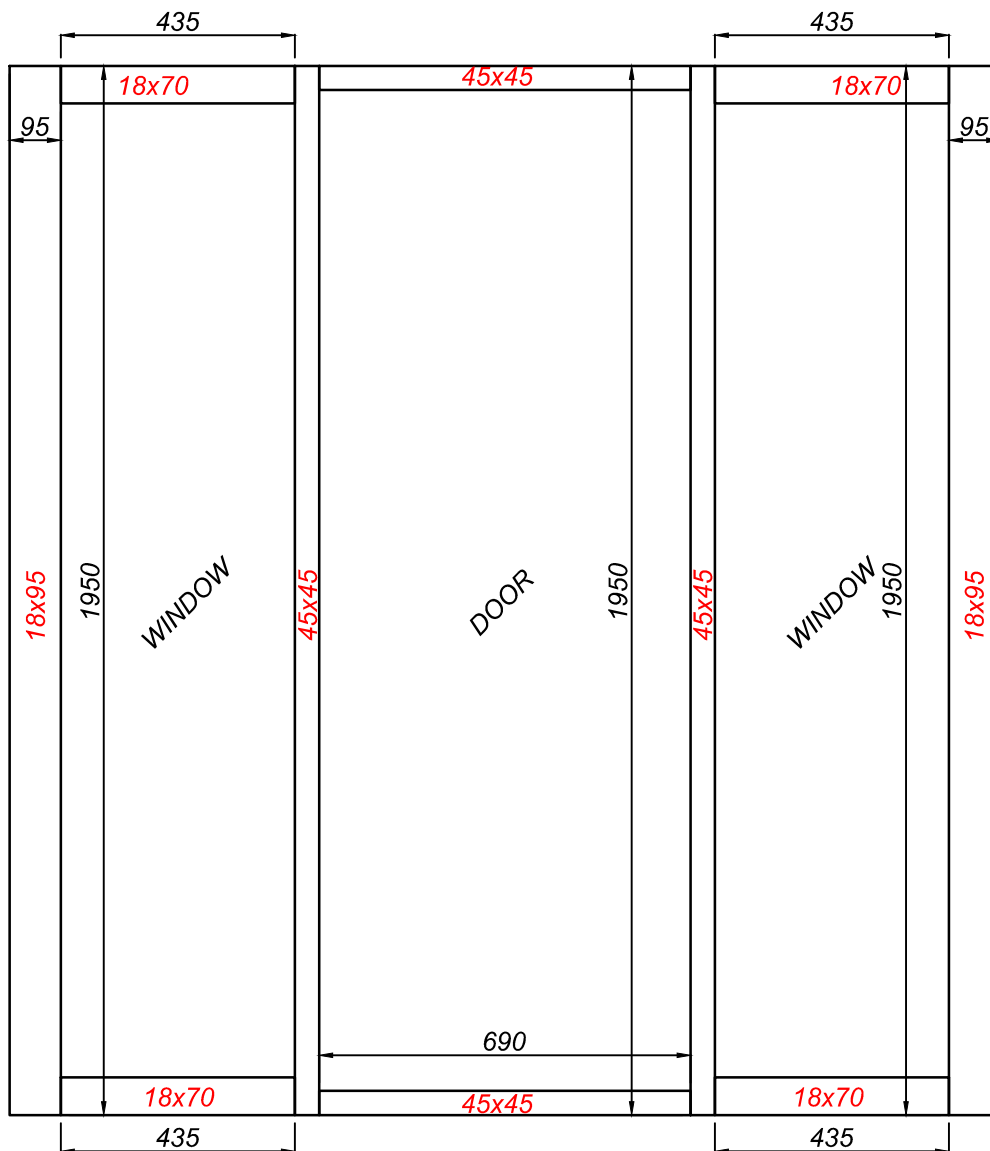


Door and window

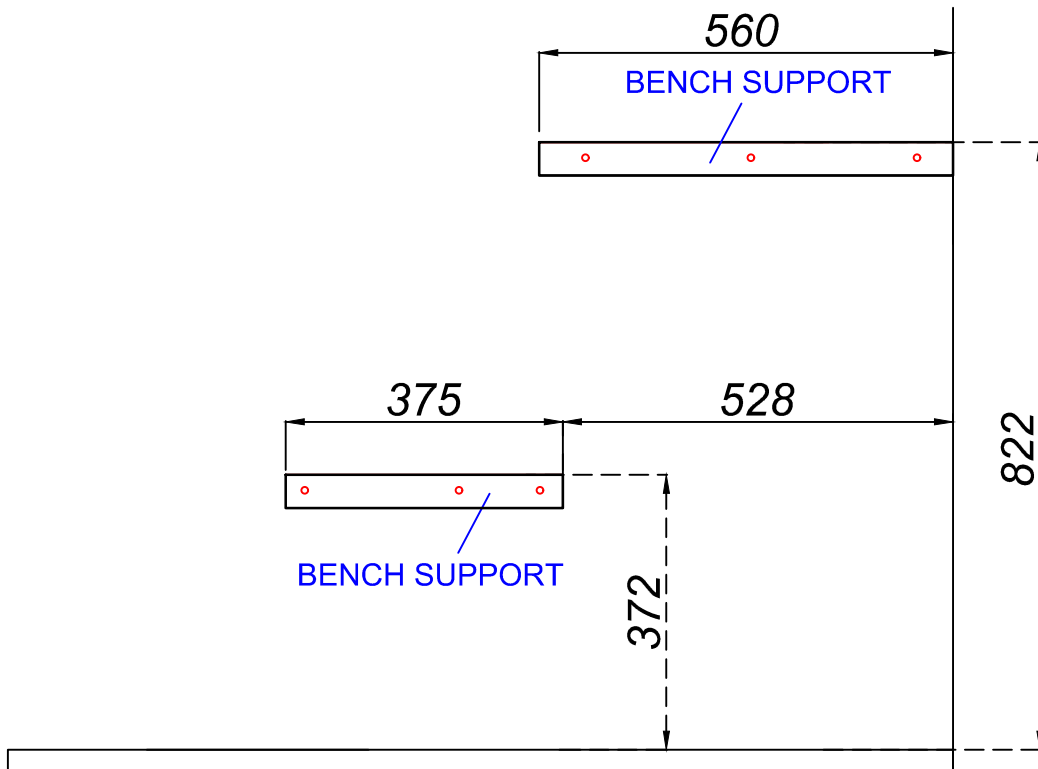
5. Attach inside mouldings with 40mm stainless screws



View from inside:



BENCH SUPPORTS



1. FIRST FIX THE BENCH SUPPORTS TO THE WALL
2. THEN LIFT THE BENCHES ON TOP OF THEM
3. FIX THE BENCHES WITH THE 70 MM SCREWS TO THE WALLS AND SUPPORTS
4. USE VERTICAL SUPPORT TO SUPPORT THE BENCH FROM THE MIDDLE

