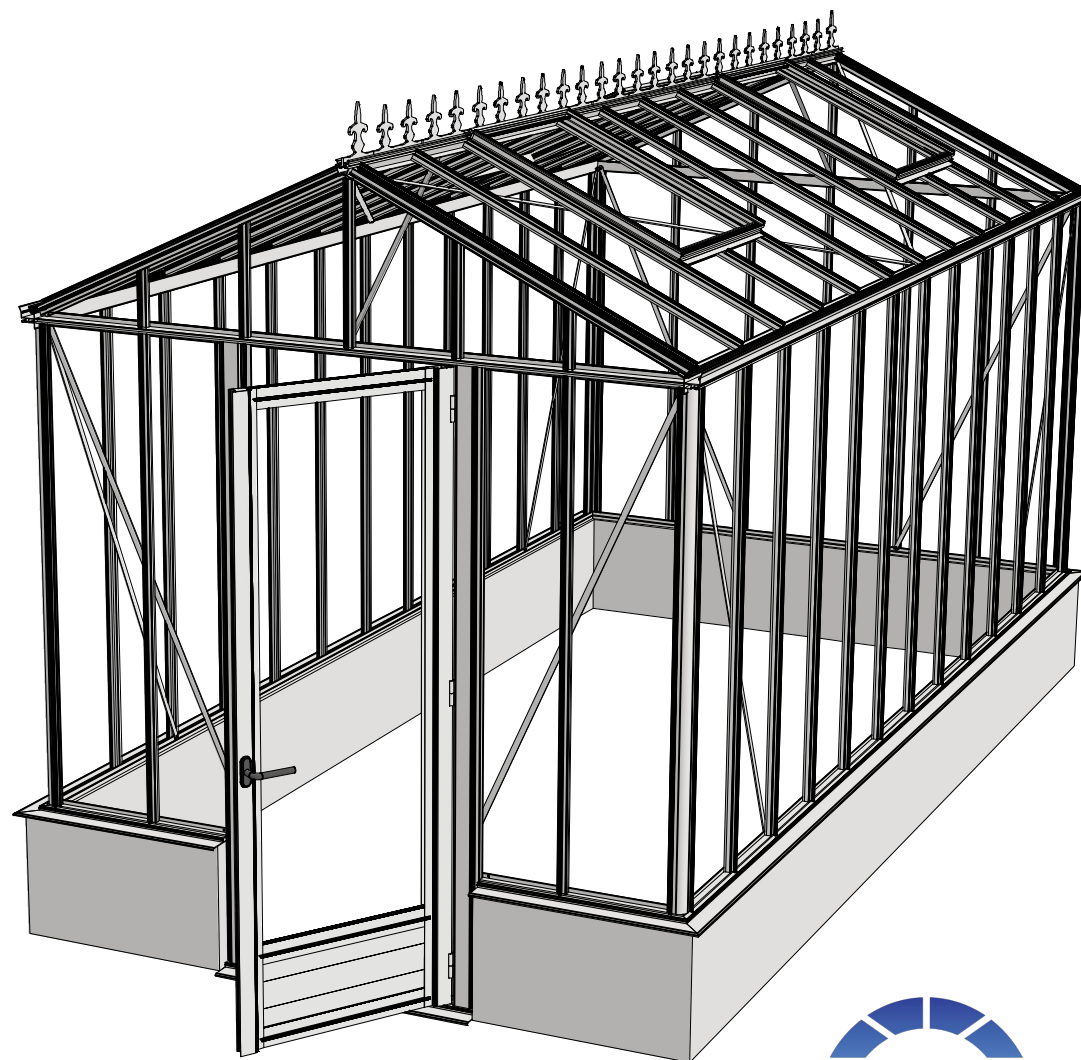
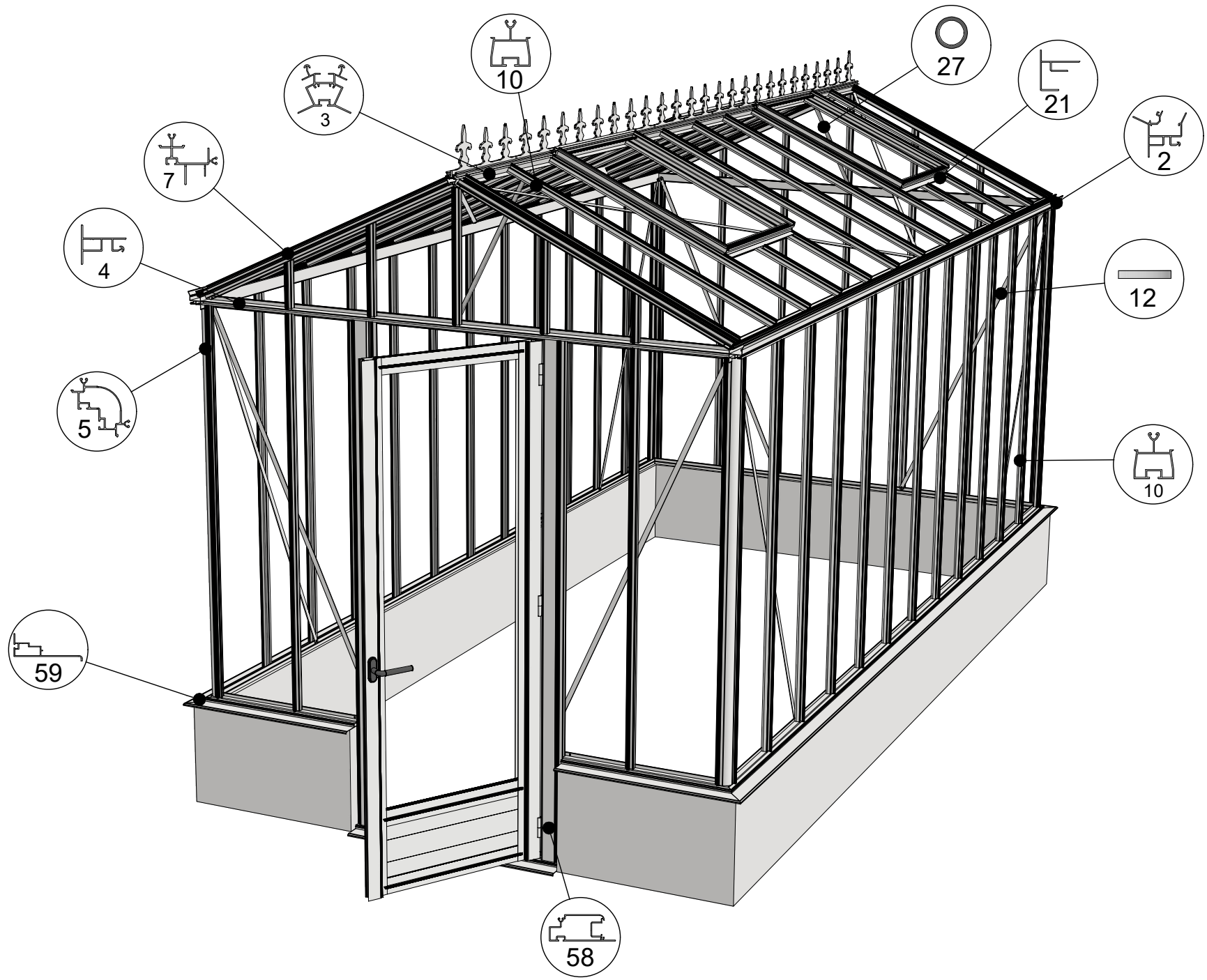
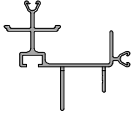
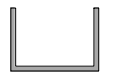


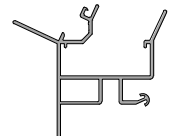

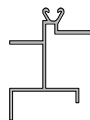
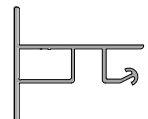

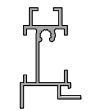
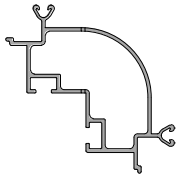


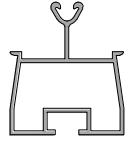
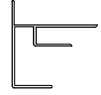
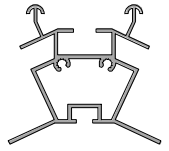


Gothic 2,36.



08-11-2023



Profile list											
-	NR	Profile NR	-	NR	Profile NR	-	NR	Profile NR	-	NR	Profile NR
	7	7151		U35	U35		18	17542		40	B32
	2	11788		12	7070		19	17543			
	4	17549		59	9249		20	28513			
	5	17548		58	12960		27	B18			
	10	17541		21	19577		3	8642			

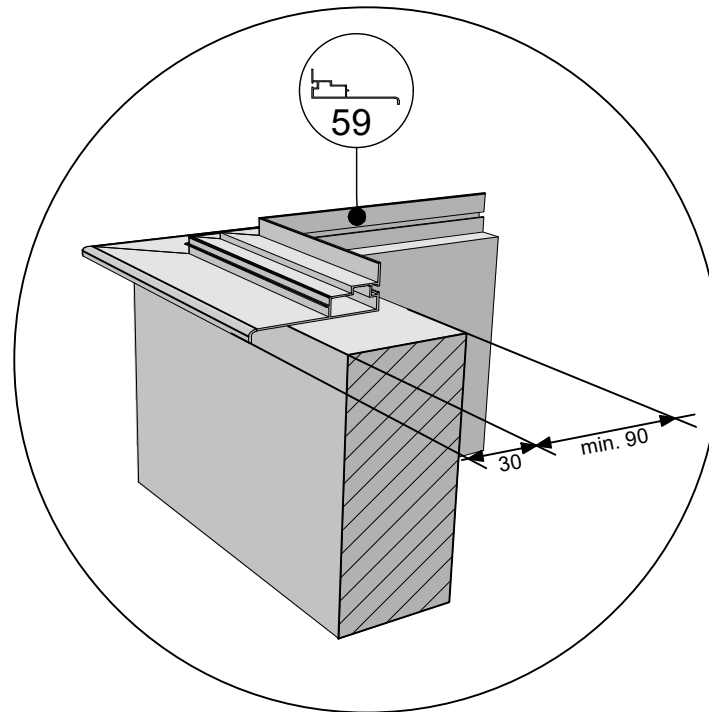
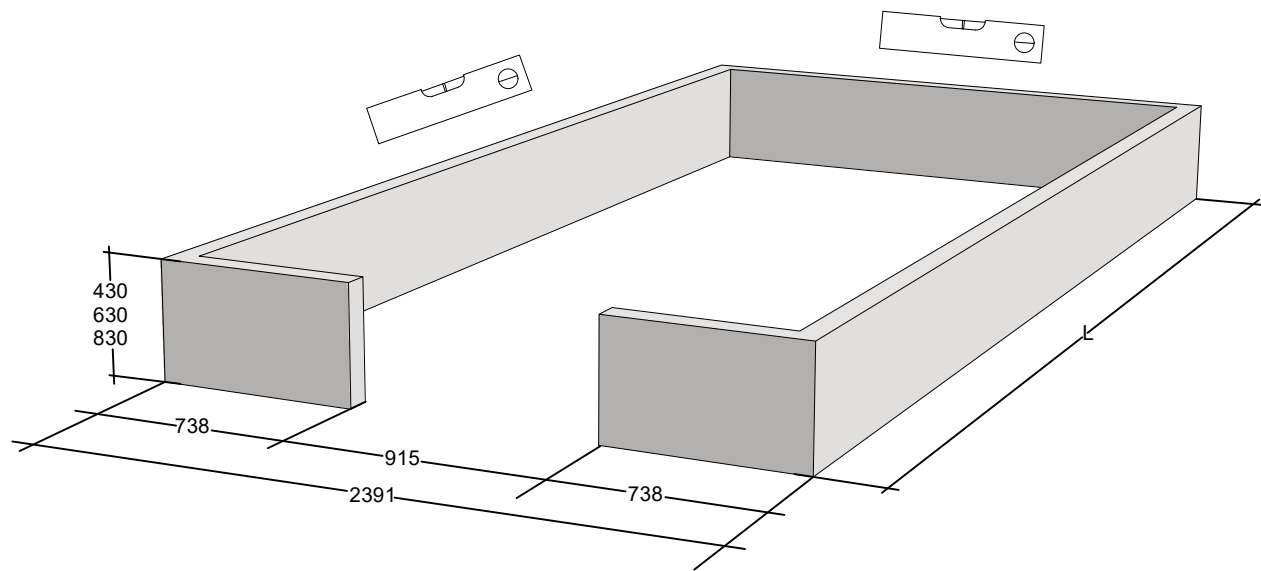
- Attention! Check inside the foundation for more profiles.
- Please fasten screws and nuts hand-tight.

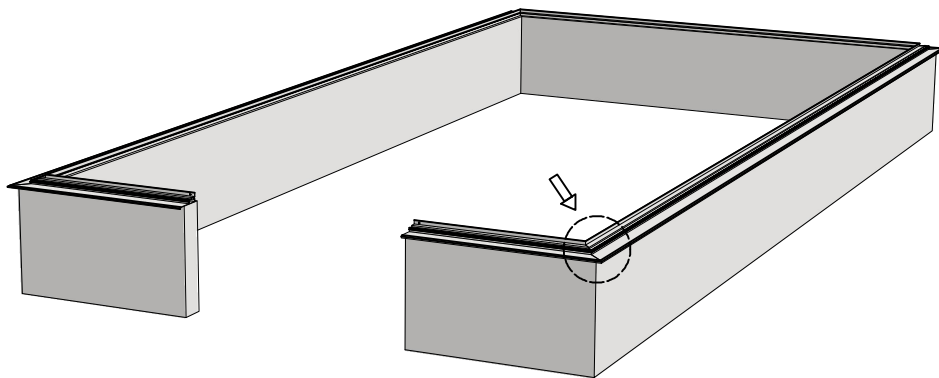
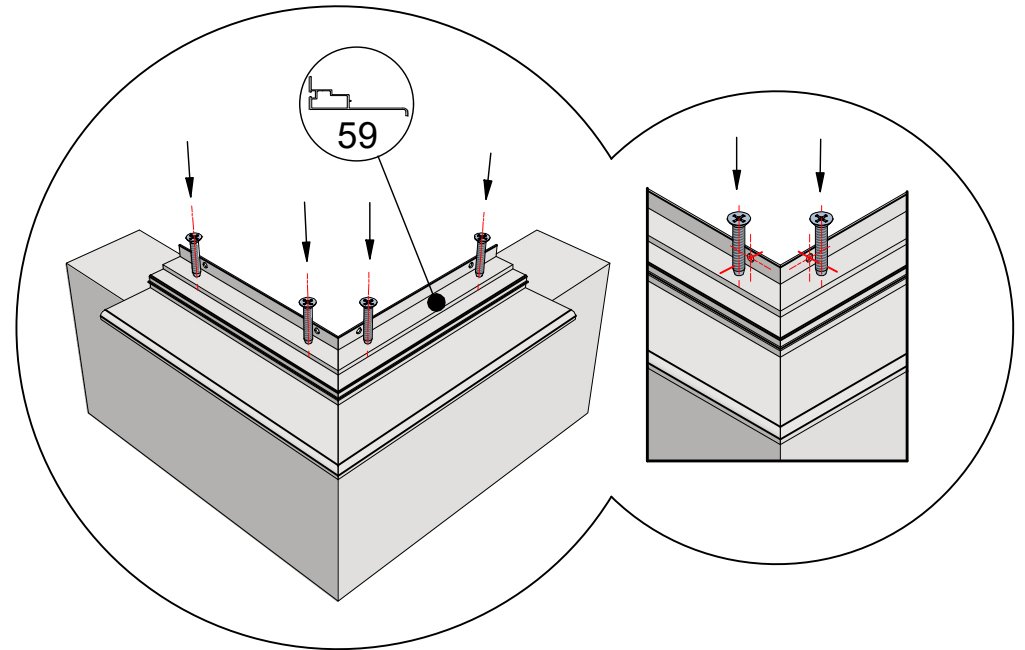
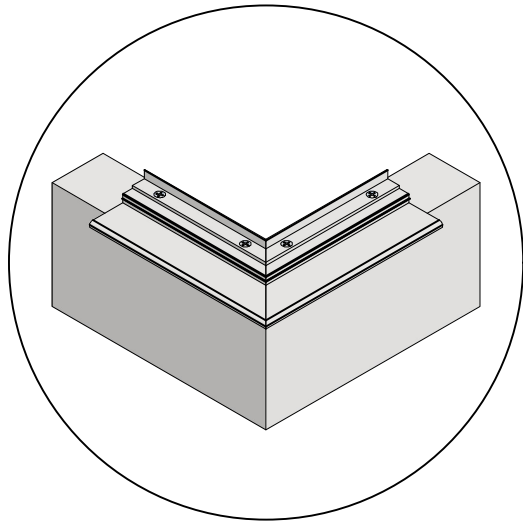
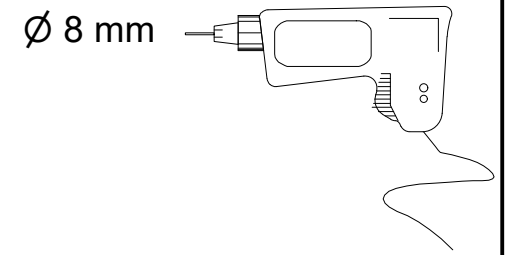
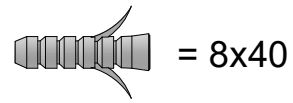
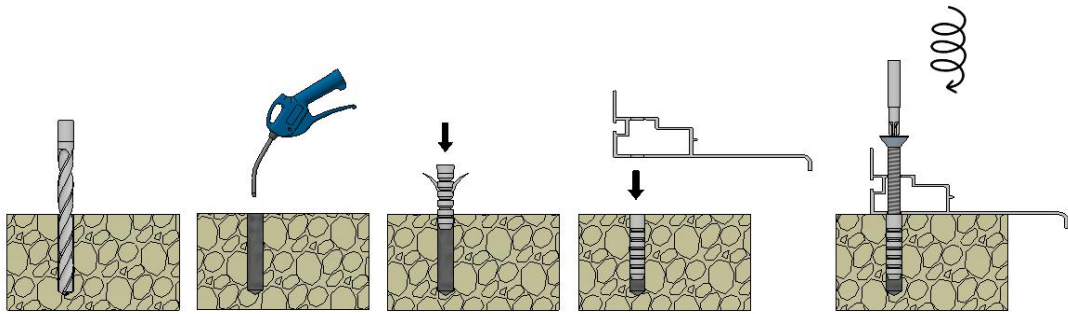
- Achtung! Prüfen sie das fundament für weitere profile.
- Schraube und Mutter bitte handfest festziehen.

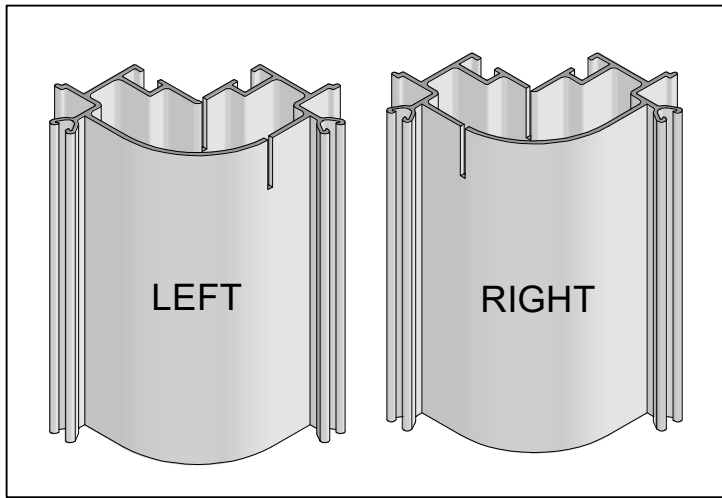
- Opgelet! kijk in de fundering voor andere profielen.
- Bout en moer a.u.b. handvast aandraaien.

- Attention! Regarde à l'intérieur du fondation pour plussier profils.
- Serrez les écrous et vis à la main s.v.p.

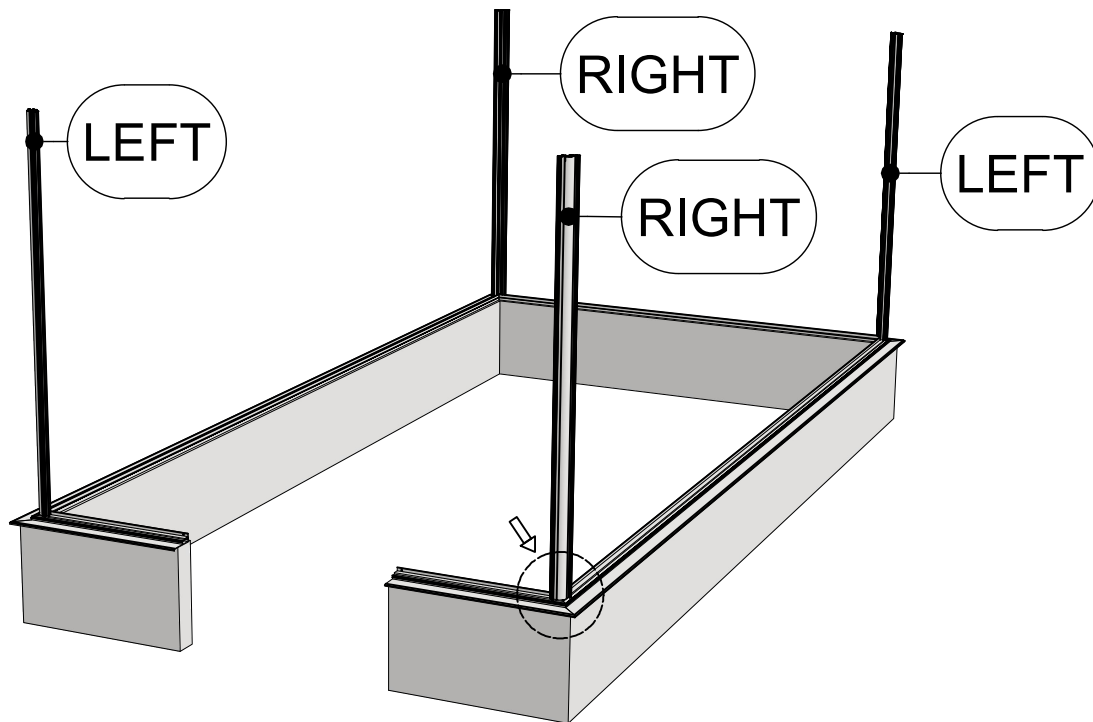
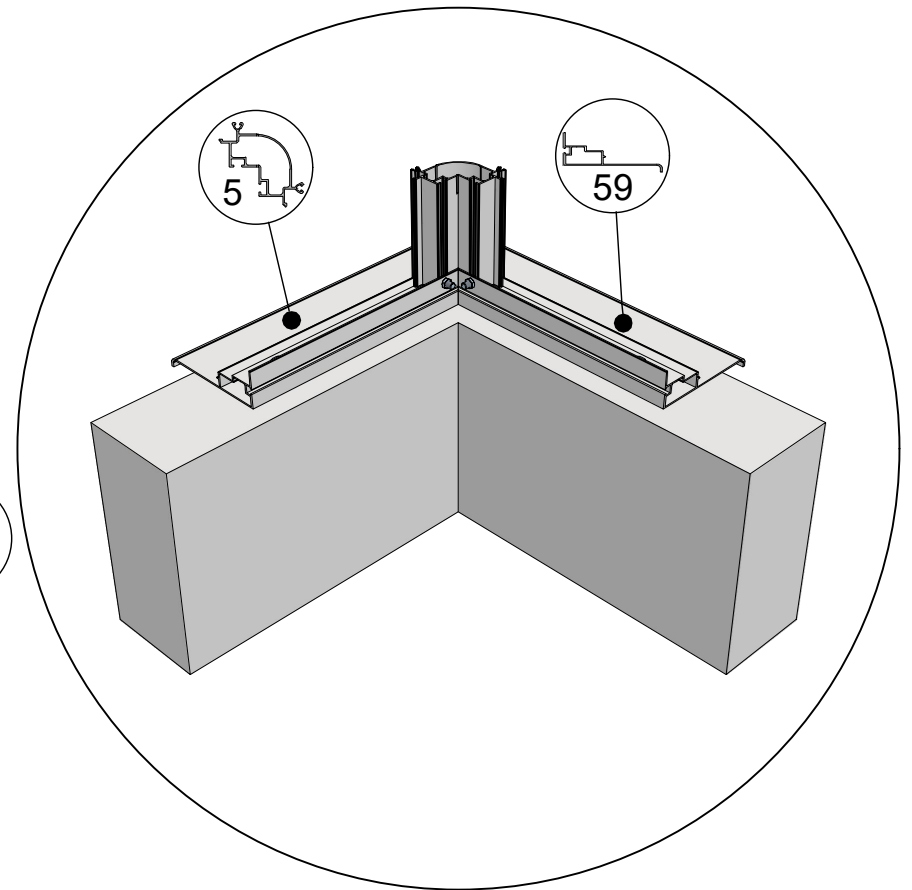
- Observera at en del profiler ligger i sockelprofilen!!
- Dra åt skruven och muttern handfast.




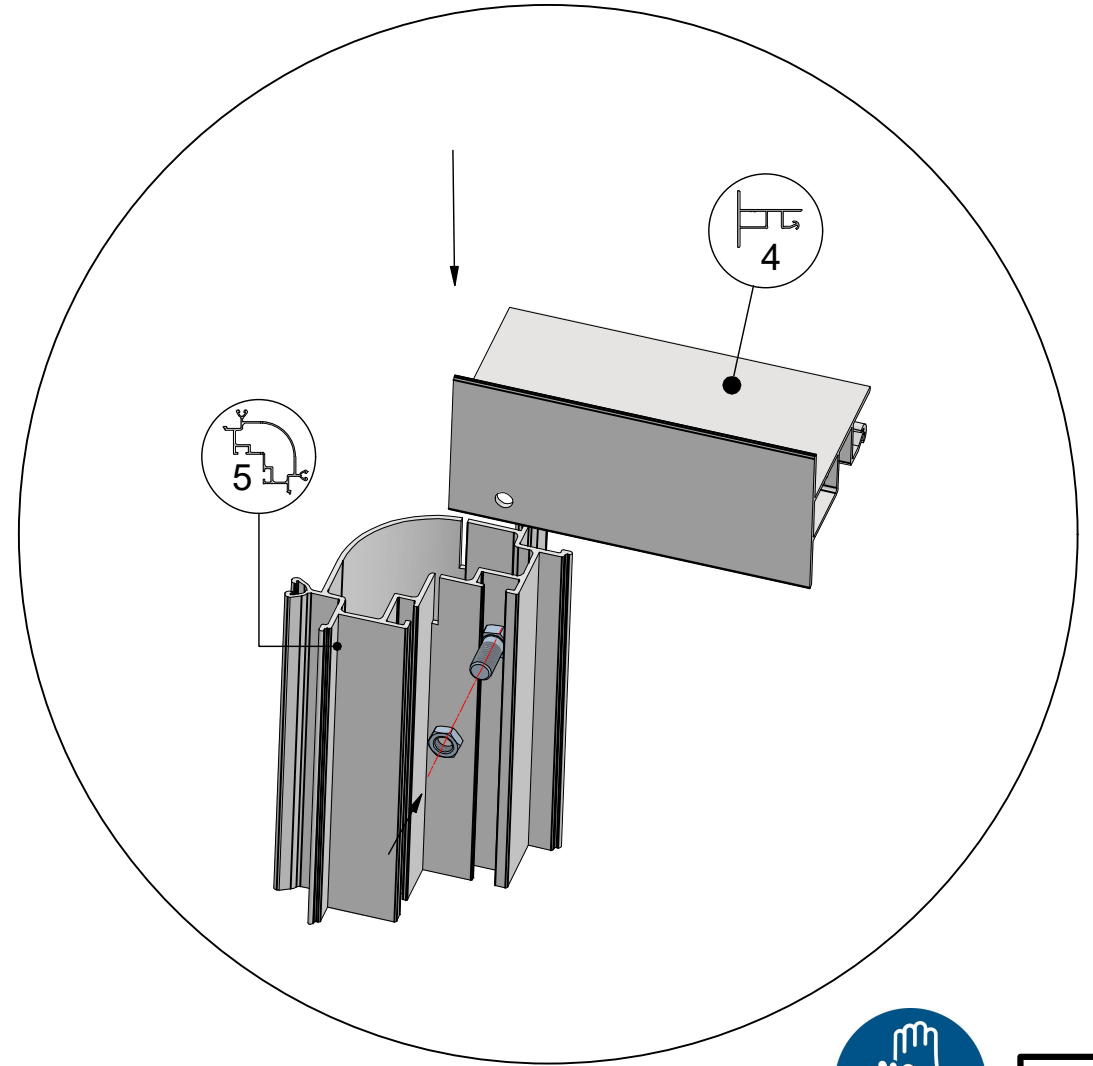
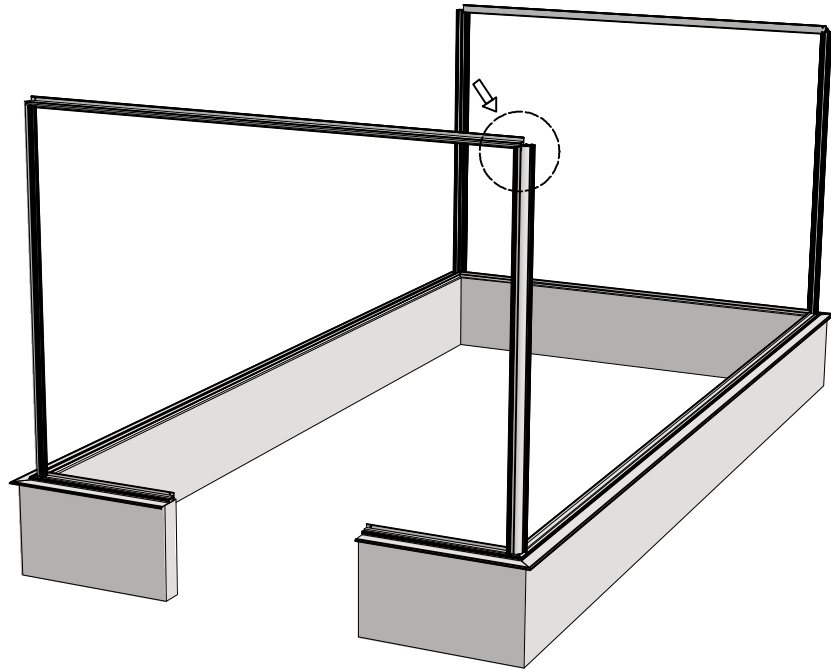
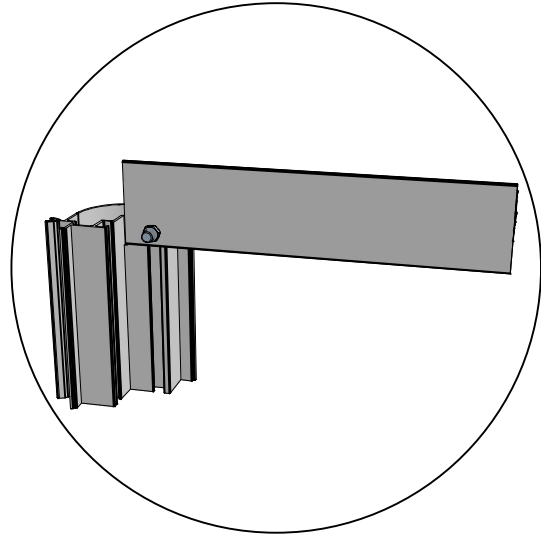




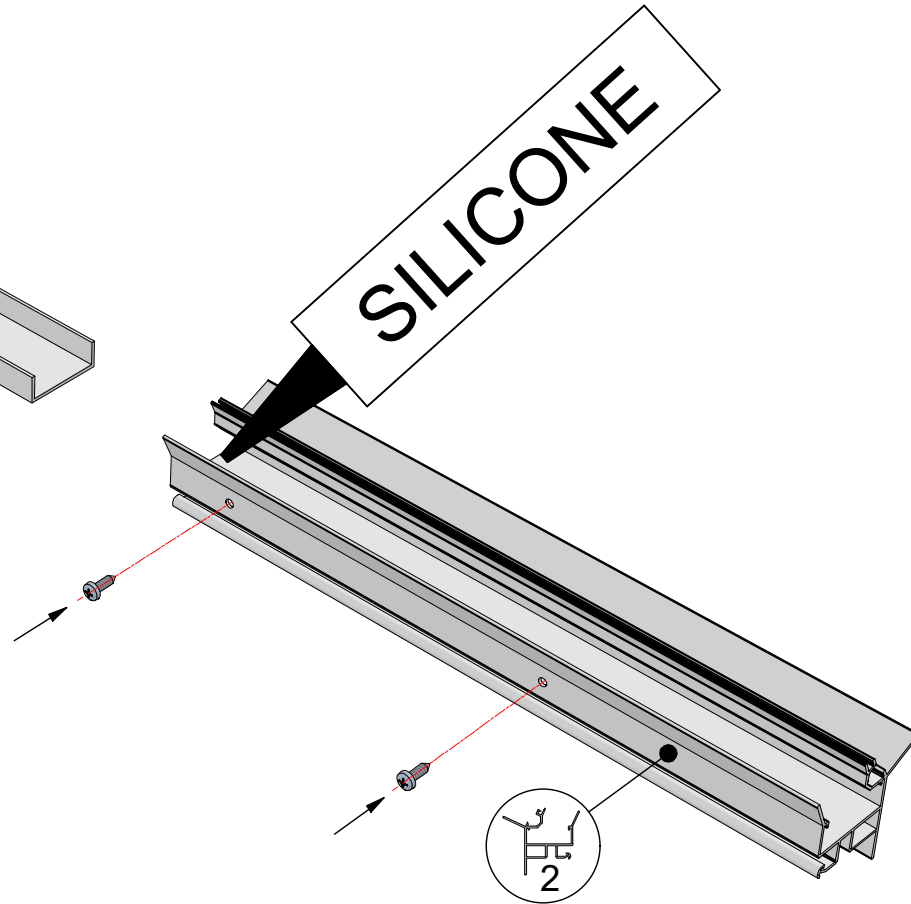
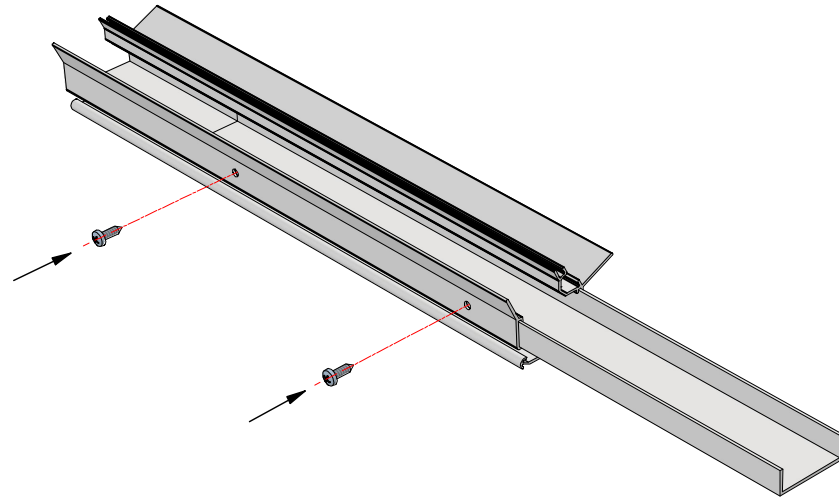
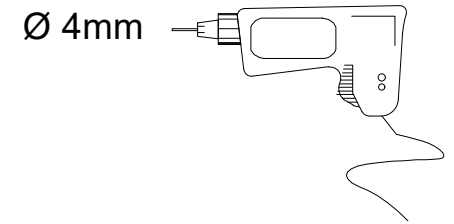
 = M6x12 (8x)




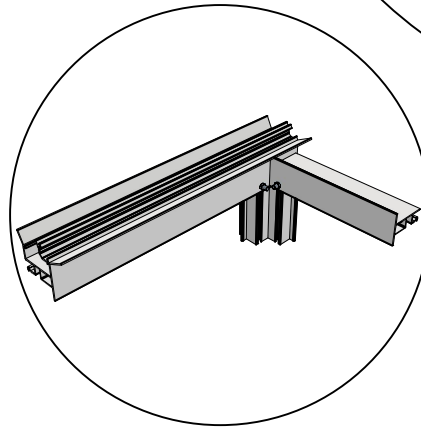
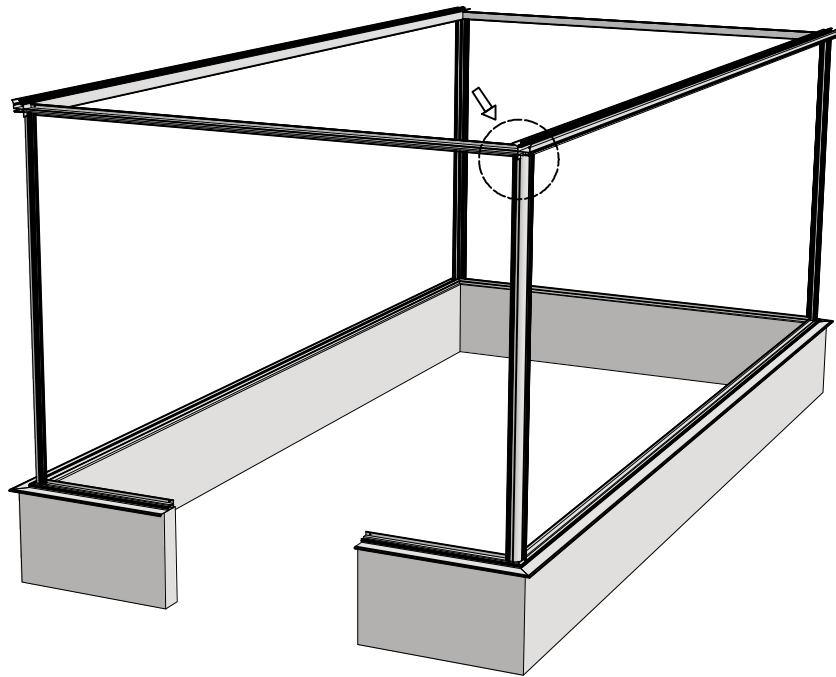
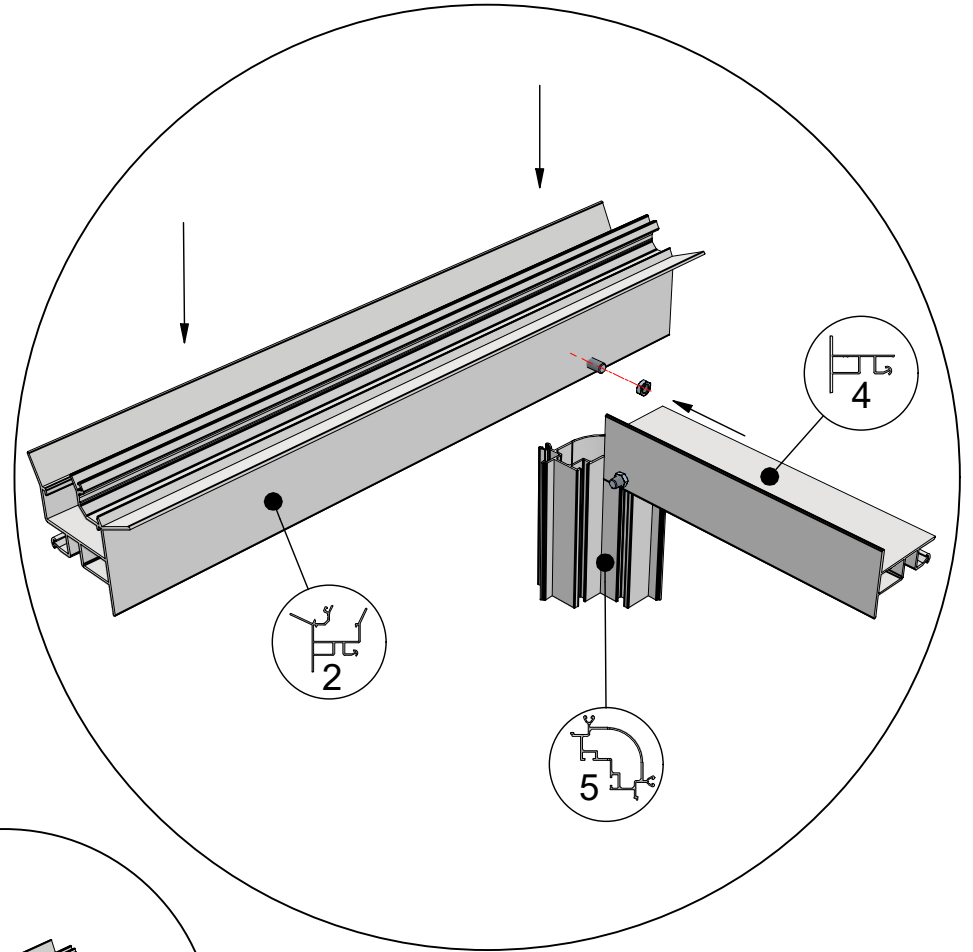
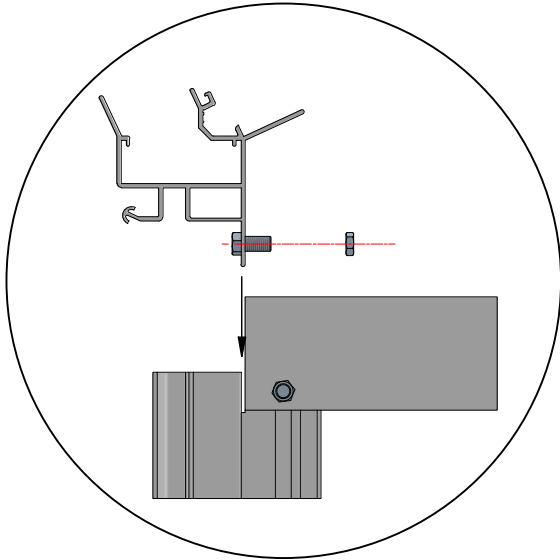
 = M6x12 (4x)




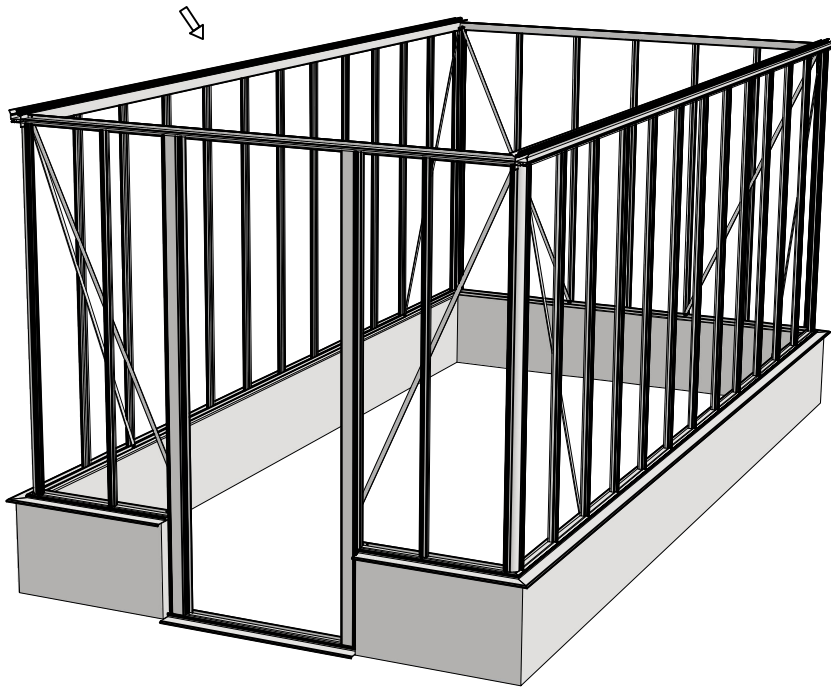
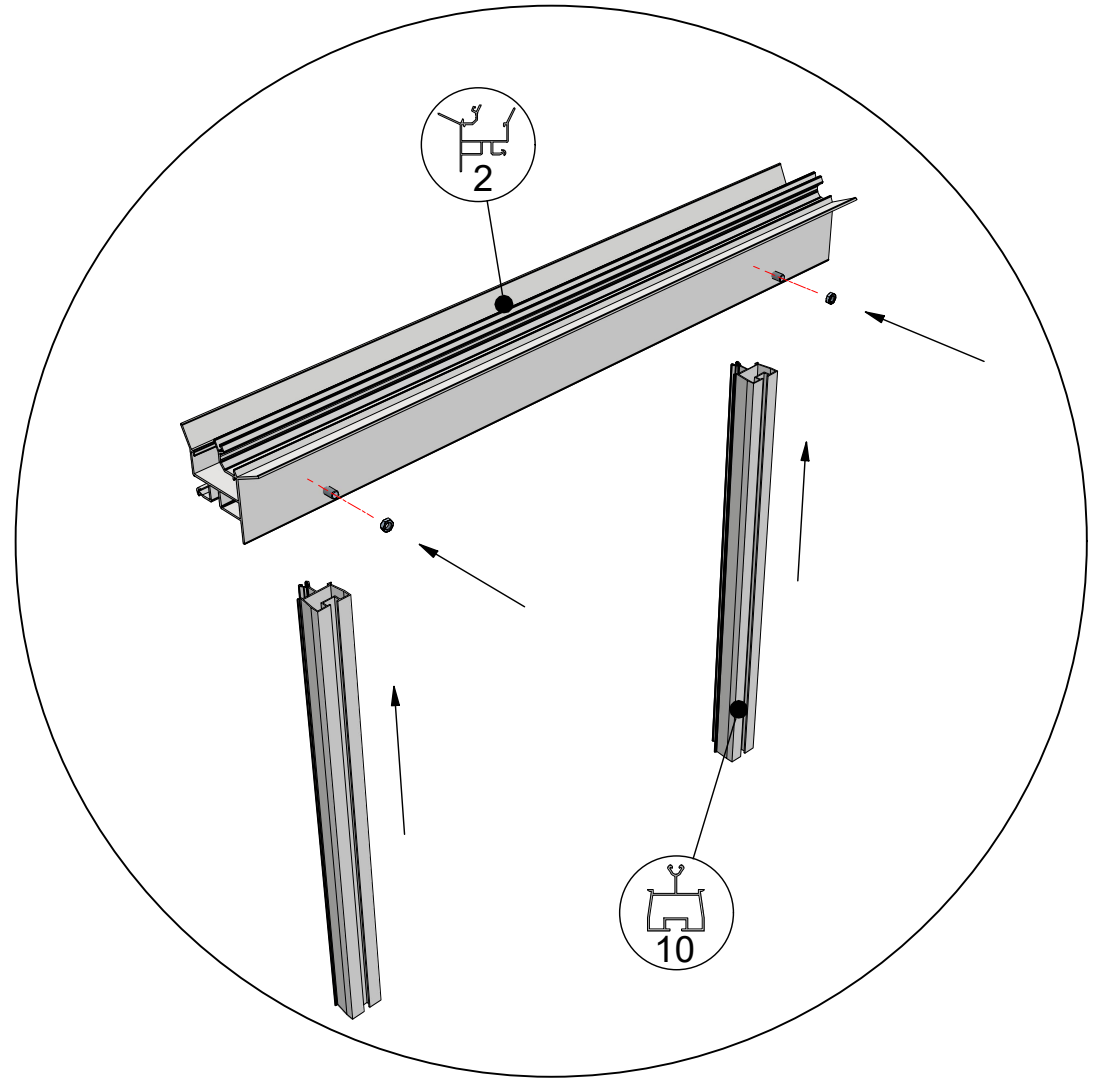
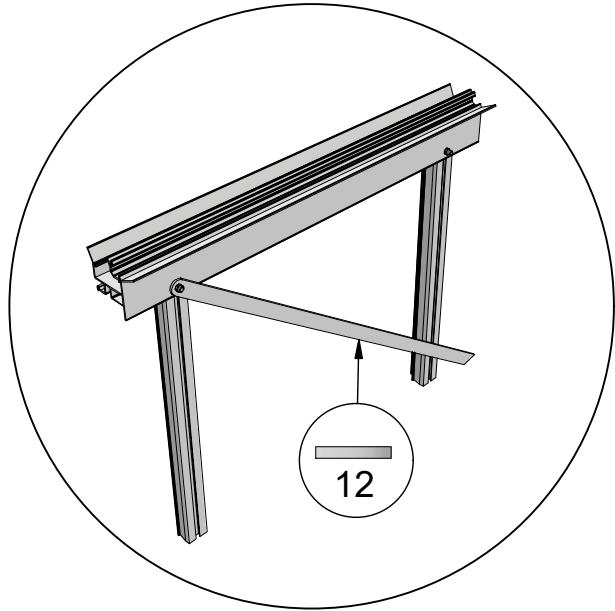
Gothic > 6,04 + 6,77 + 7,53 + 8,30



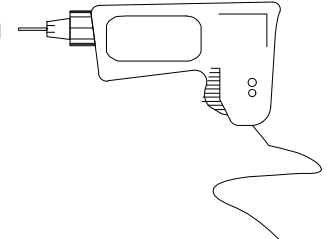
 = M6x12 (4x)

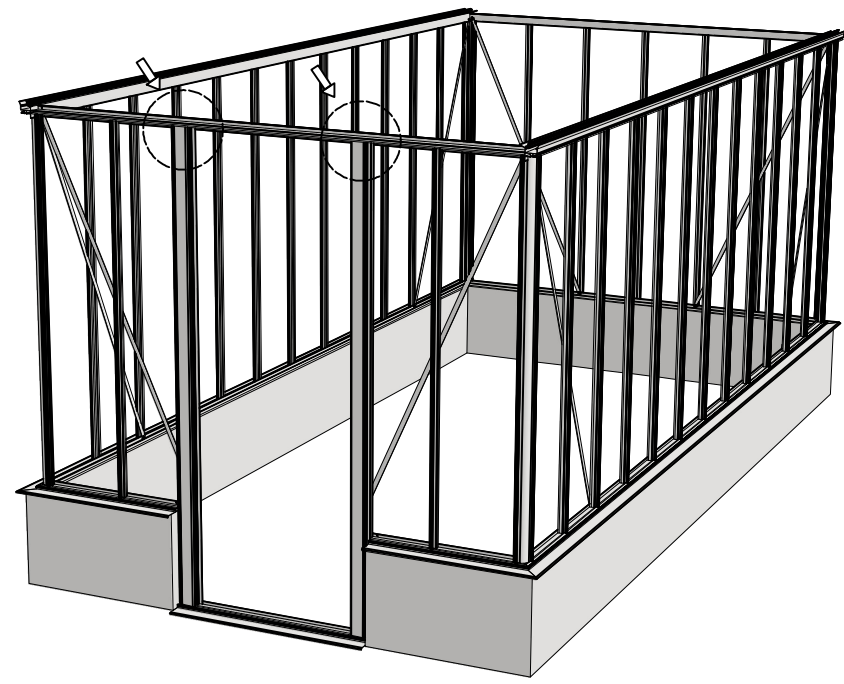
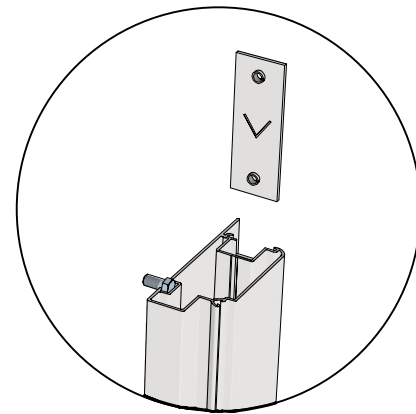
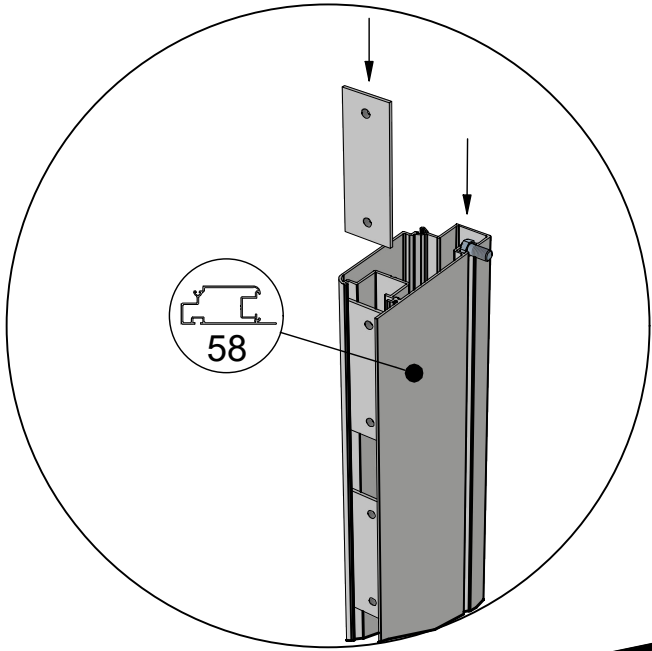



 = M6x12

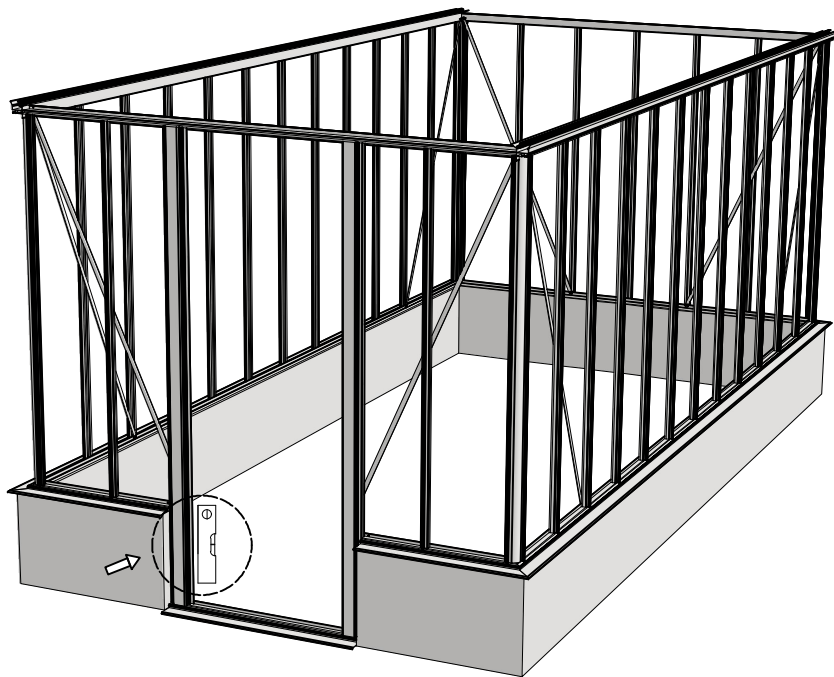
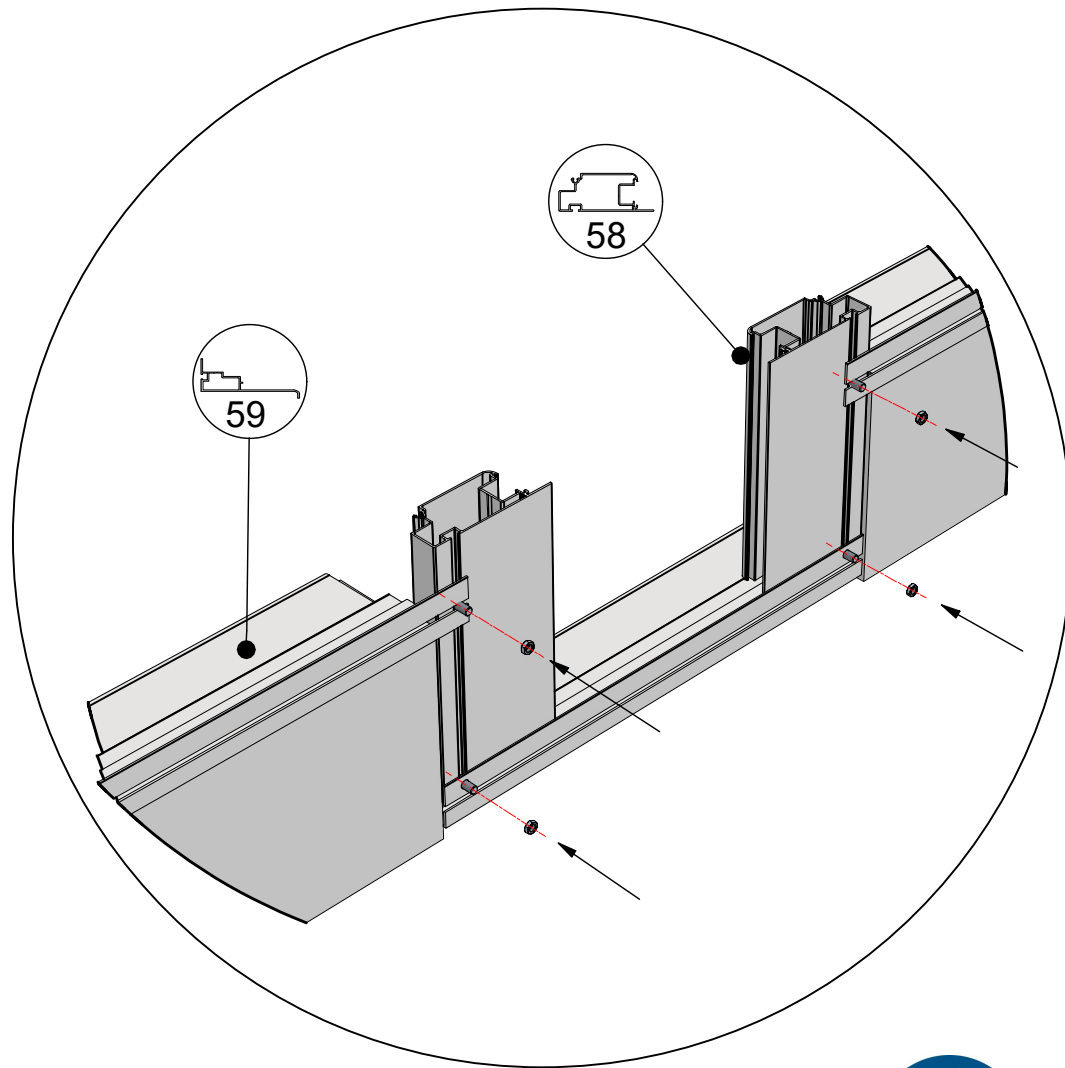
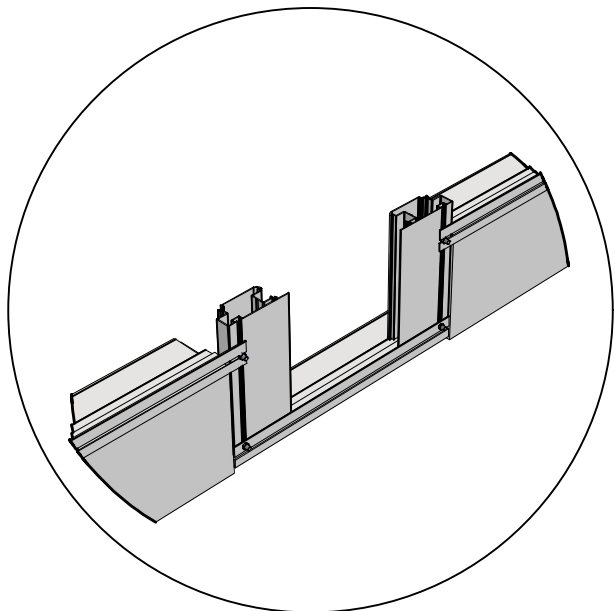



 = 4,2x25

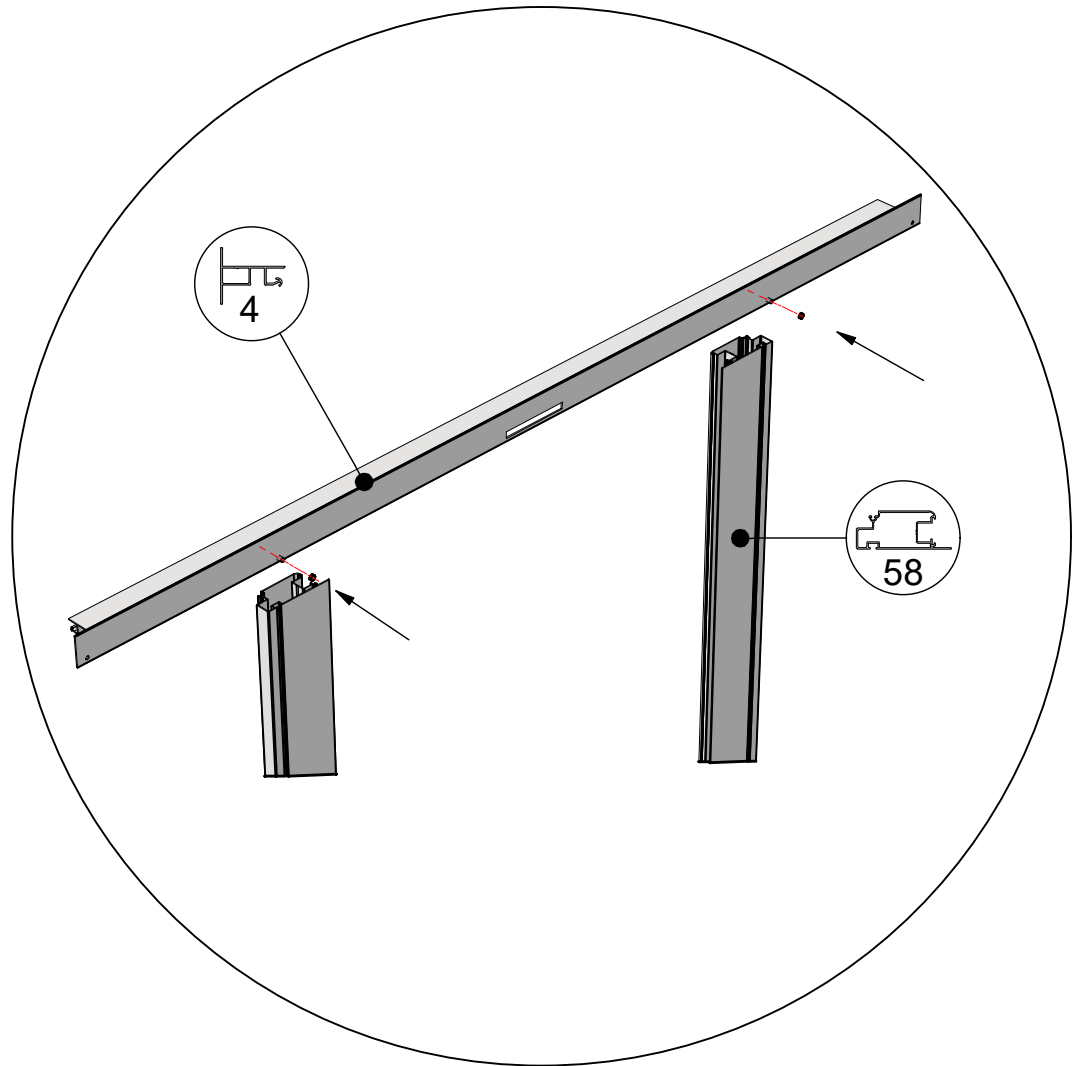
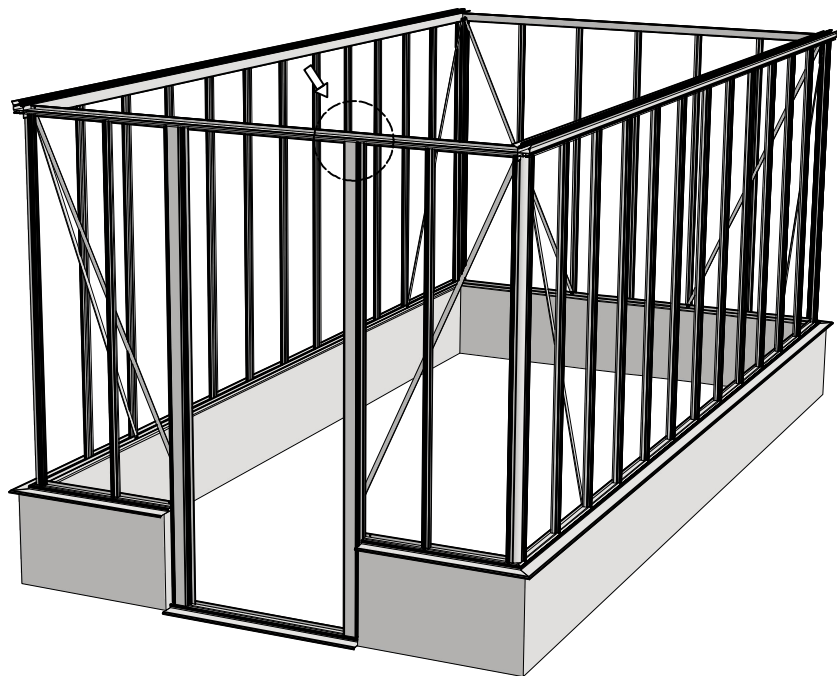
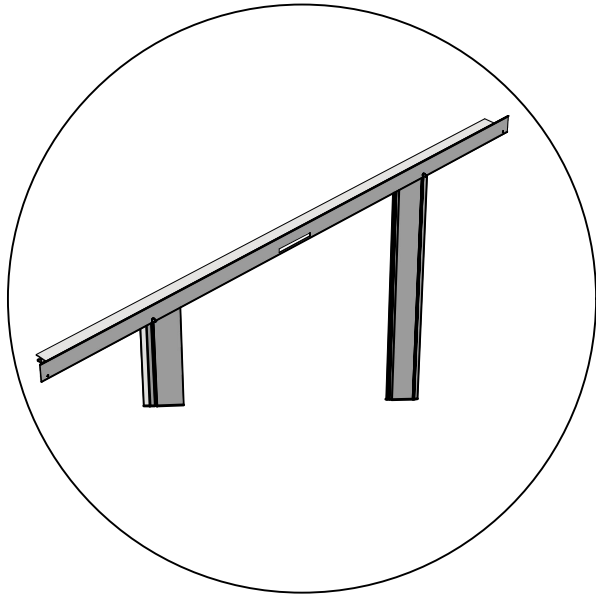
Ø = 4mm 




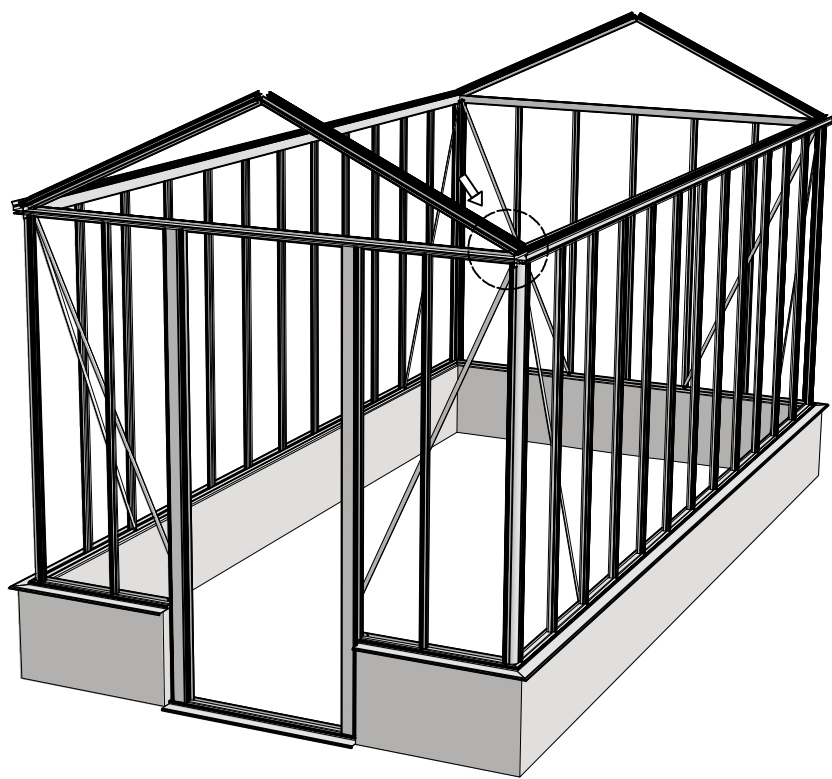
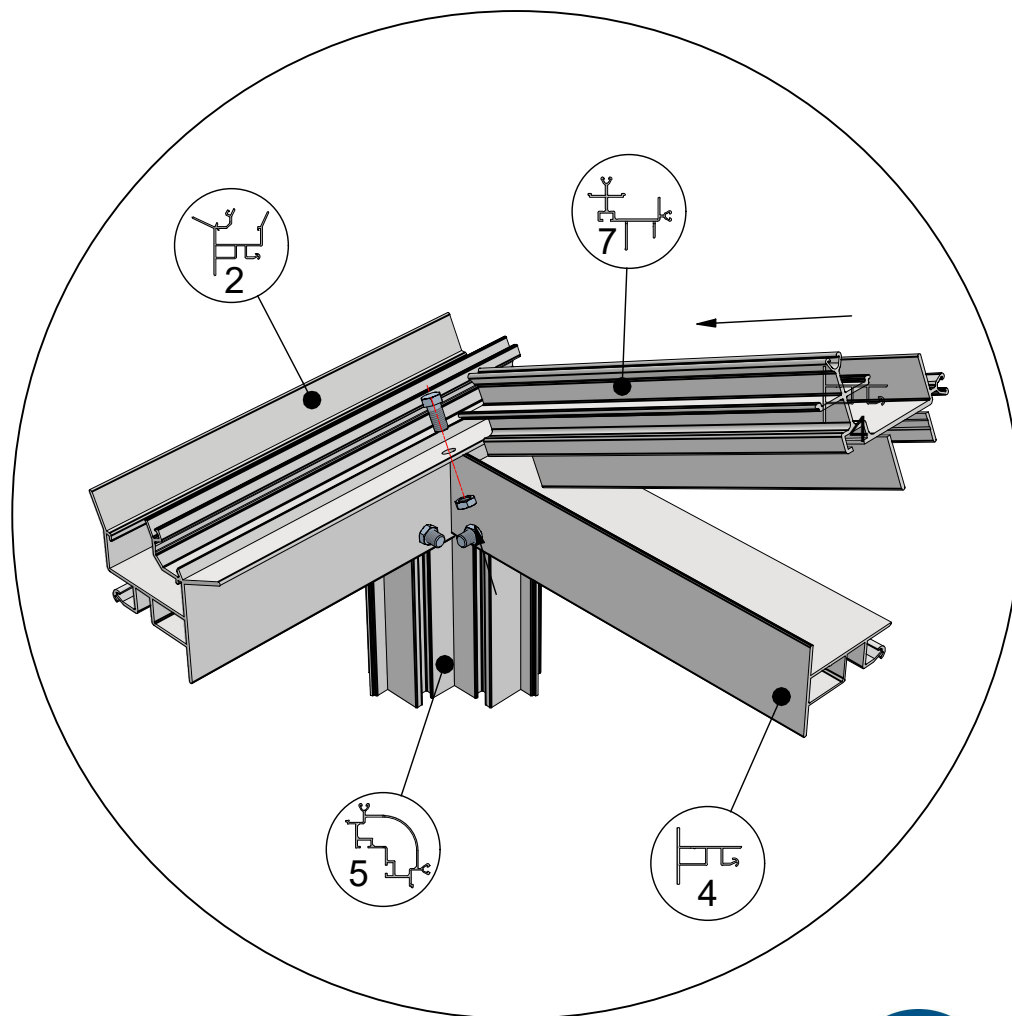
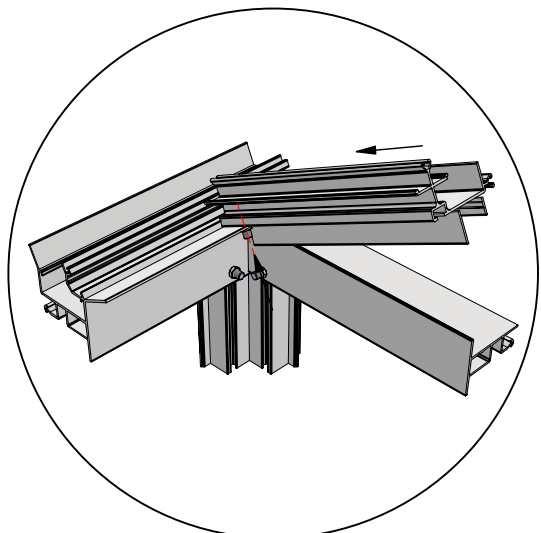
 = M6x12



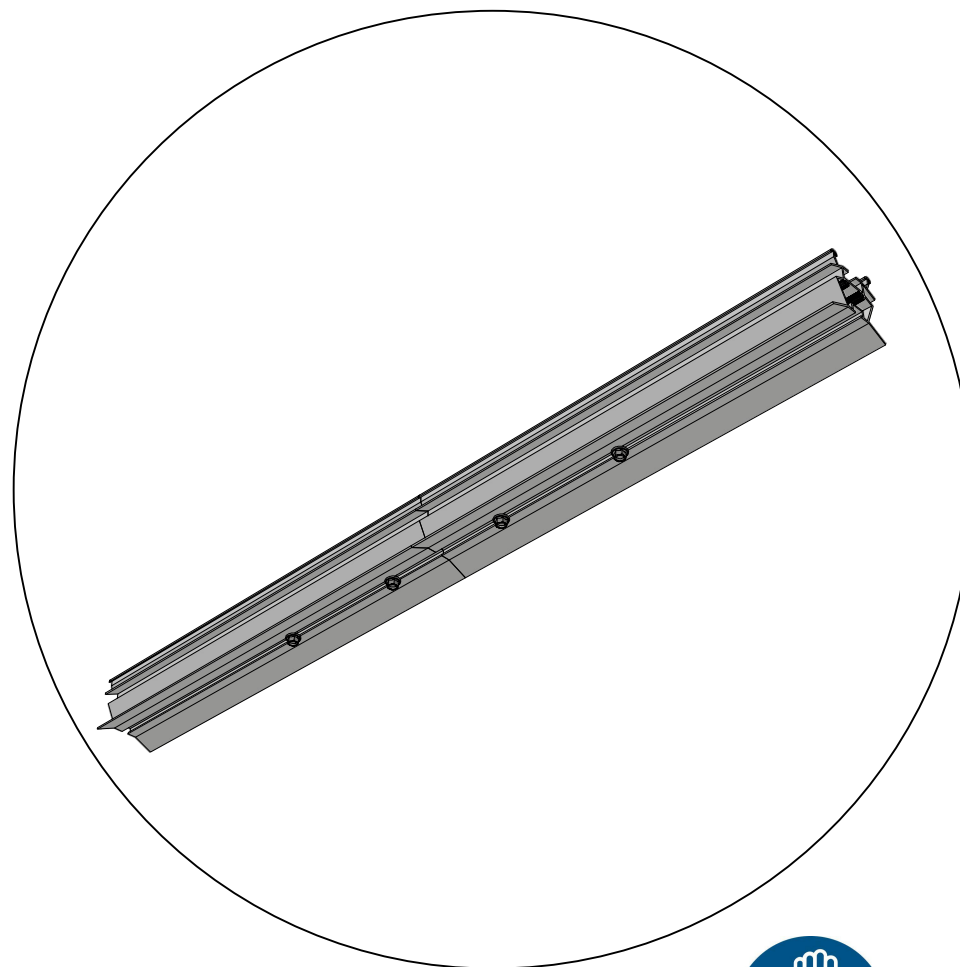
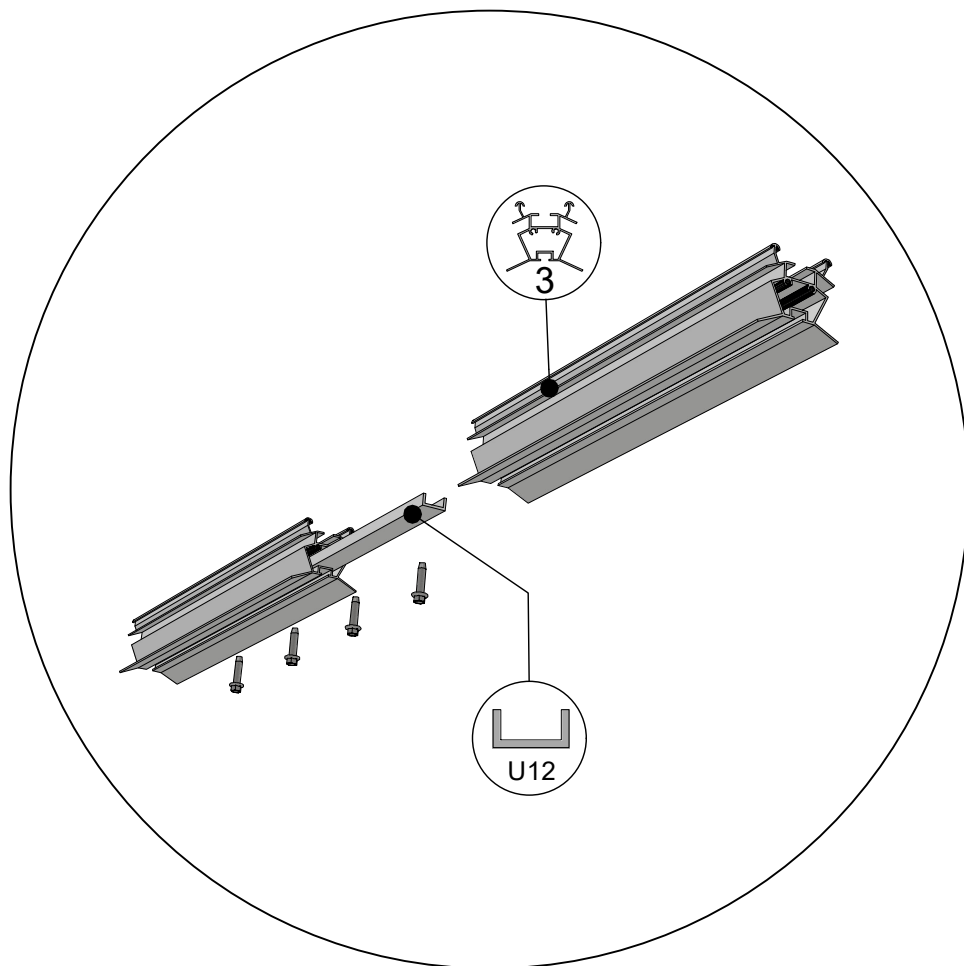
 = M6x12

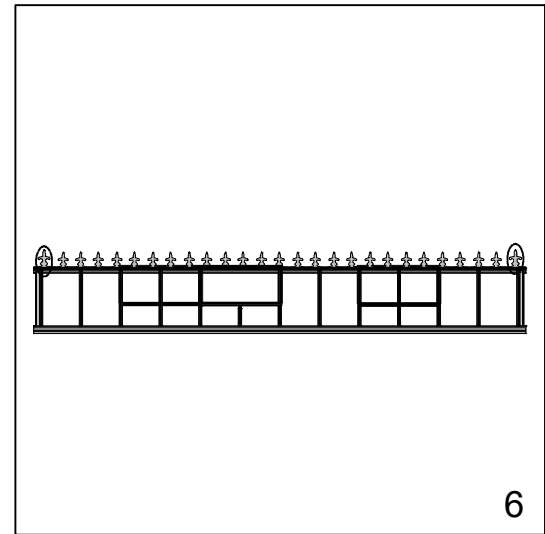
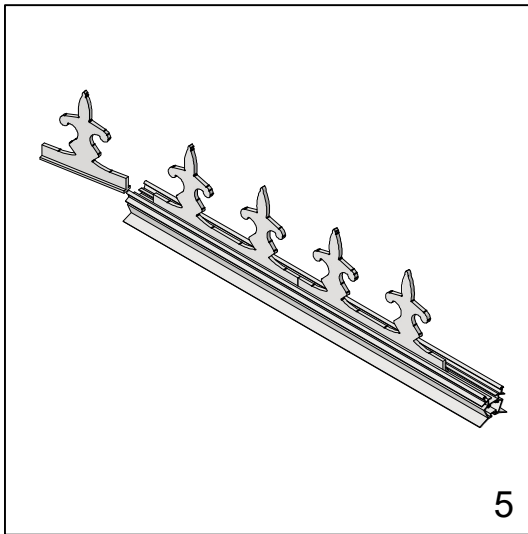
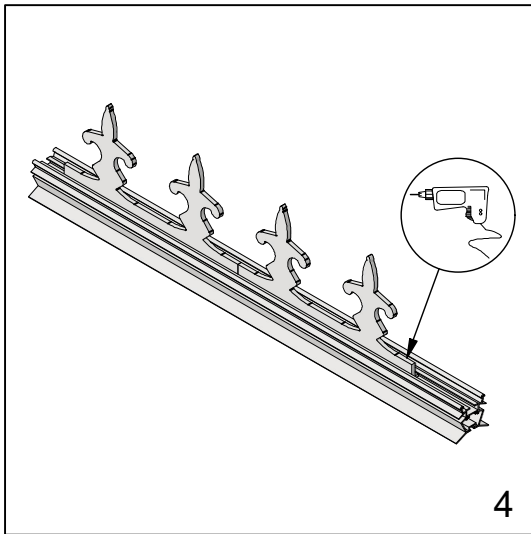
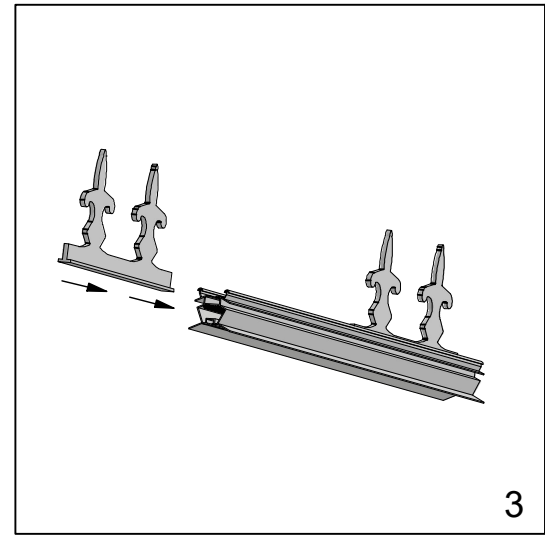
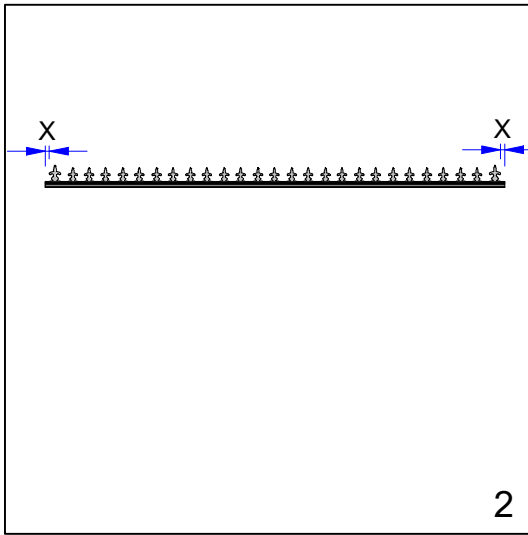
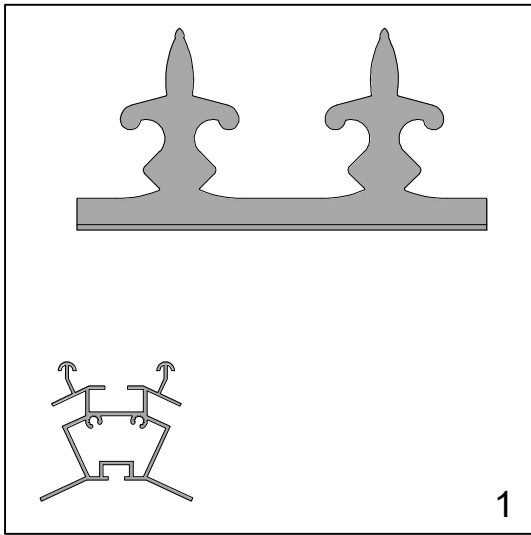


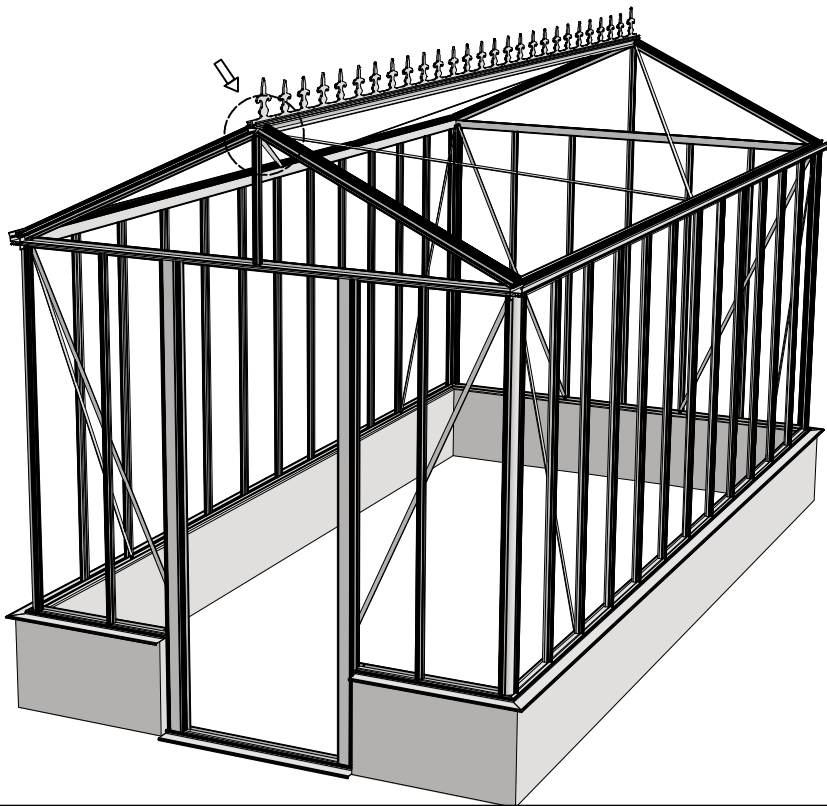
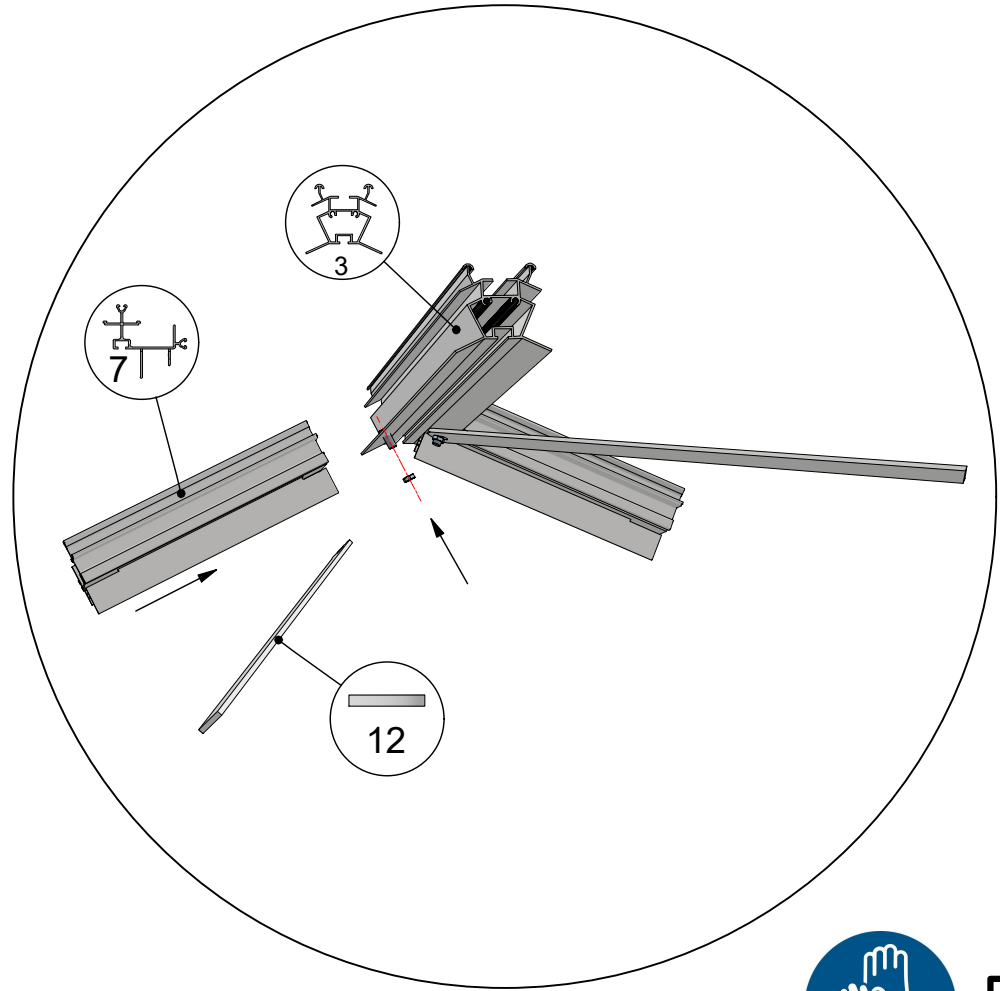
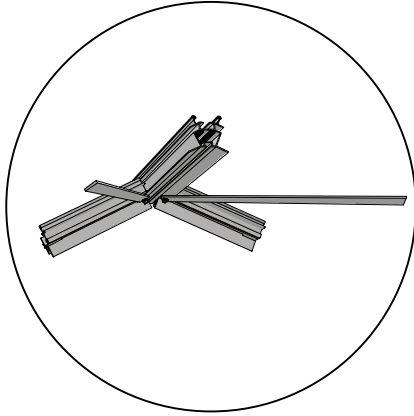
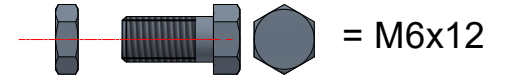
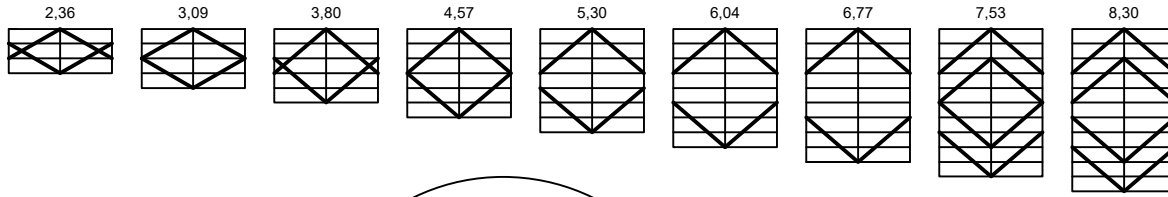
 = M6x12




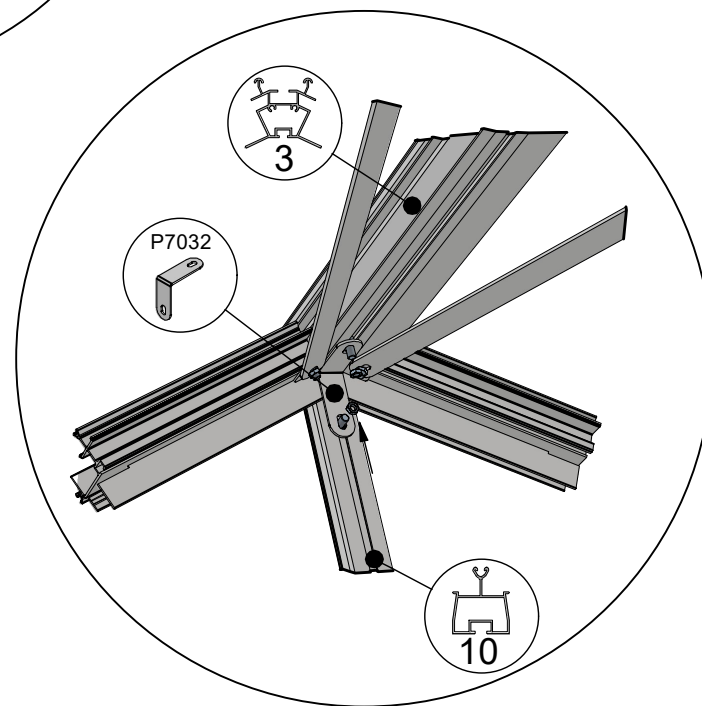
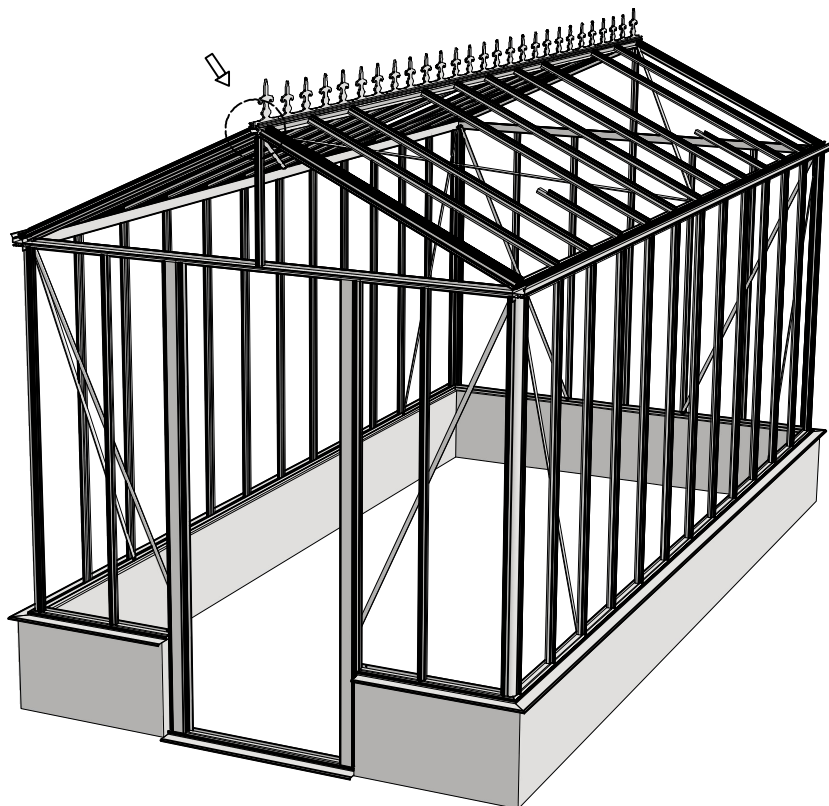
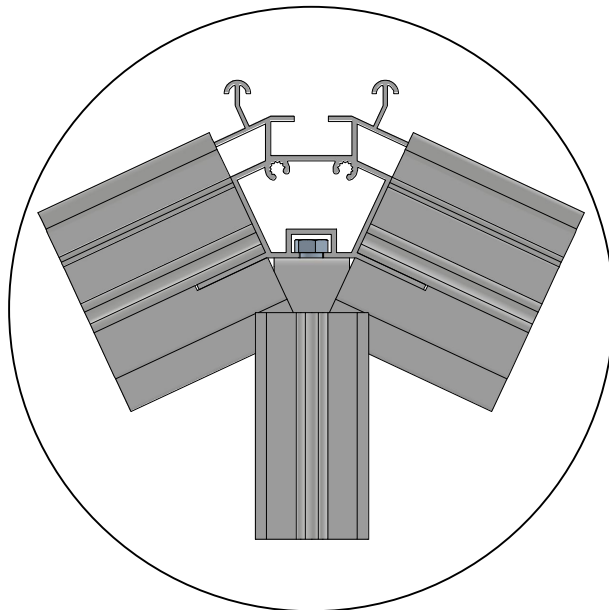
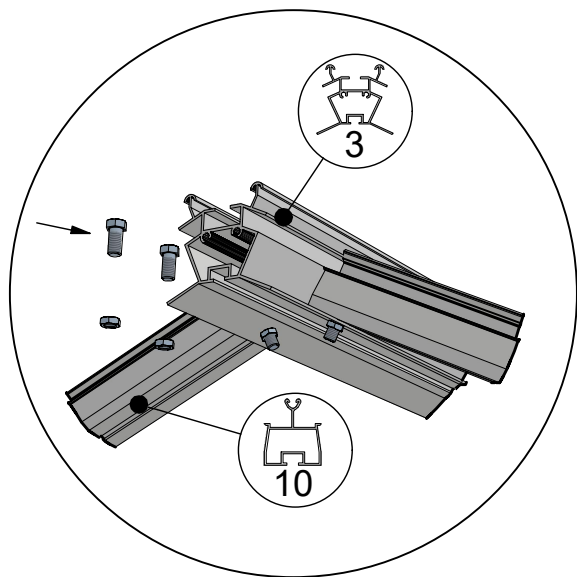
Gothic > 6,04 + 6,77 + 7,53 + 8,30




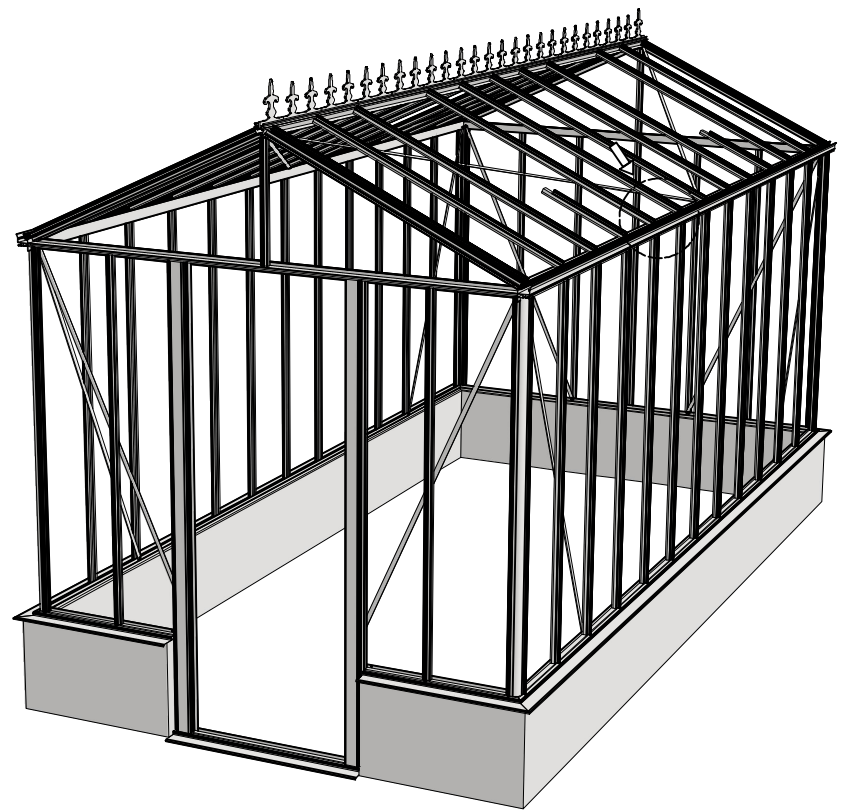
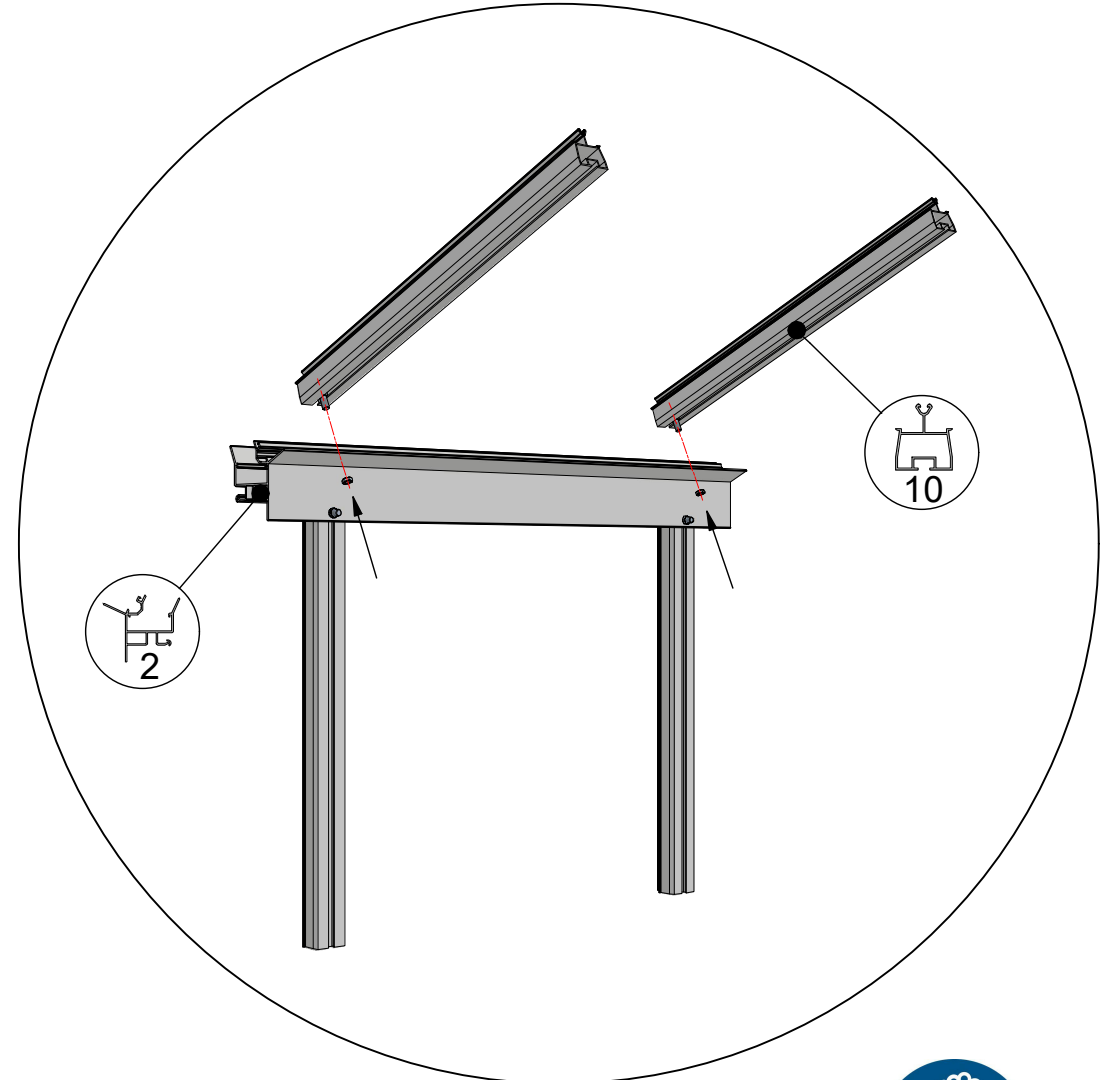
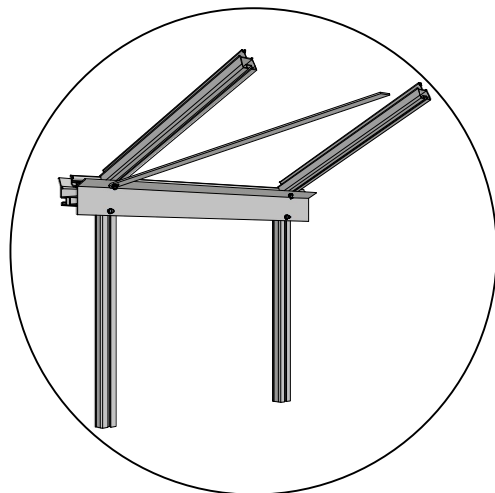





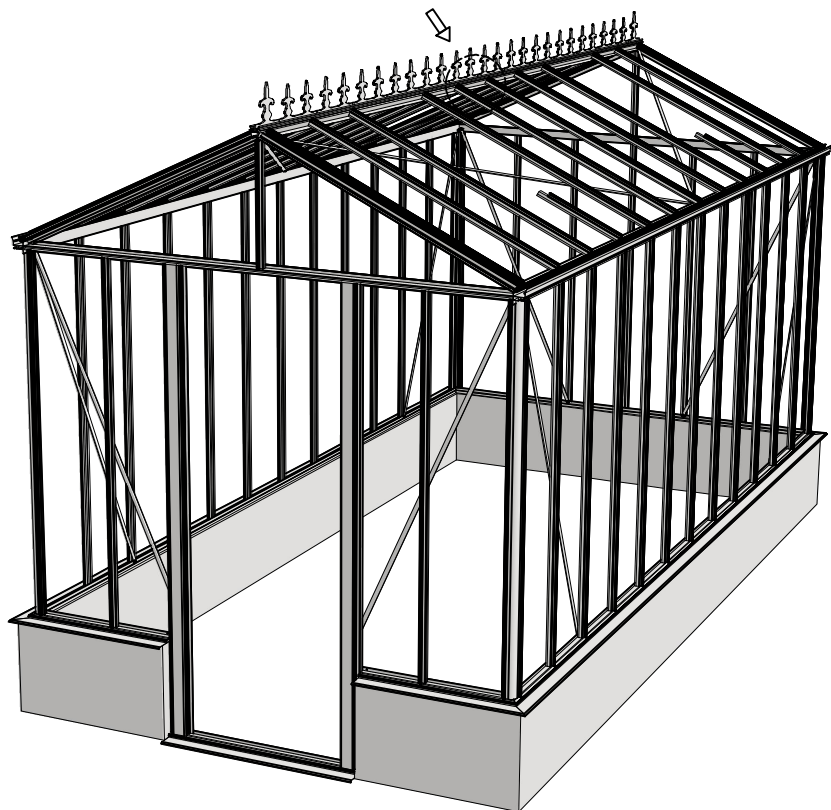
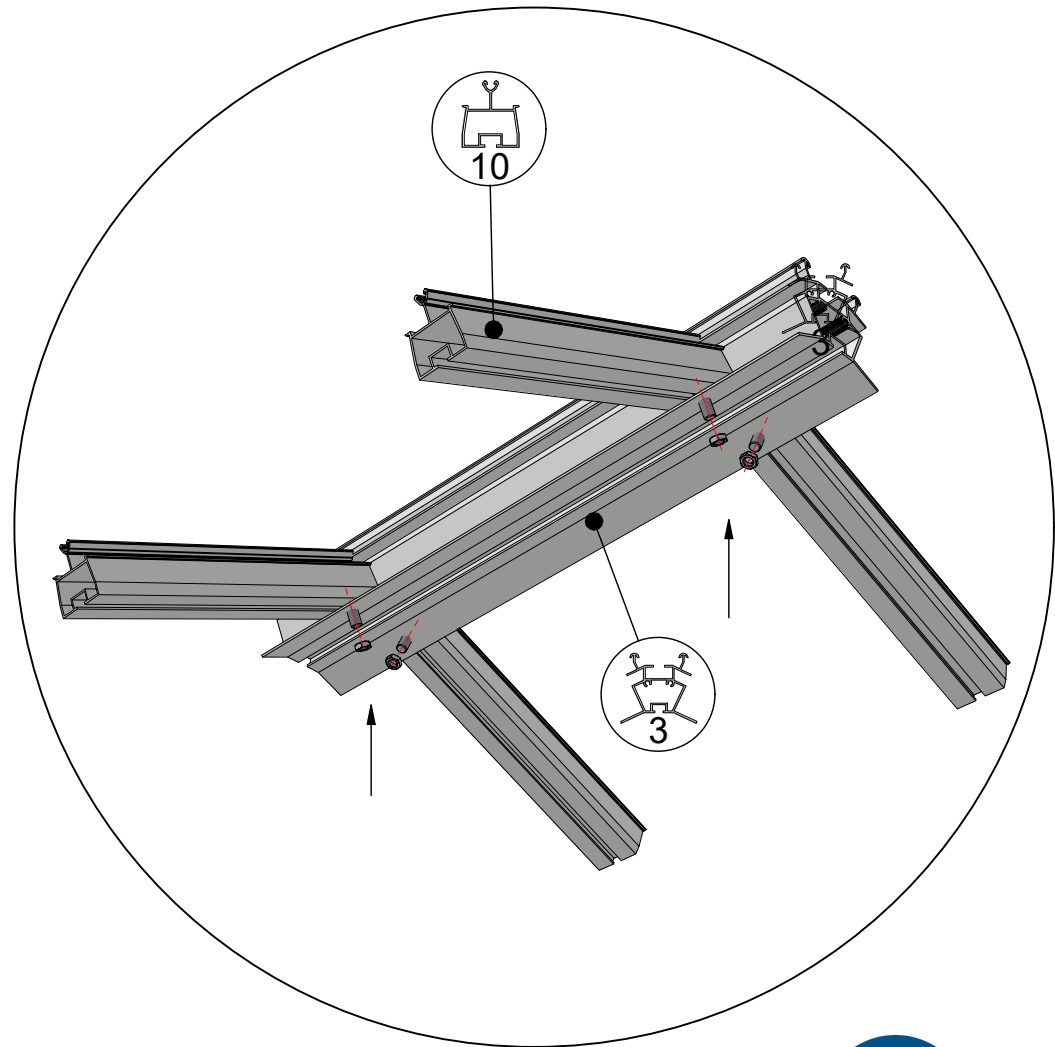
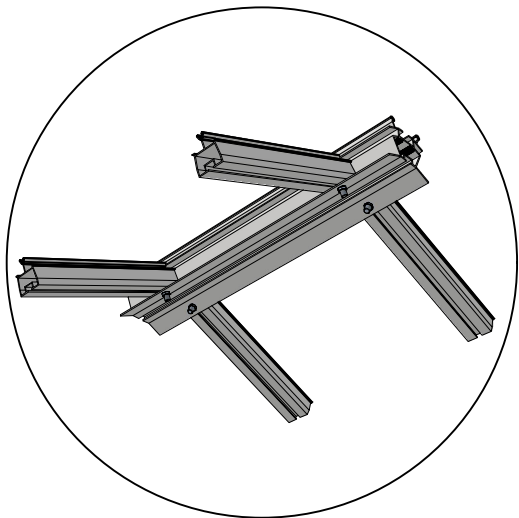
 = M6x12




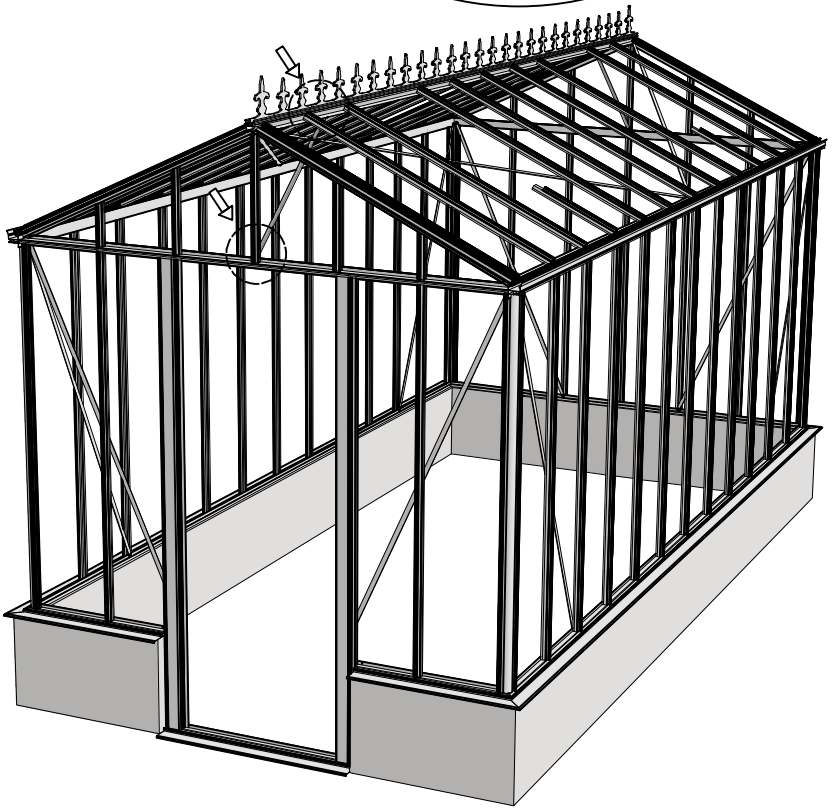
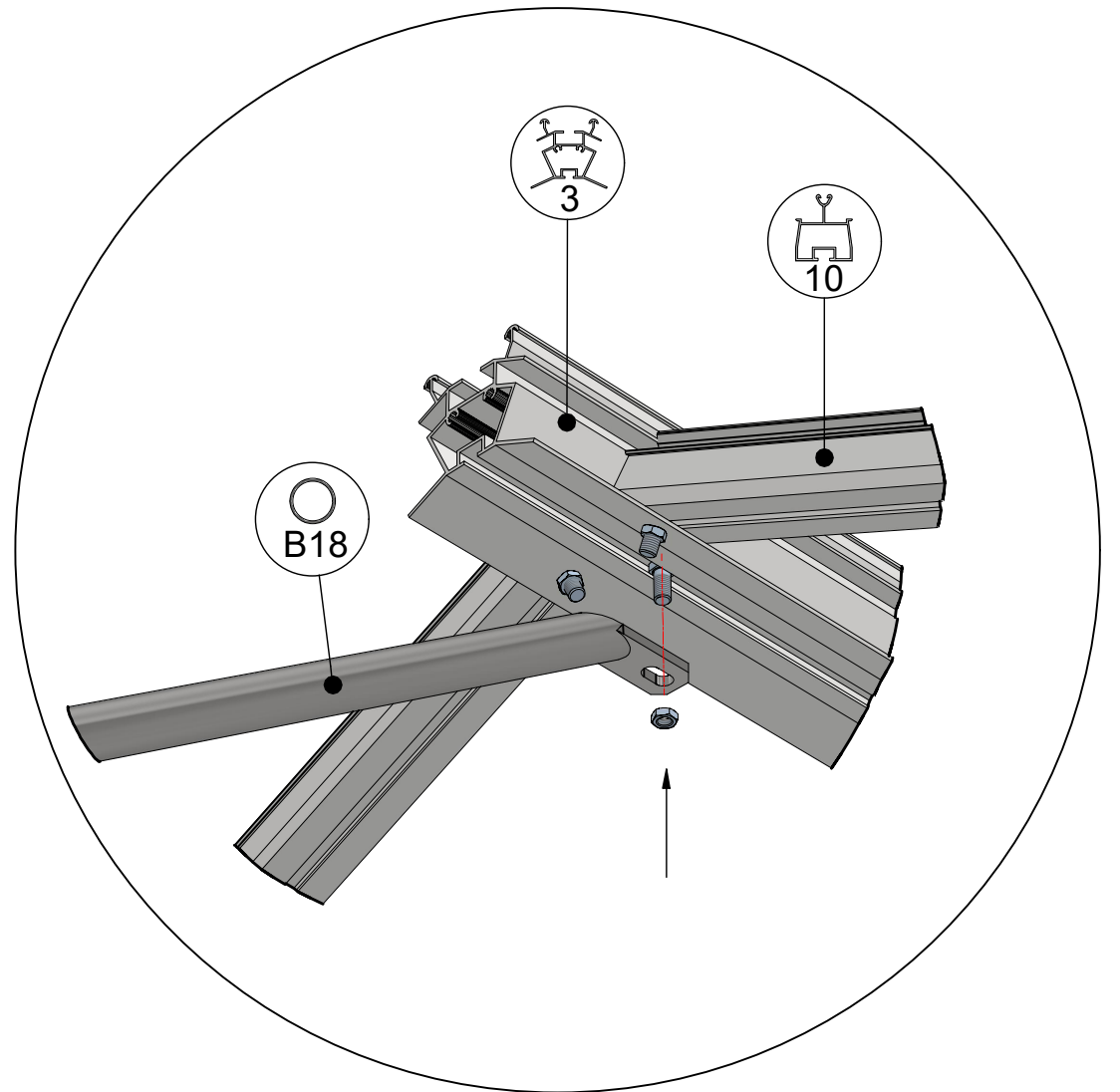
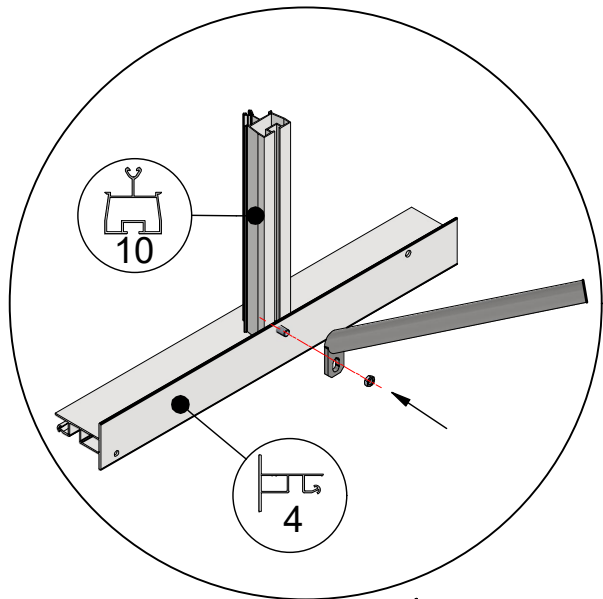
 = M6x12

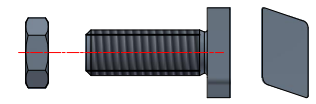


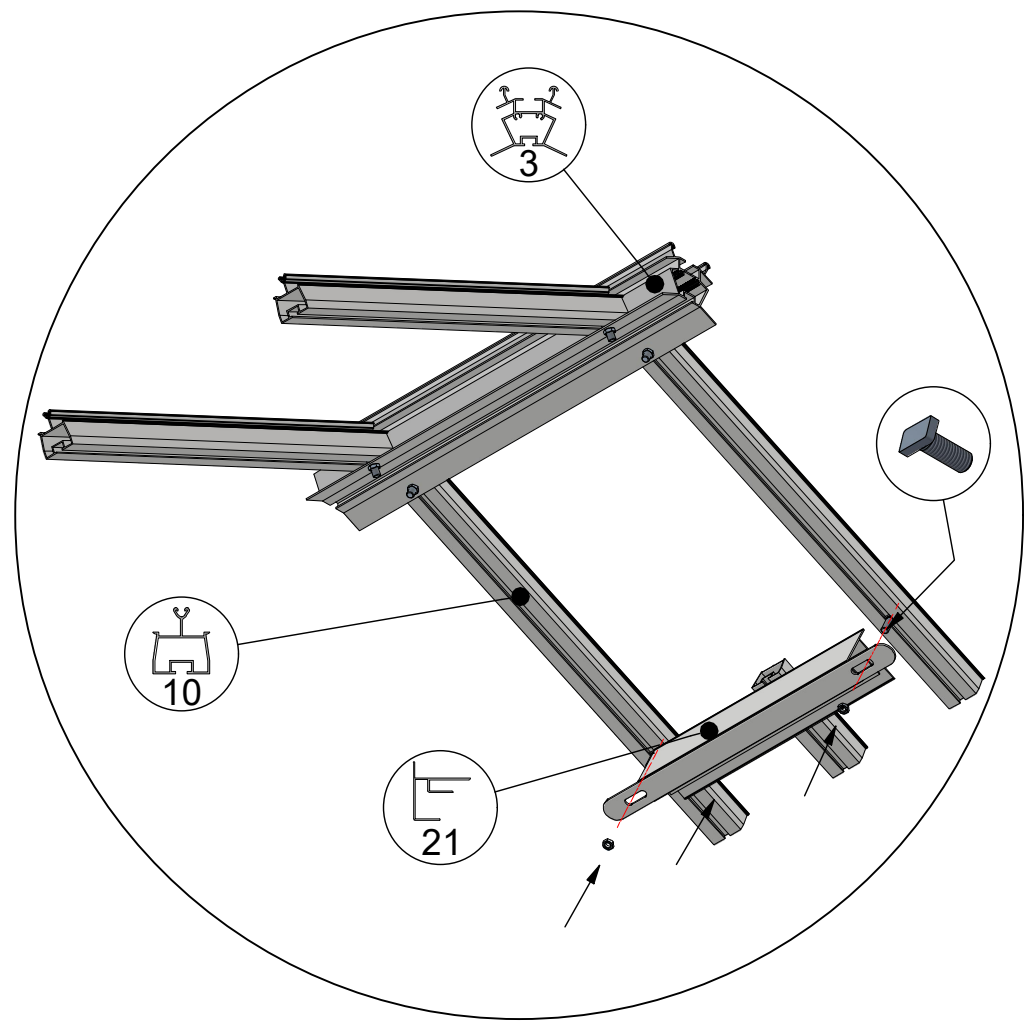
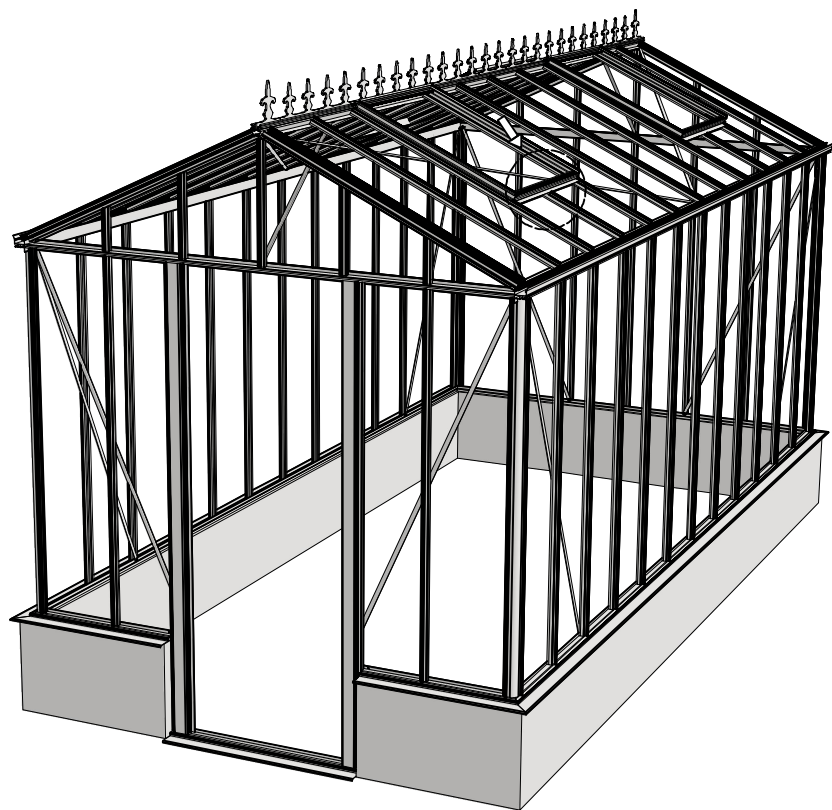
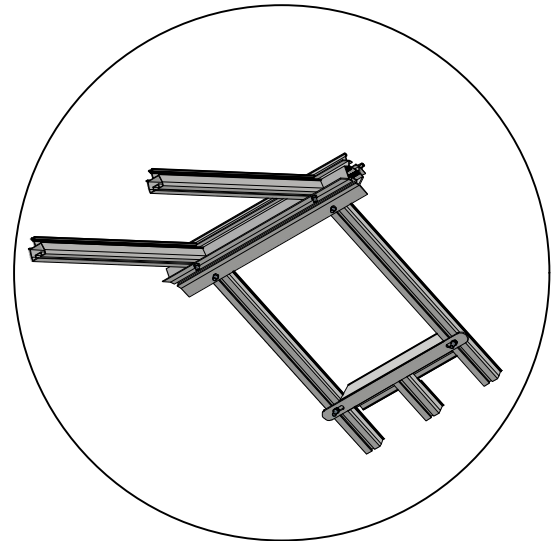
 = M6x12



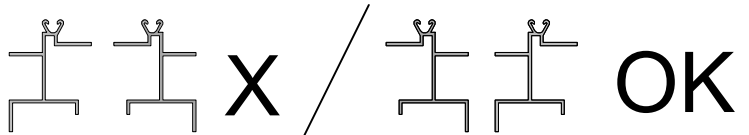
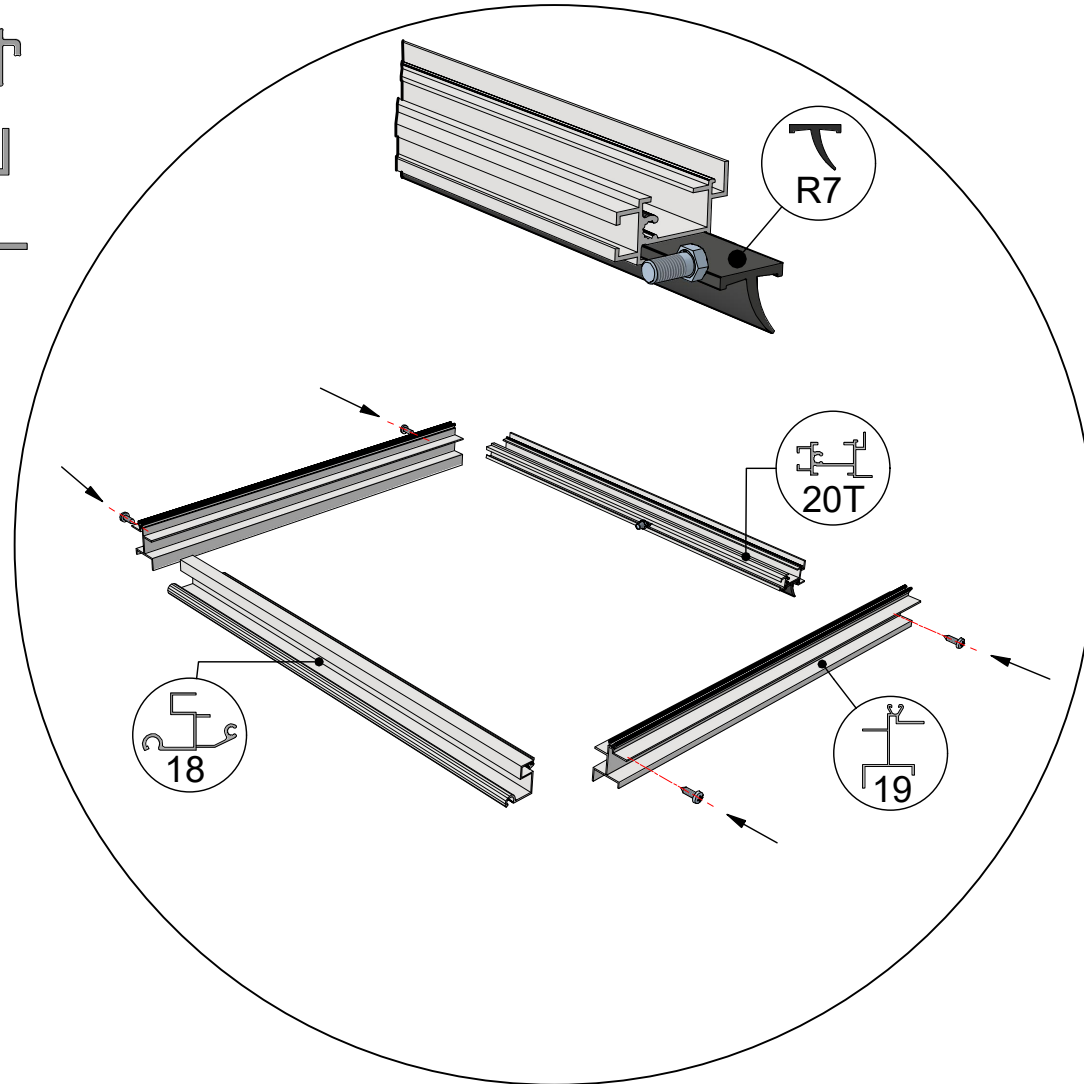
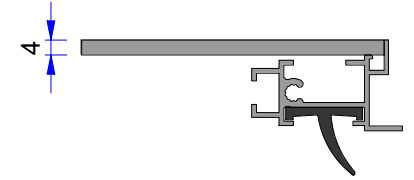
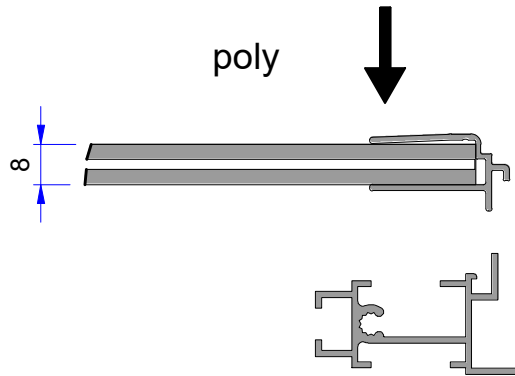
 = M6x12

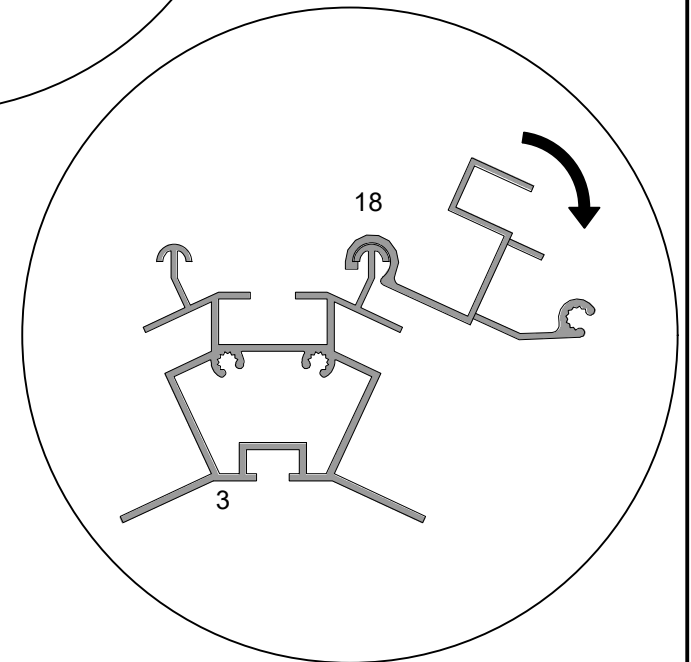
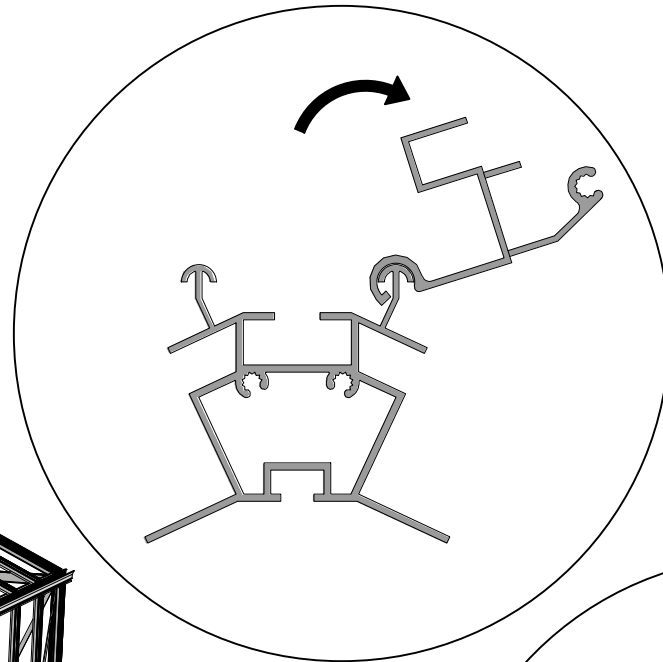
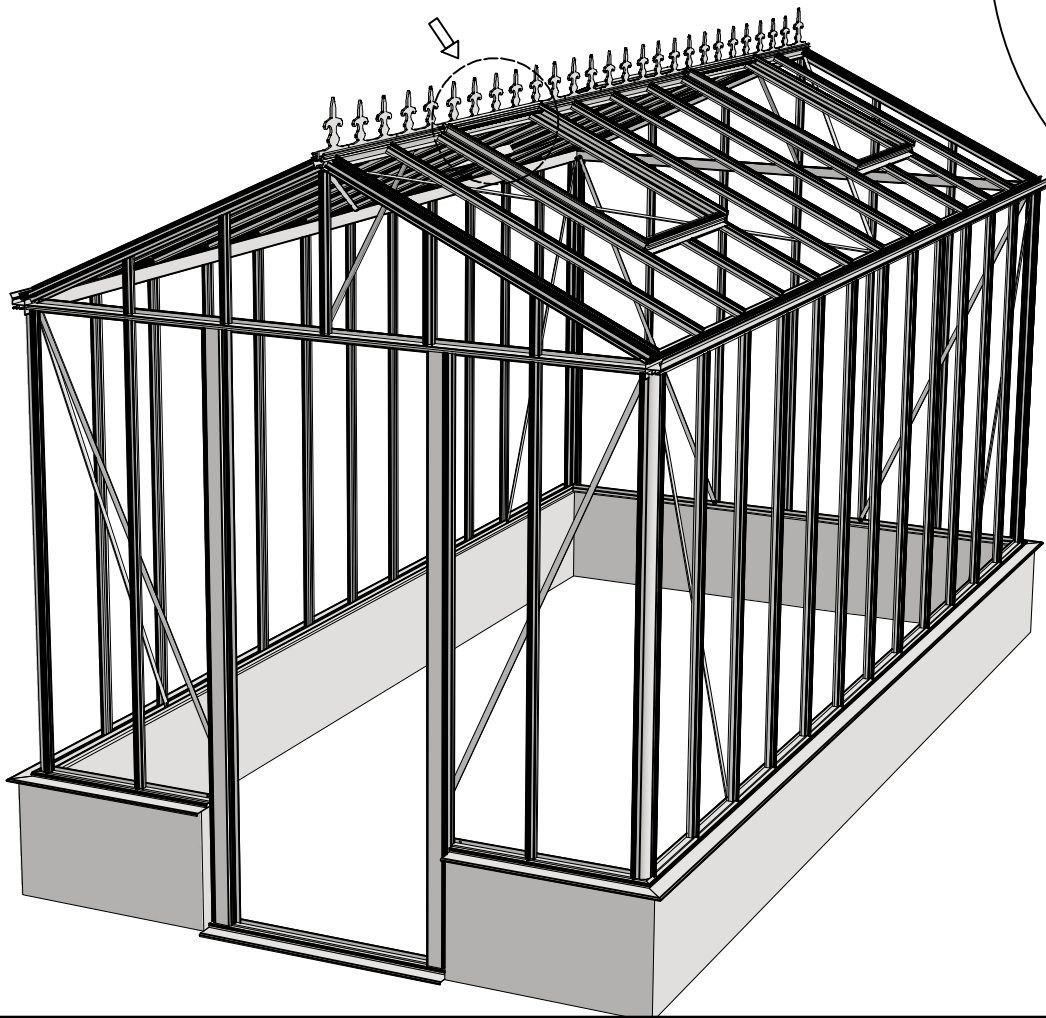


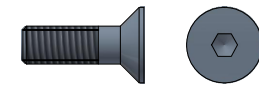
 = M6x16

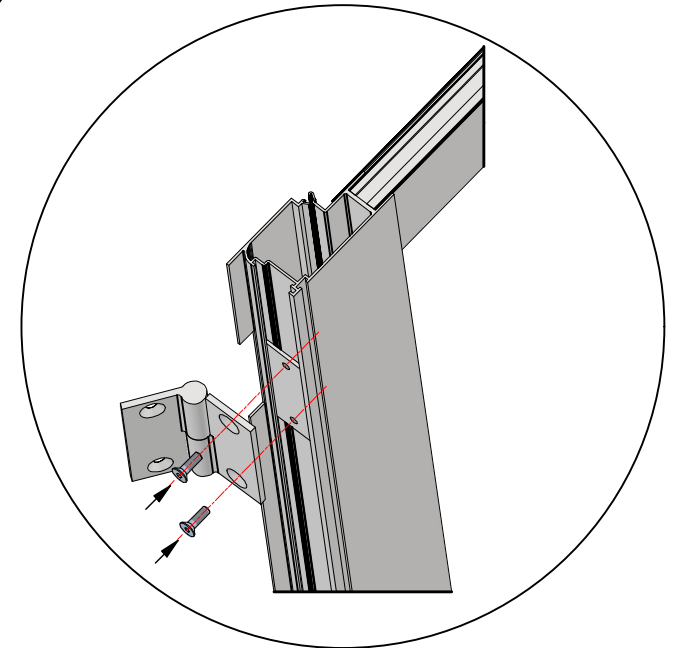
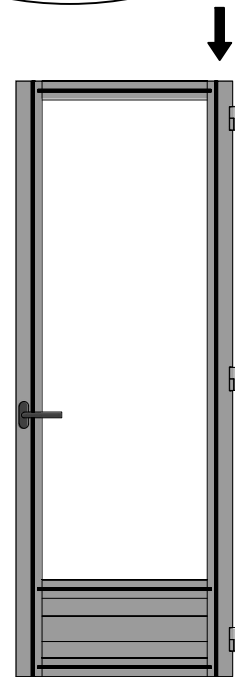
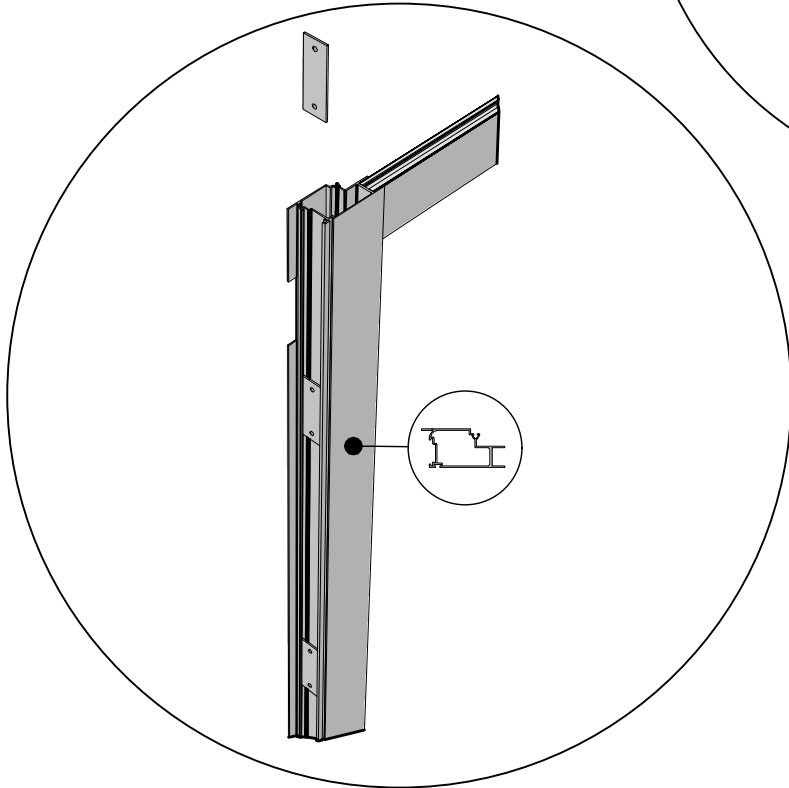
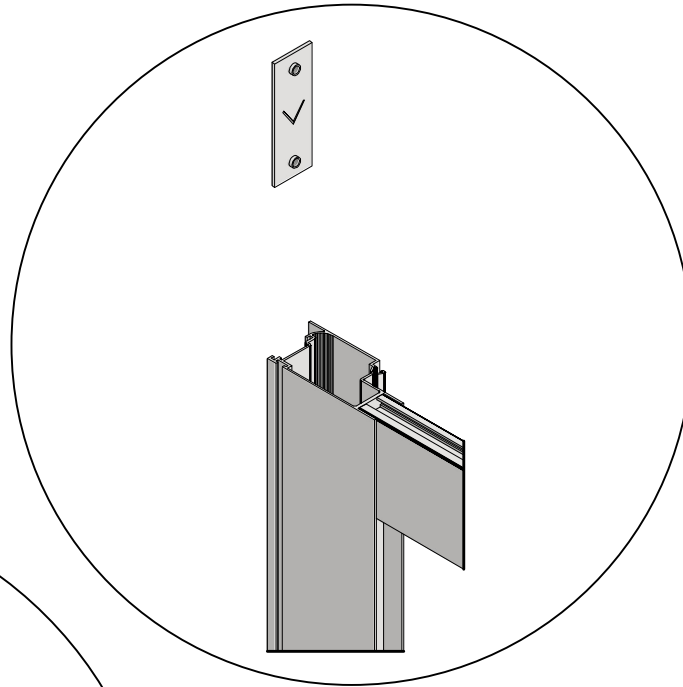


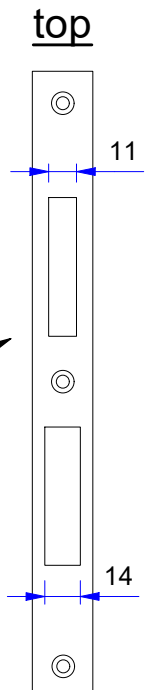
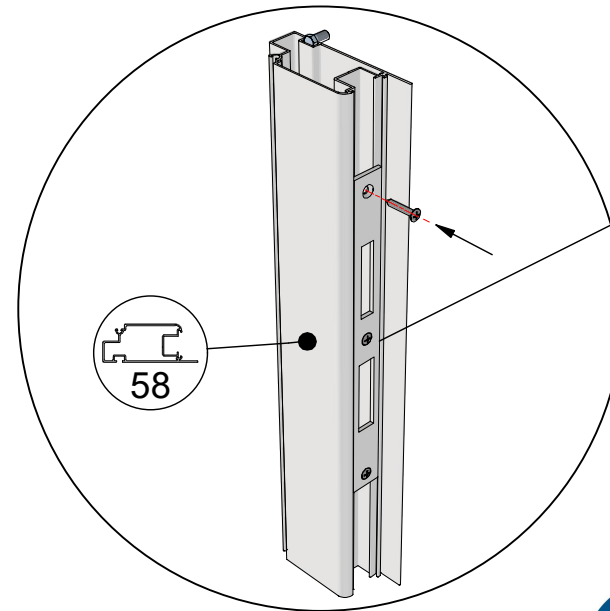
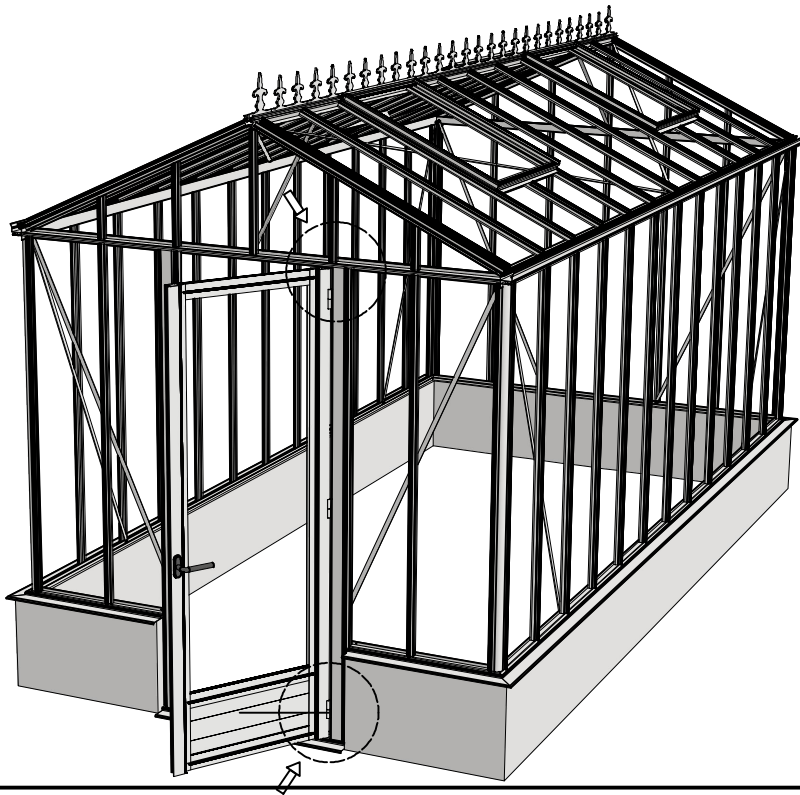
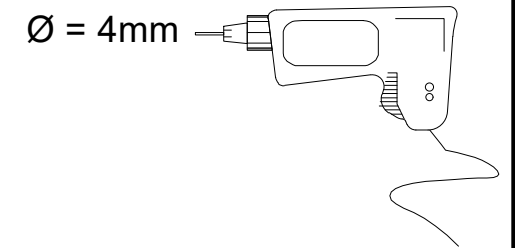
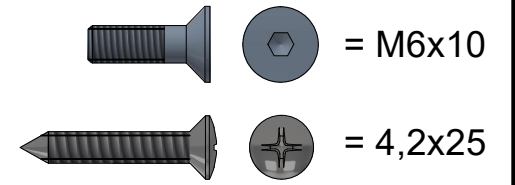
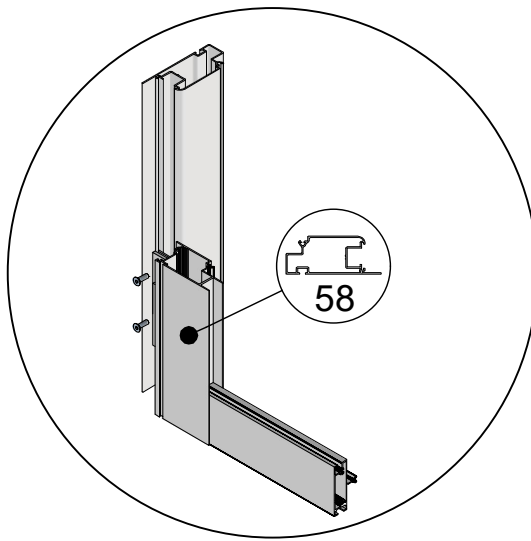
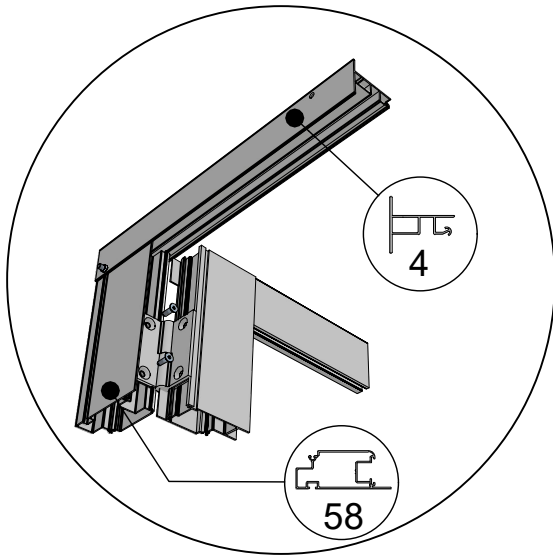
 = 4,8x16





 = M6x10





Glass Dimensions Nv Euro-serre

Gothic 2,36m

GlassH: 1250 WallH. : 830

Glass Size 360mm	Sides		Single	Double	Roof	Size Lenght x Wide			m ²	m ²
	1250 x 360	1250 x 290	1175 x 620	1175 x 550	1250 x 360	825 x 730	420 x 360			
Gothic 2,36m x 3,09m	24	2	1		8	4	8	12,3	7,2	
Gothic 2,36m x 3,80m	28	2	1		12	4	8	14,1	9,0	
Gothic 2,36m x 4,57m	32	2	1		12	6	12	15,9	10,8	
Gothic 2,36m x 5,30m	36	2	1		16	6	12	17,7	12,6	
Gothic 2,36m x 6,04m	40	2	1		20	6	12	19,5	14,4	
Gothic 2,36m x 6,77m	44	2	1		20	8	16	21,3	16,2	
Gothic 2,36m x 7,53m	48	2	1		24	8	16	23,1	18,0	
Gothic 2,36m x 8,30m	52	2	1		28	8	16	24,9	19,8	
Gothic 2,36m x 9,02m	56	2	1		32	8	16	26,7	21,6	

Points

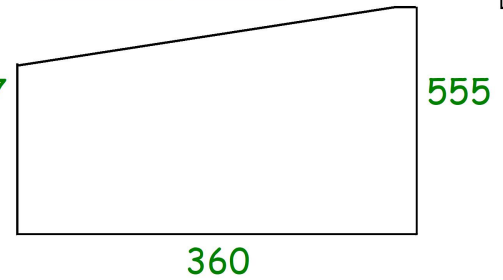
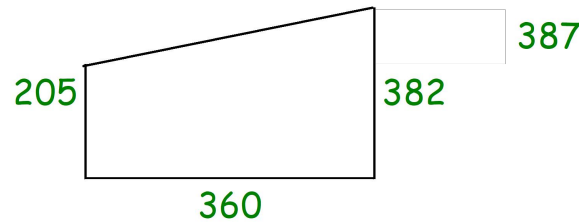
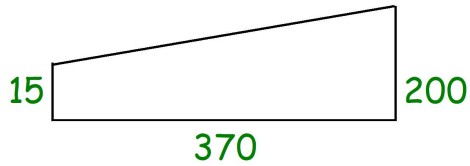
$2 \times L + 2 \times R$

$2 \times L + 2 \times R$

11

1,65 m²

$2 \times L + 2 \times R$



Glass Dimensions Nv Euro-serre

Gothic 2,36m

GlassH: 1450 WallH. : 630

Glass Size 360mm	Sides		Single	Double	Roof	Size Lenght x Wide			m ²	m ²
	1450 x 360	1450 x 290	1350 x 620	1350 x 550	1250 x 360	825 x 730	420 x 360			
Gothic 2,36m x 3,09m	24	2	1		8	4	8	14,2	7,2	
Gothic 2,36m x 3,80m	28	2	1		12	4	8	16,3	9,0	
Gothic 2,36m x 4,57m	32	2	1		12	6	12	18,4	10,8	
Gothic 2,36m x 5,30m	36	2	1		16	6	12	20,5	12,6	
Gothic 2,36m x 6,04m	40	2	1		20	6	12	22,6	14,4	
Gothic 2,36m x 6,77m	44	2	1		20	8	16	24,6	16,2	
Gothic 2,36m x 7,53m	48	2	1		24	8	16	26,7	18,0	
Gothic 2,36m x 8,30m	52	2	1		28	8	16	28,8	19,8	
Gothic 2,36m x 9,02m	56	2	1		32	8	16	30,9	21,6	

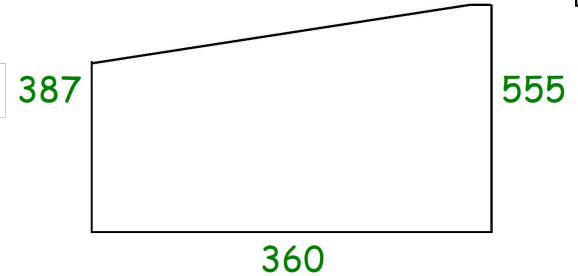
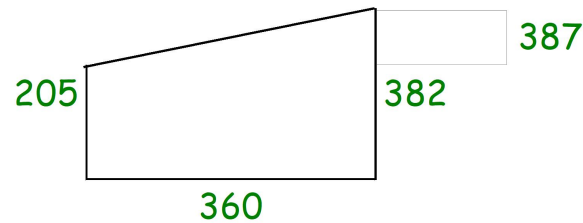
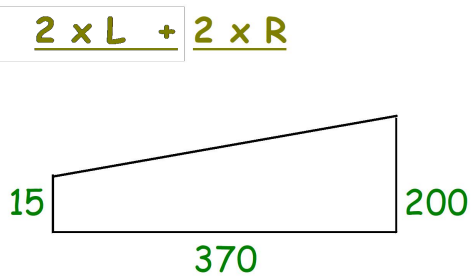
Points

2 x L + 2 x R

2 x L + 2 x R

11

1,65 m²



Glass Dimensions Nv Euro-serre

Gothic 2,36m

GlassH: 1650 WallH. : 430

Glass Size 360mm	Sides		Single	Double	Roof	Size Lenght x Wide			m ²	m ²
	1650 x 360	1650 x 290	1615 x 620	1615 x 550	1250 x 360	825 x 730	420 x 360			
Gothic 2,36m x 3,09m	24	2	1		8	4	8	16,2	7,2	
Gothic 2,36m x 3,80m	28	2	1		12	4	8	18,6	9,0	
Gothic 2,36m x 4,57m	32	2	1		12	6	12	21,0	10,8	
Gothic 2,36m x 5,30m	36	2	1		16	6	12	23,3	12,6	
Gothic 2,36m x 6,04m	40	2	1		20	6	12	25,7	14,4	
Gothic 2,36m x 6,77m	44	2	1		20	8	16	28,1	16,2	
Gothic 2,36m x 7,53m	48	2	1		24	8	16	30,5	18,0	
Gothic 2,36m x 8,30m	52	2	1		28	8	16	32,8	19,8	
Gothic 2,36m x 9,02m	56	2	1		32	8	16	35,2	21,6	

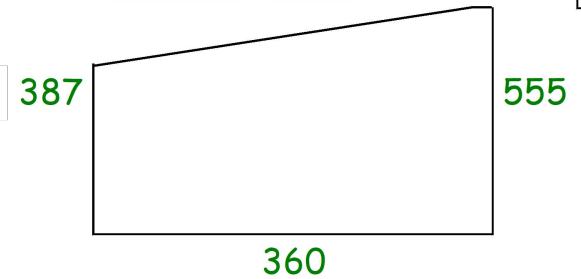
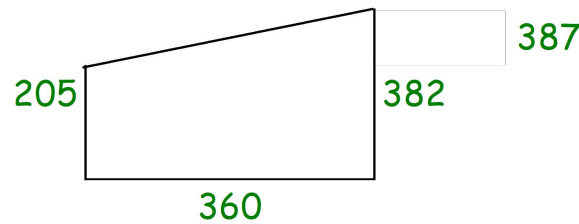
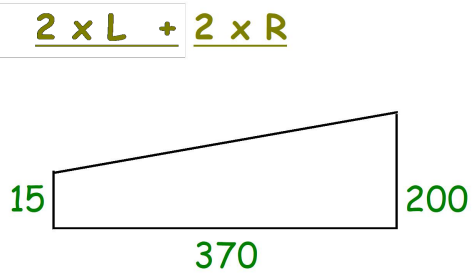
Points

2 x L + 2 x R

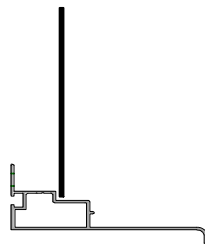
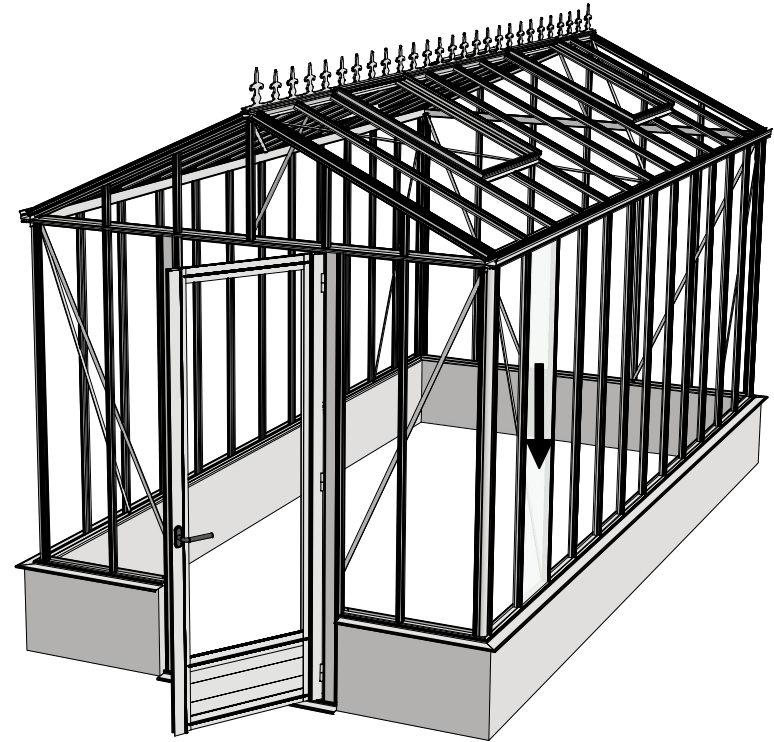
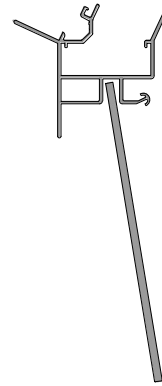
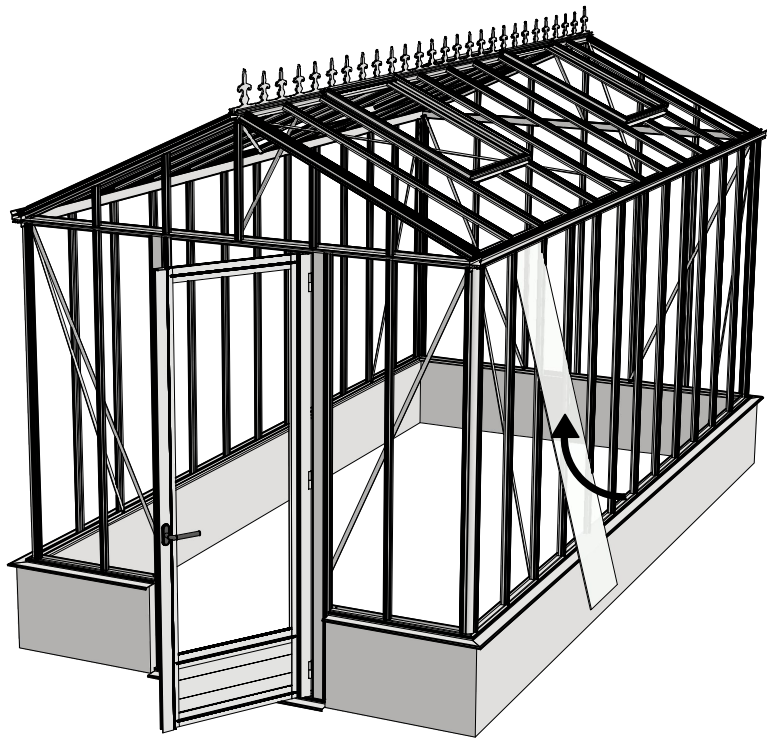
2 x L + 2 x R

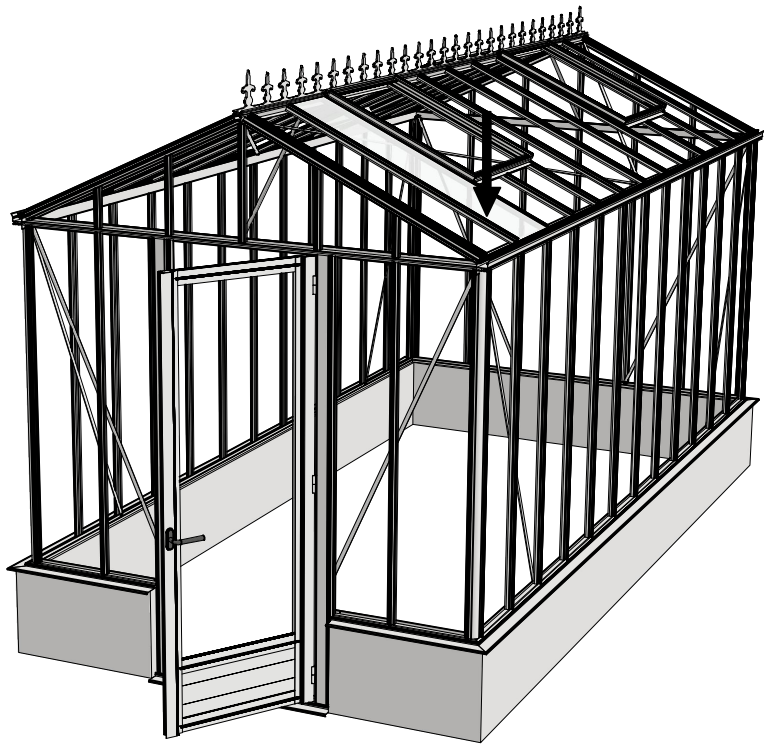
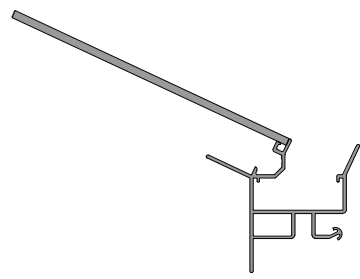
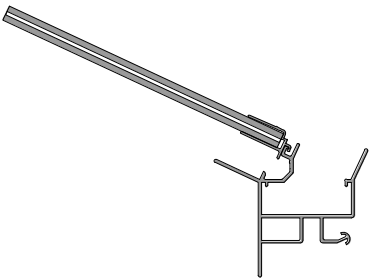
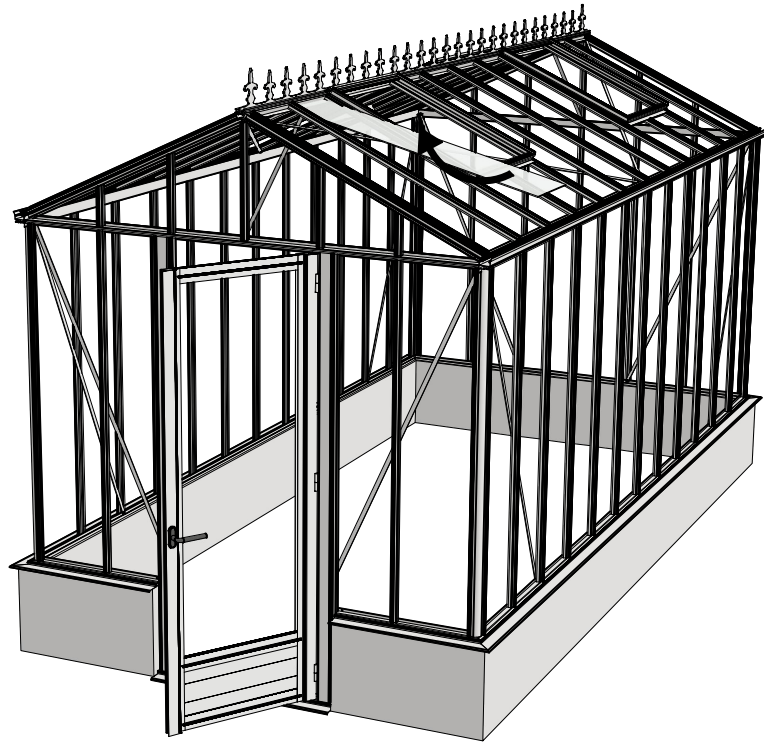
11

1,65 m²

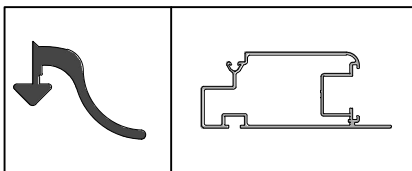
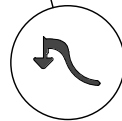
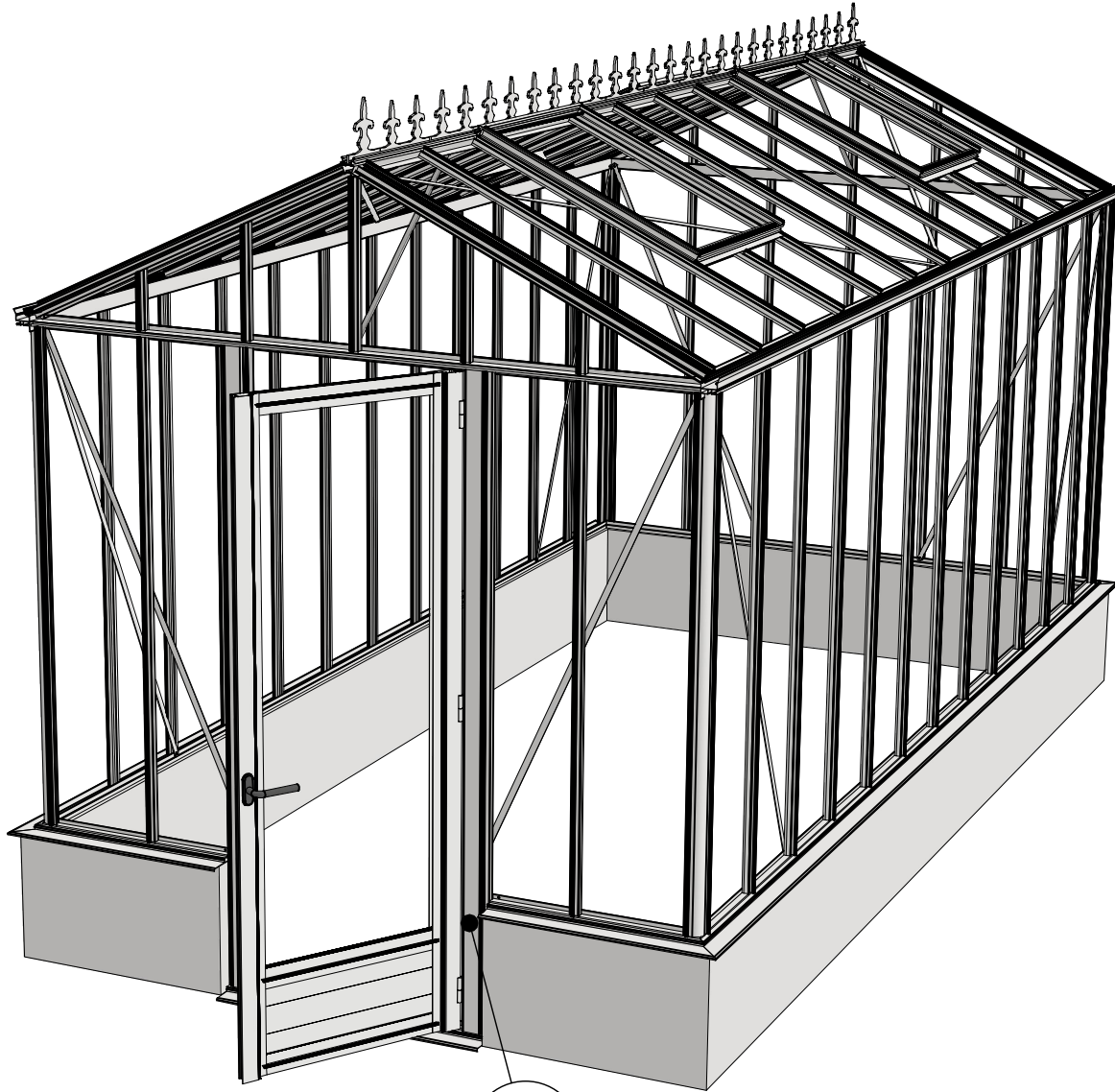


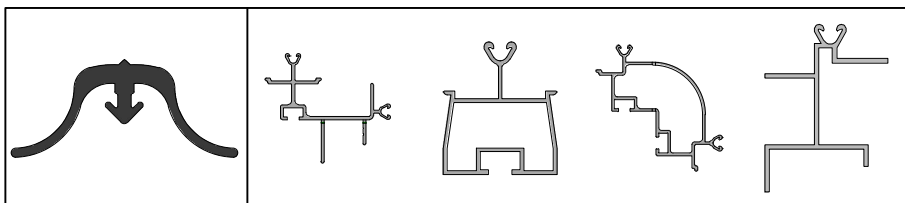
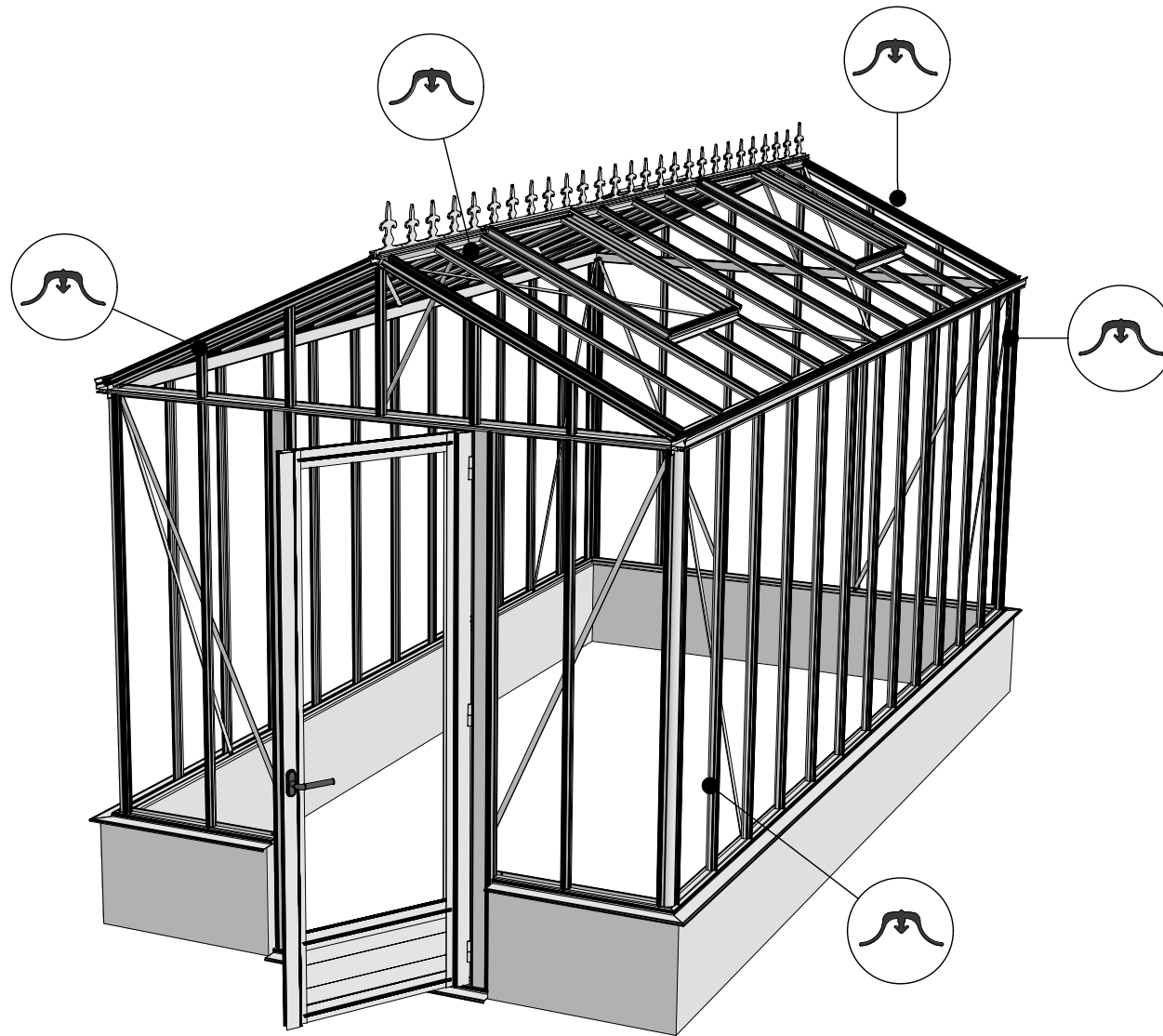
Opgemaakt op 28-10-2022

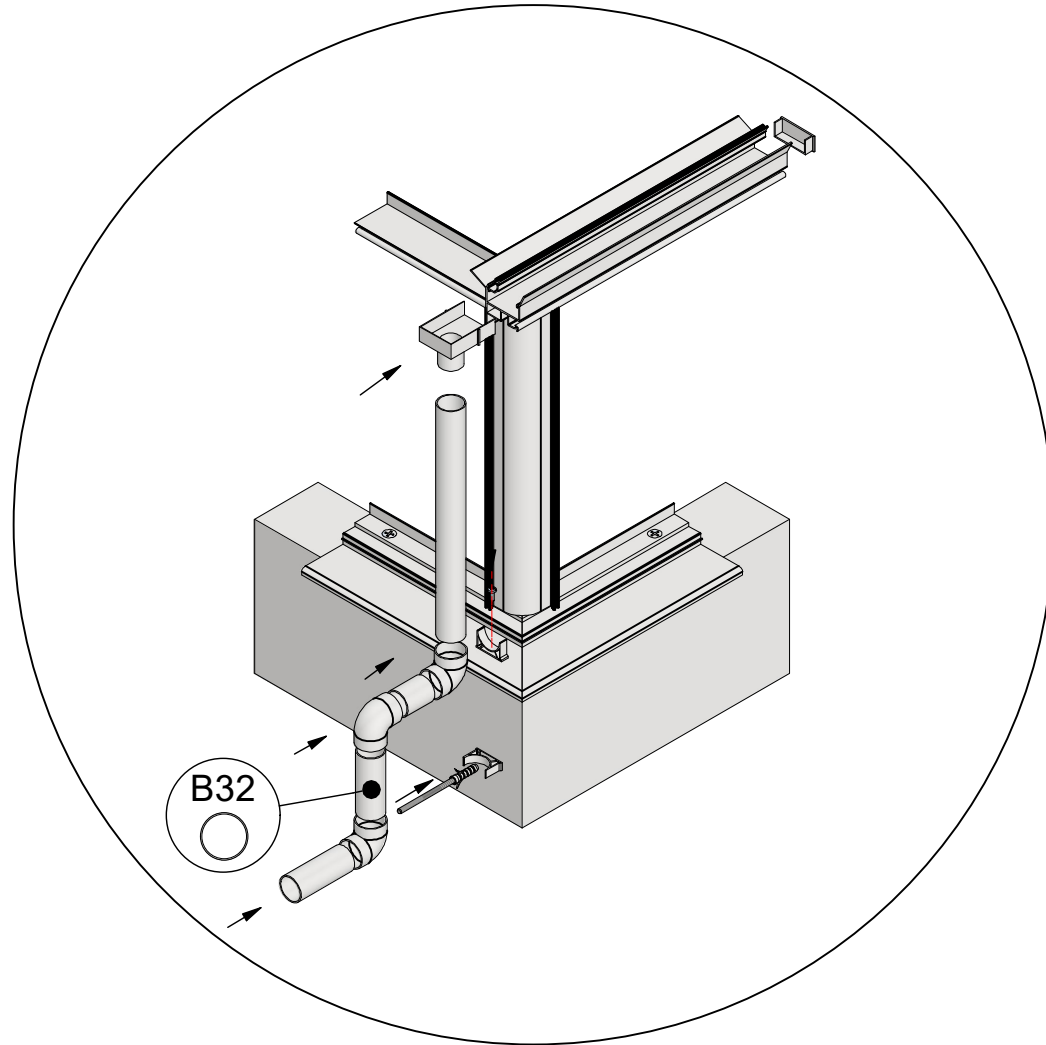
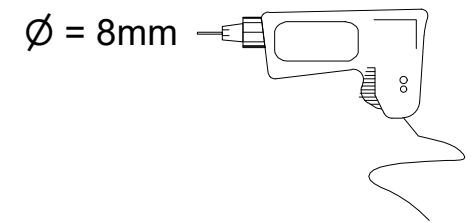
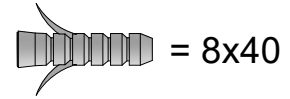
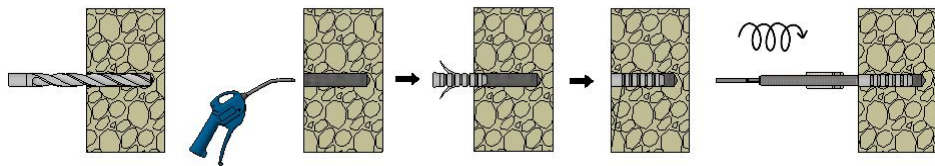


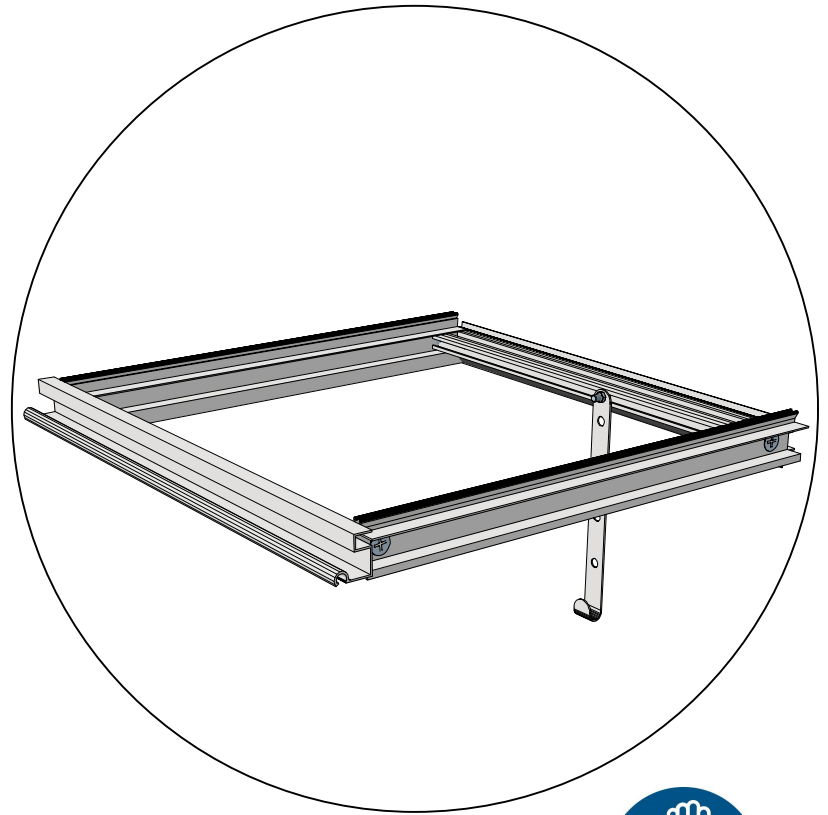
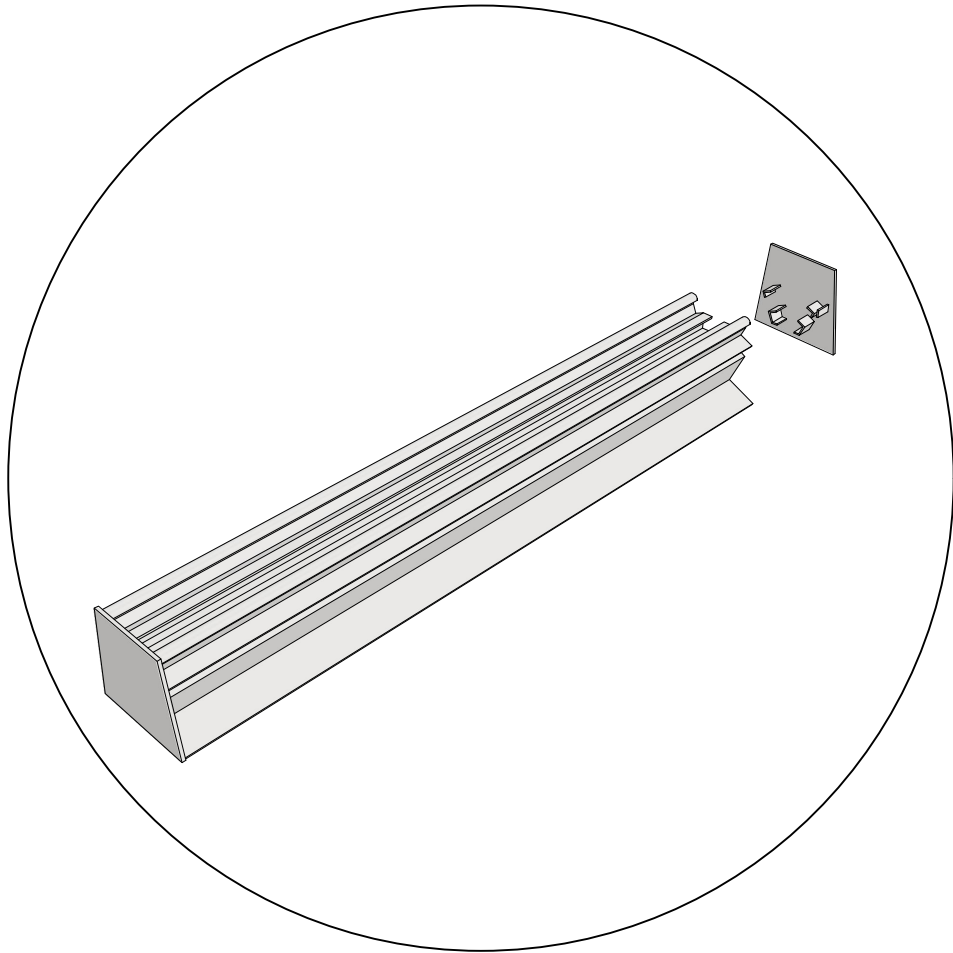














Geleenlaan 1 - 3600 Genk

ref: Gothic-001 Rev. 05.10.2023

OCBS - 1148-CPR-20231003-989 C €

EN 1090-1 EXC 1

Gothic

www.euroserre.com/cecificaten