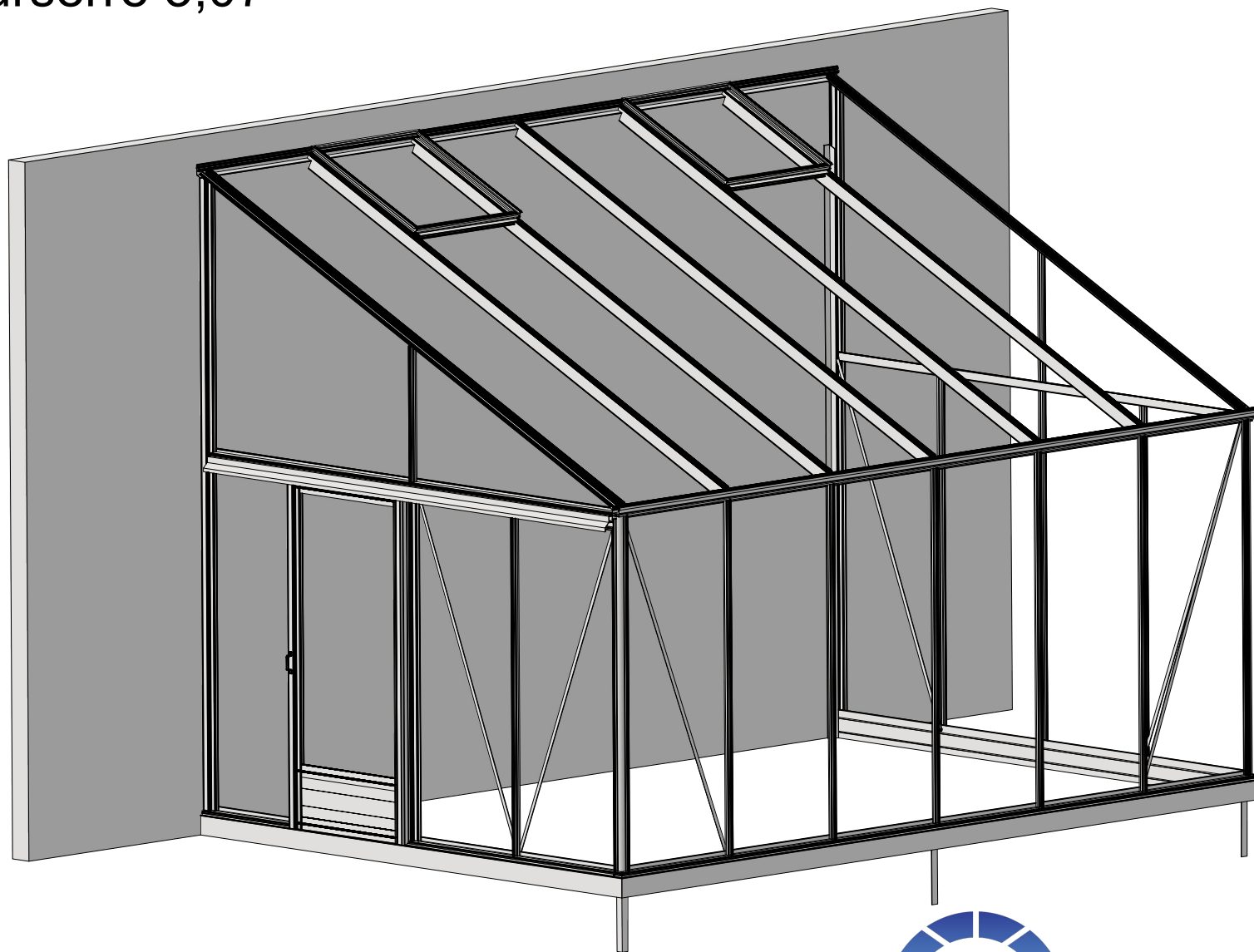
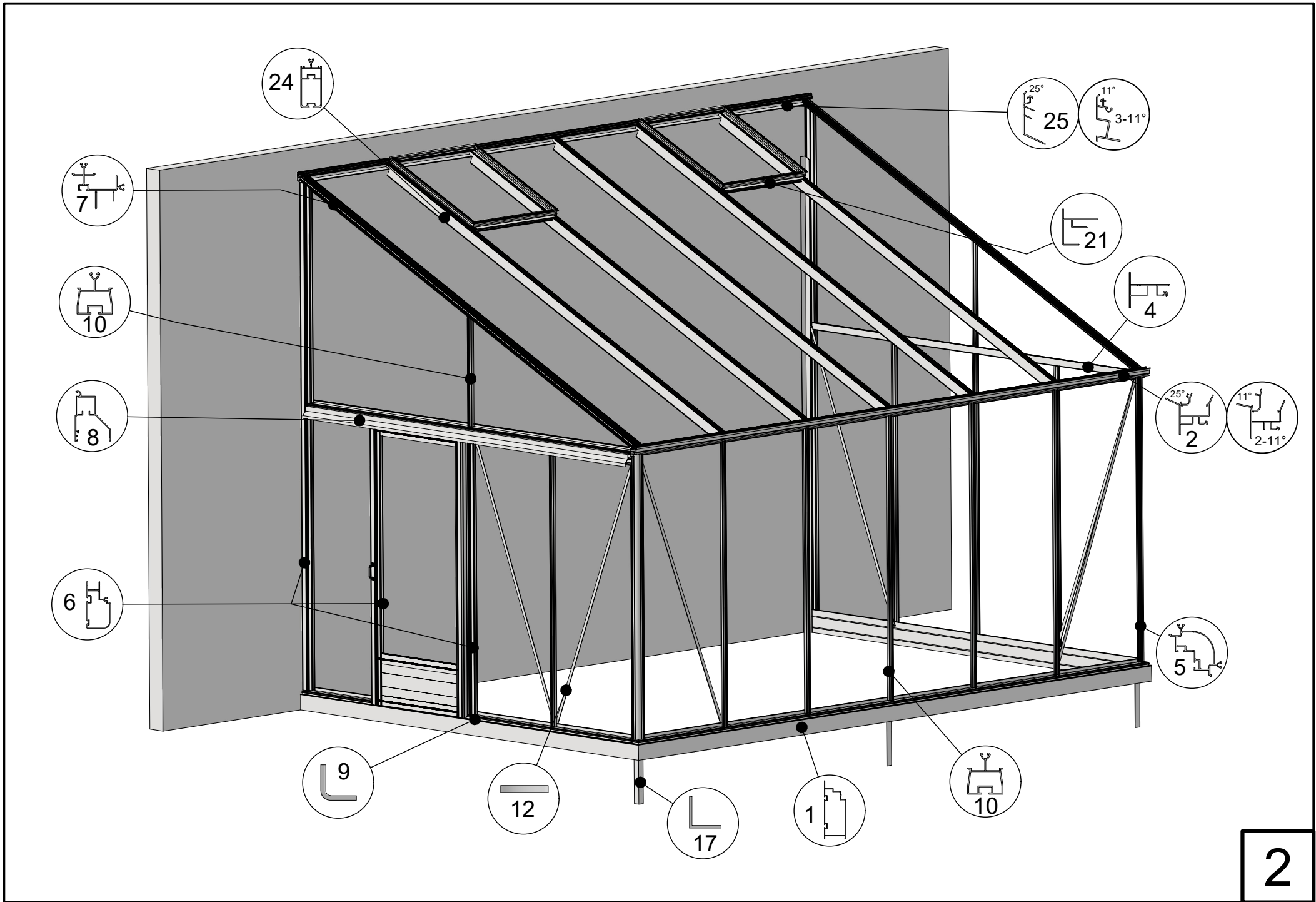



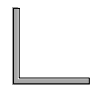
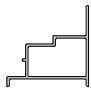

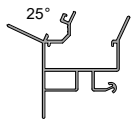
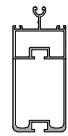


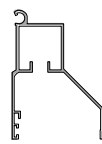

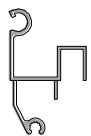
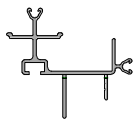
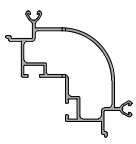
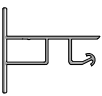
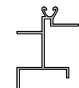
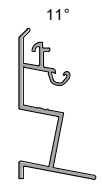
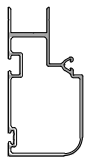

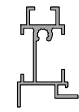
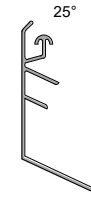
Euro-Muurserre 3,07



08-11-2023



Profile list

-	NR	Profile NR	-	NR	Profile NR	-	NR	Profile NR	-	NR	Profile NR
	2-11°	7151		17	L40/40/2		1A	17552		9	L15/15/2
	2	11788		24	10968		12	7070		21	29577
	8	7633		1	17538		18	17542		7	7151
	5	17548		4	17549		19	17543		3-11°	11280
	6	9915		10	17541		20T	28513		25	17666

- Attention! Check inside the foundation for more profiles.
- Please fasten screws and nuts hand-tight.

- Achtung! Prüfen sie das fundament für weitere profile.
- Schraube und Mutter bitte handfest festziehen.

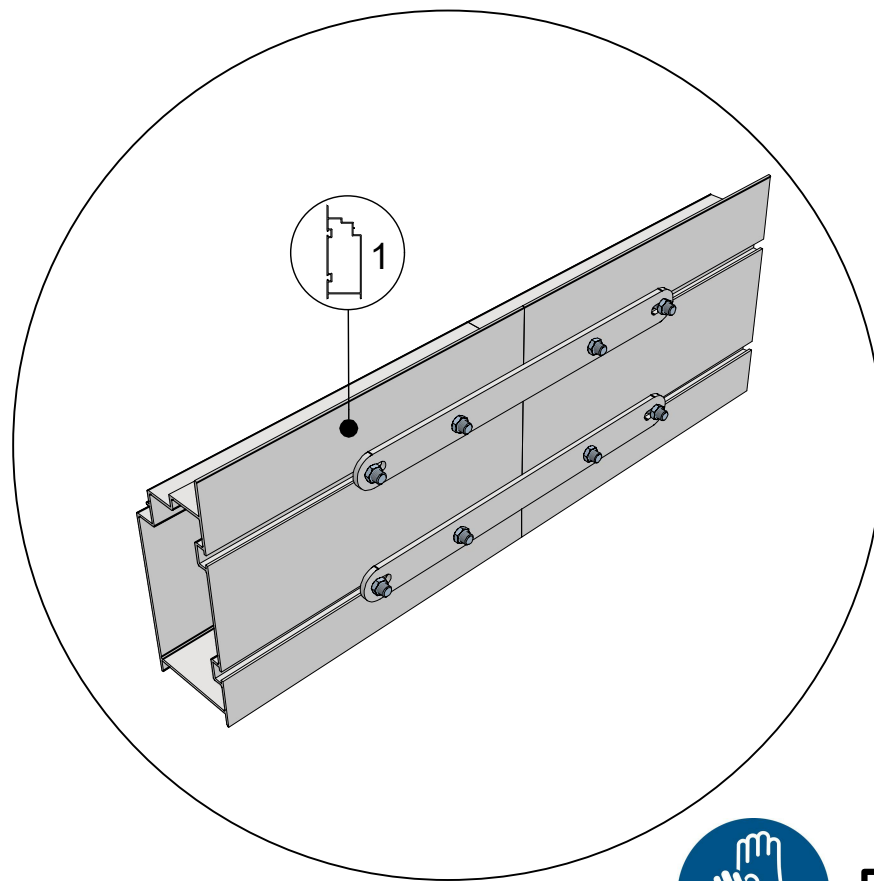
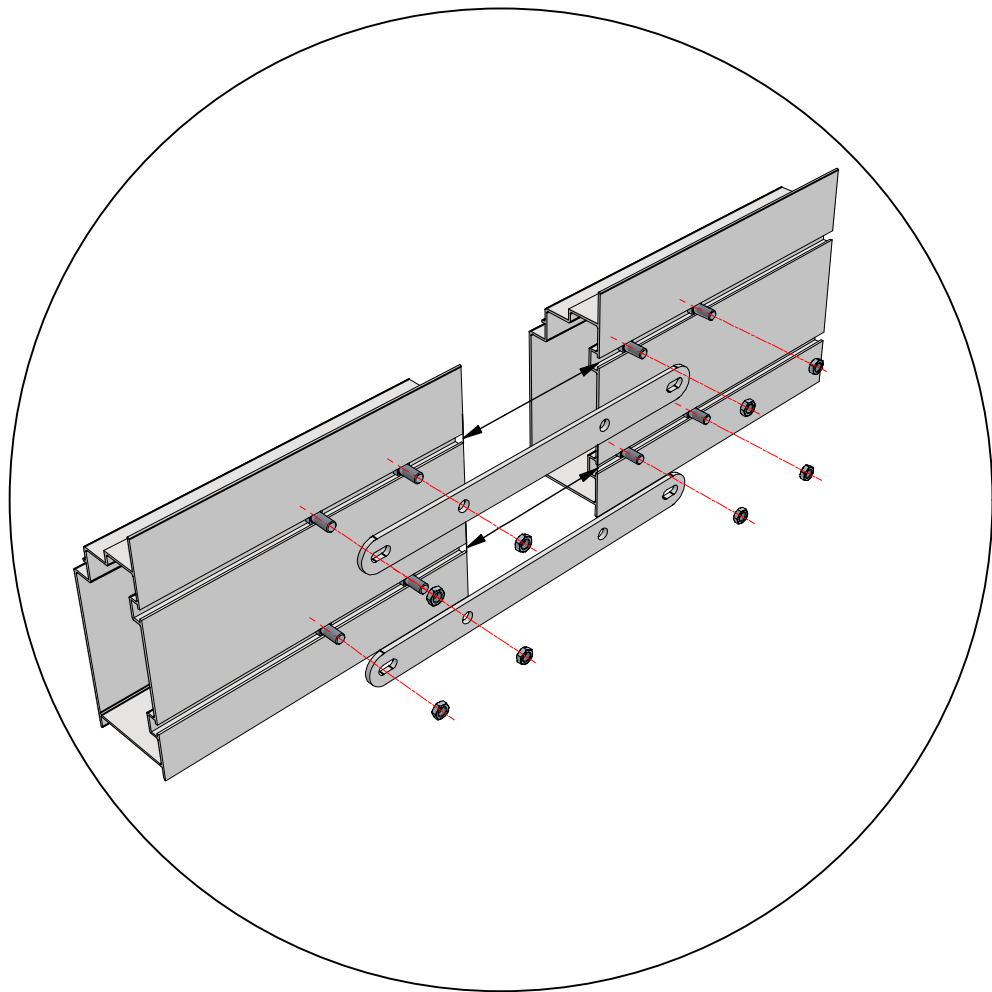
- Opgelet! kijk in de fundering voor andere profielen.
- Bout en moer a.u.b. handvast aandraaien.

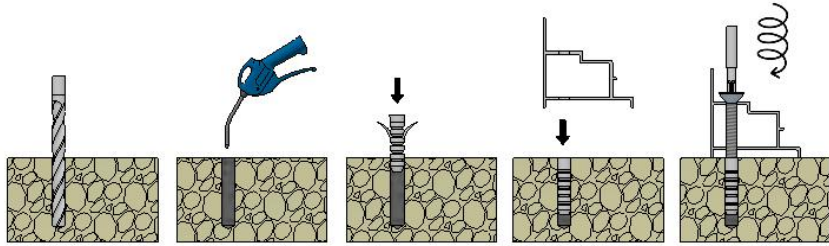
- Attention! Regarde à l'intérieur du fondation pour plussier profils.
- Serrez les écrous et vis à la main s.v.p.

- Observera at en del profiler ligger i sockelprofilen!!
- Dra åt skruven och muttern handfast.

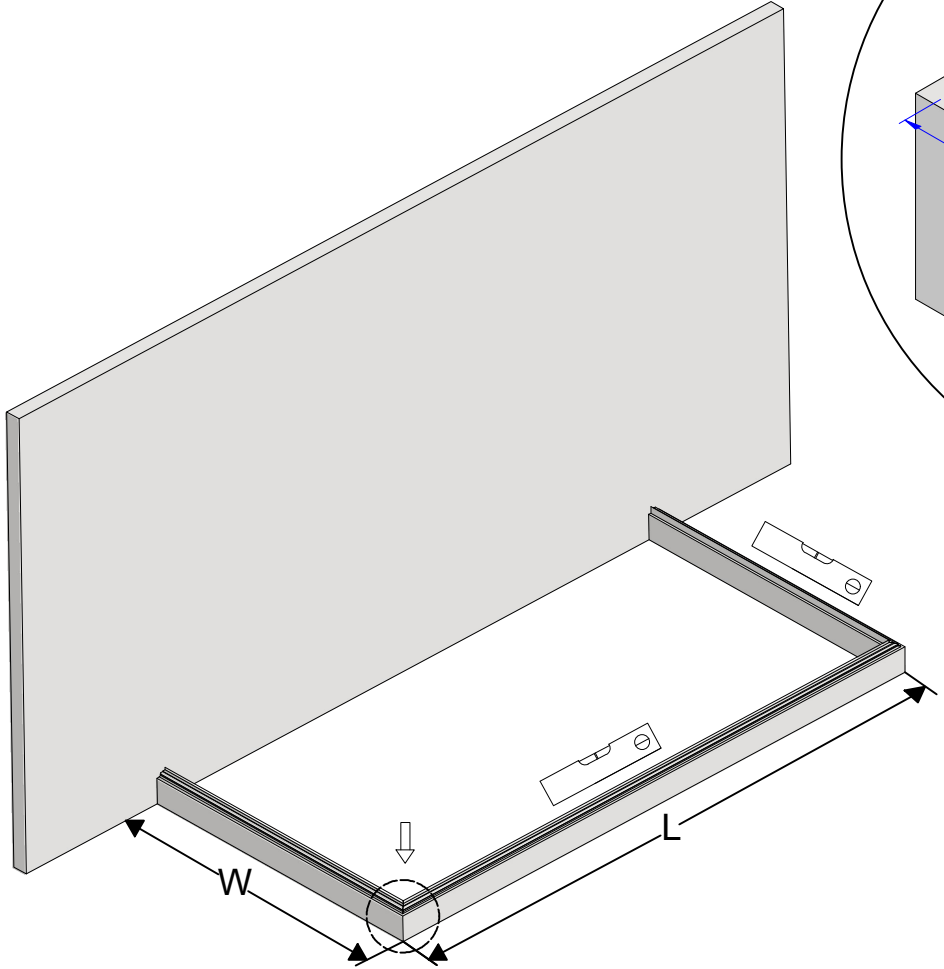
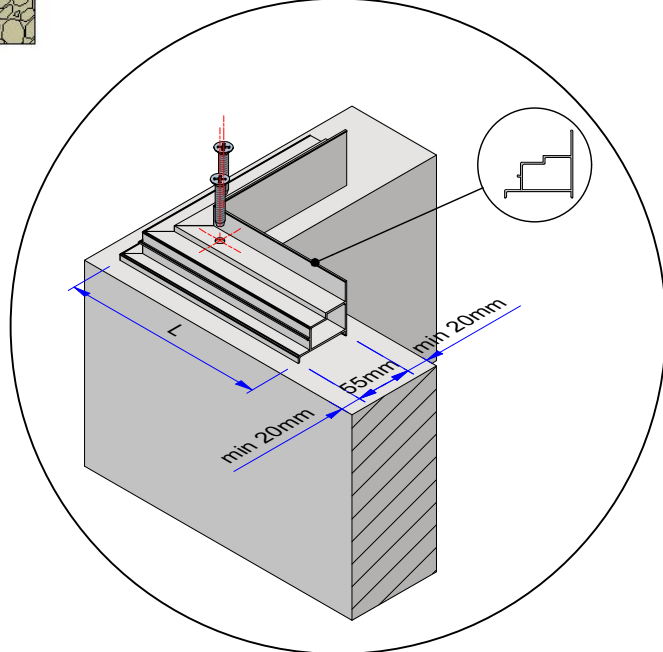
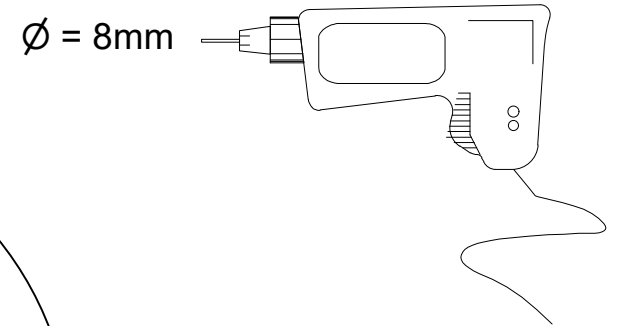
Euro-Muurserre > 6,04 M

 = M6x12 (8x)






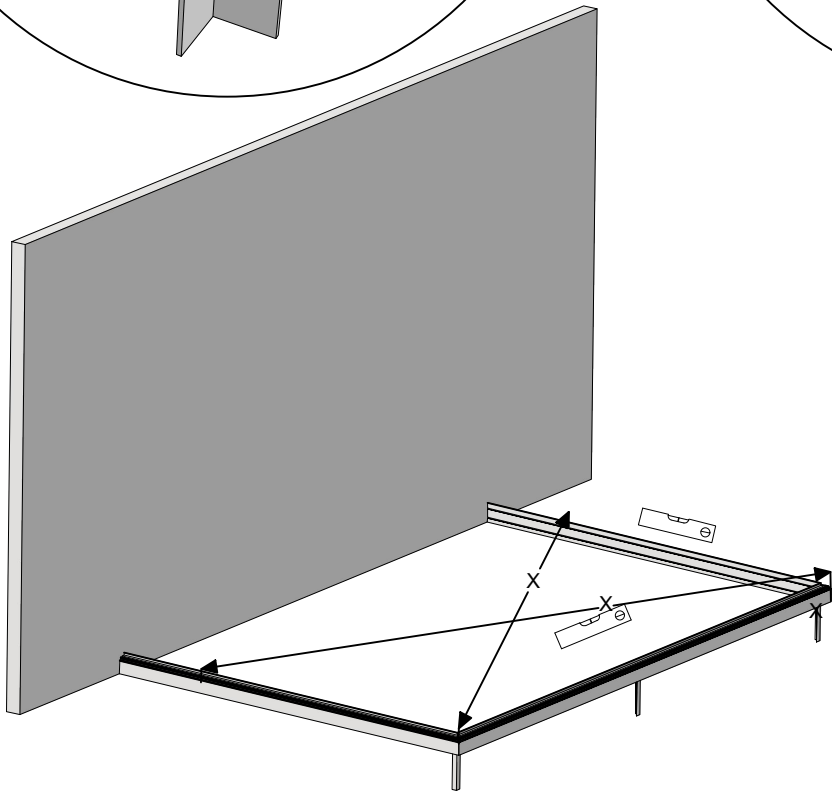
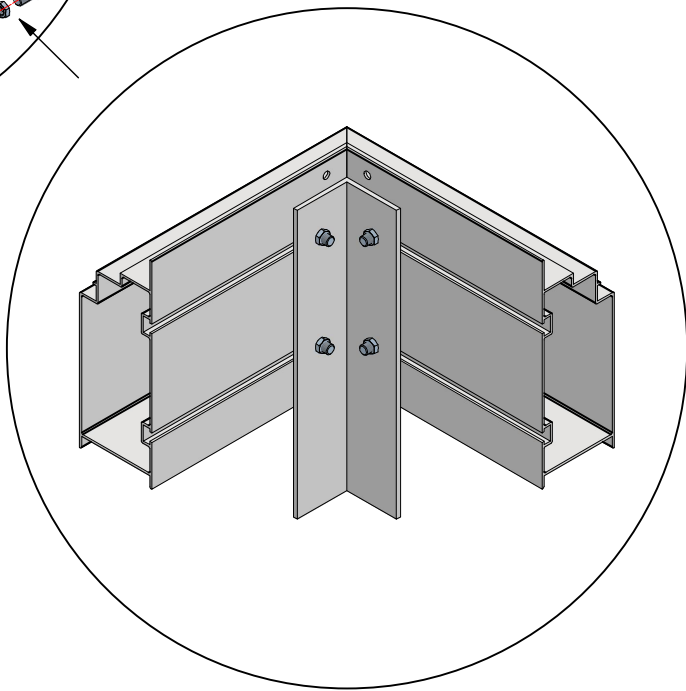
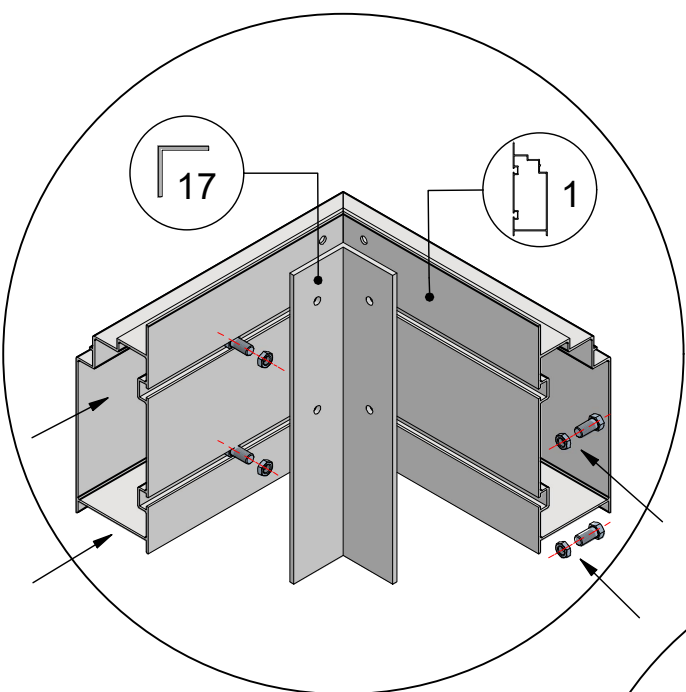
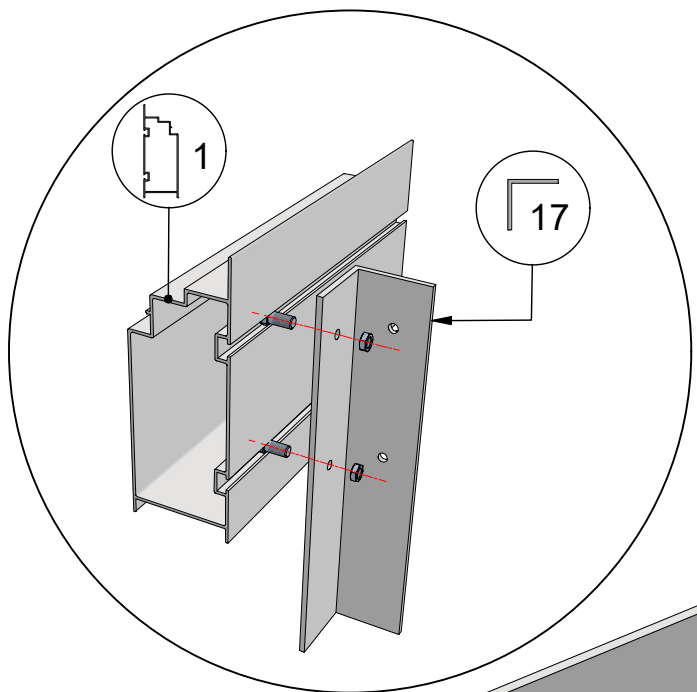
= 8x40 = 6x120

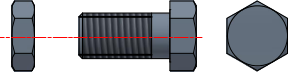


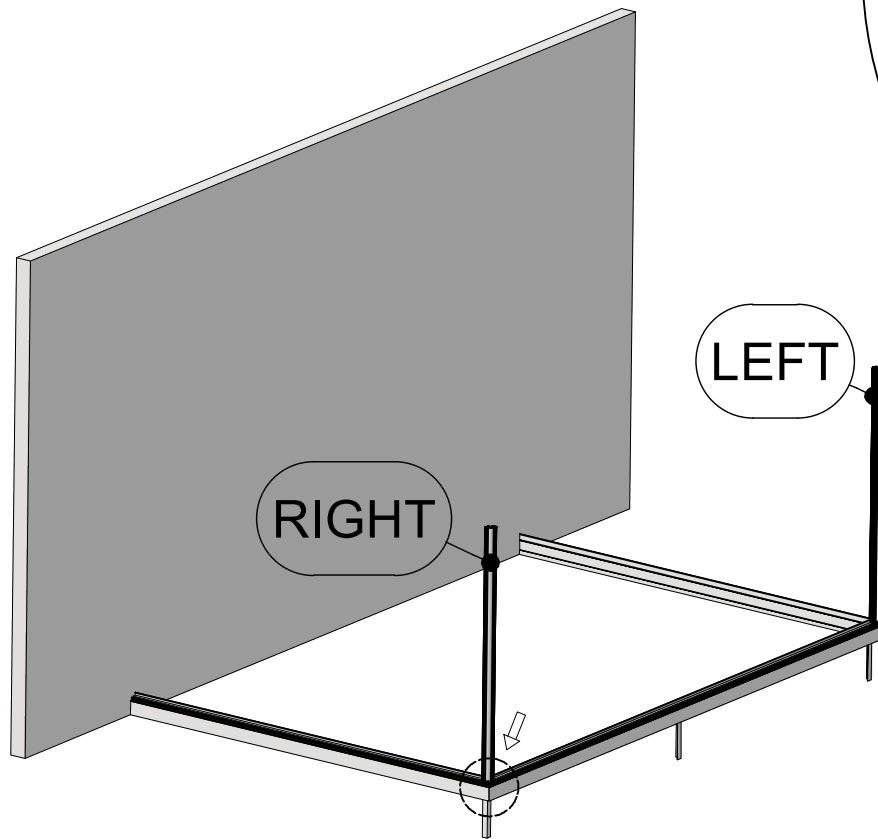
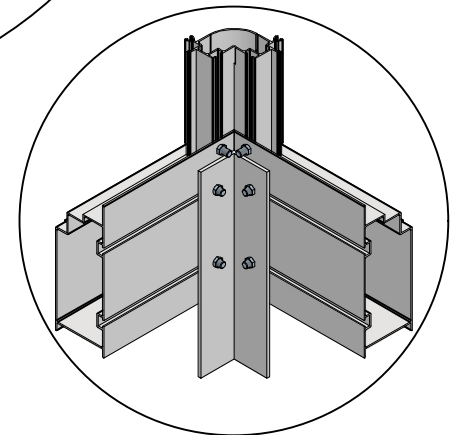
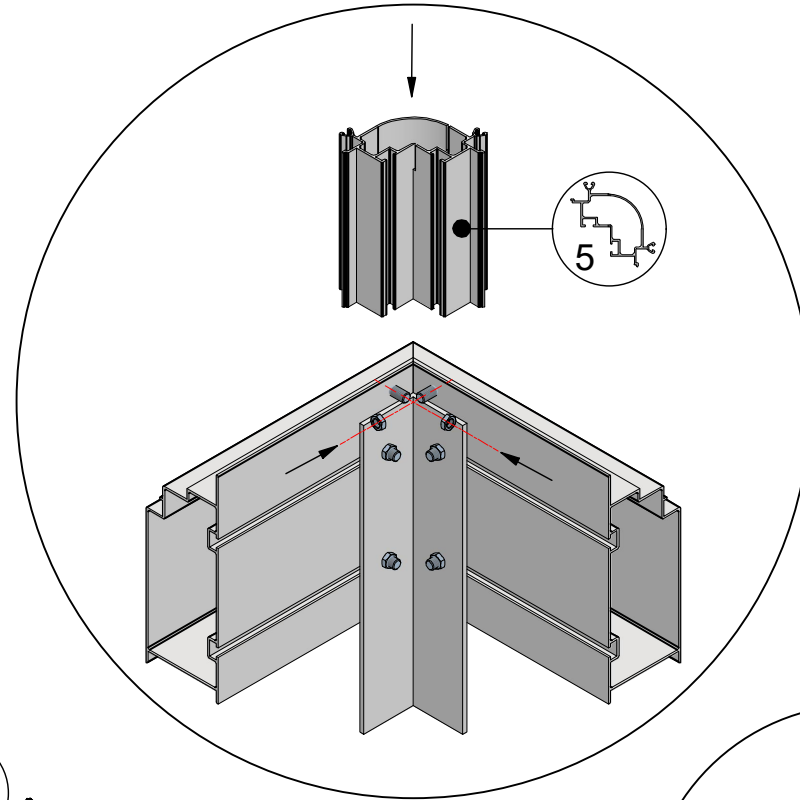
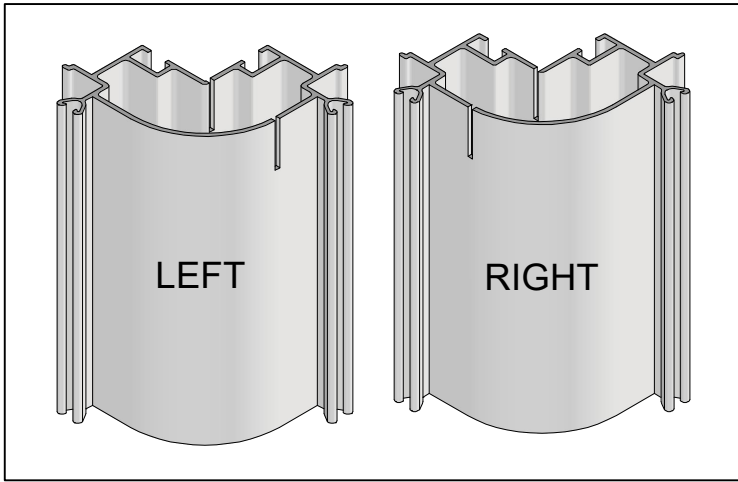
W	L
3066	2347
	3084
	3821
	4558
	5295
	6032
	6769
	7506
	8243
	8980

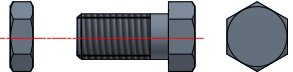


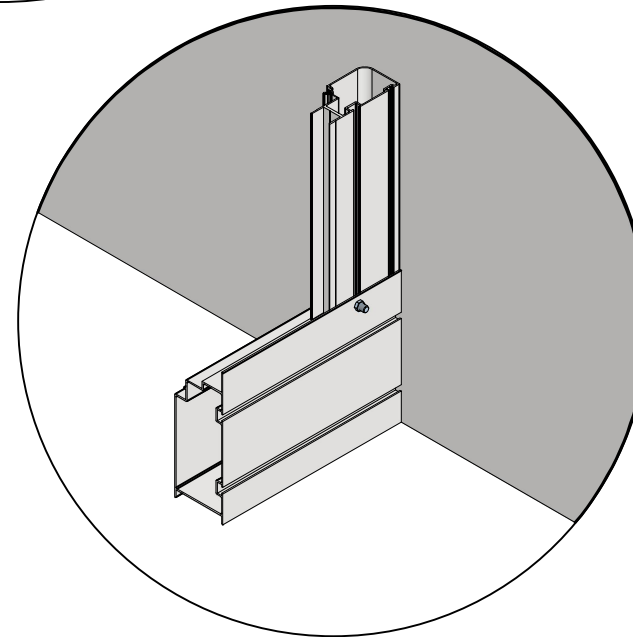
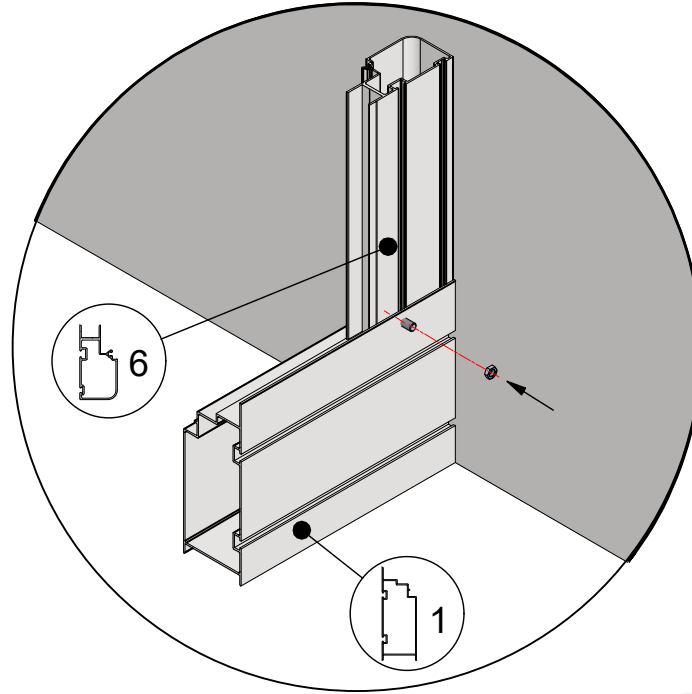
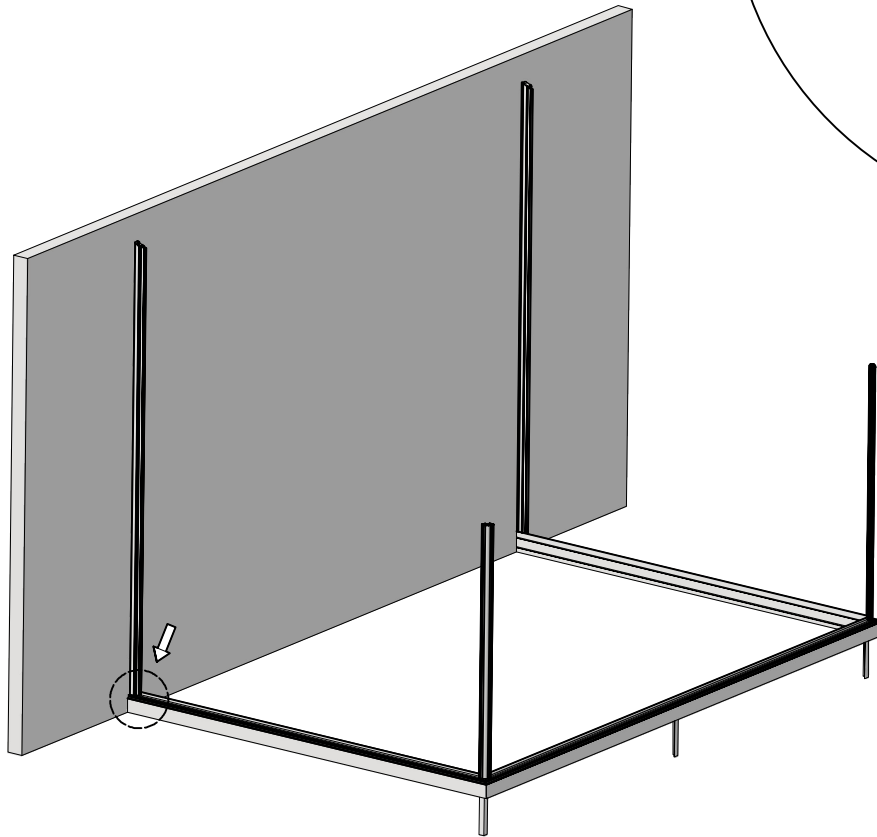
 = M6x12

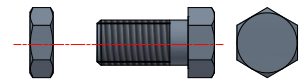


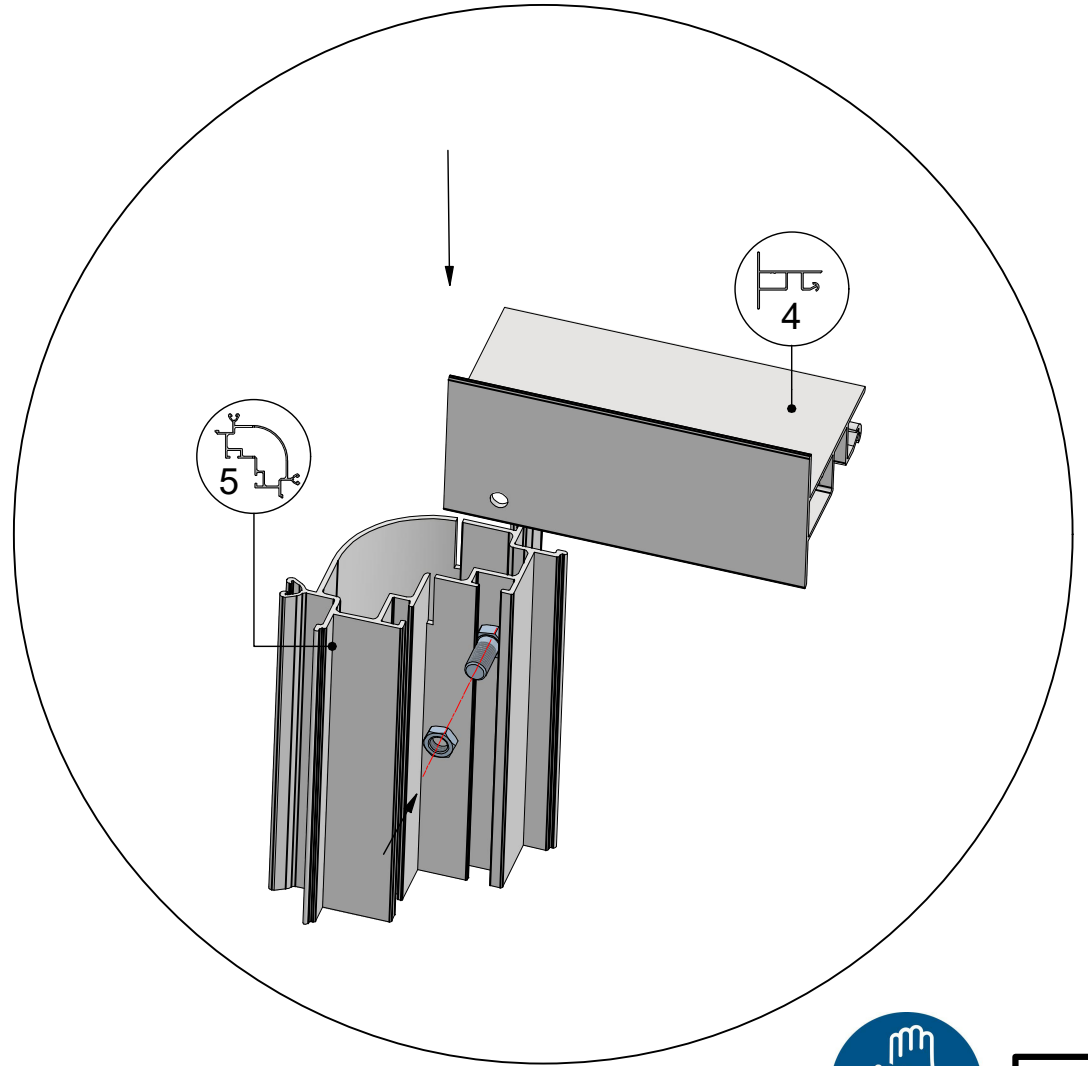
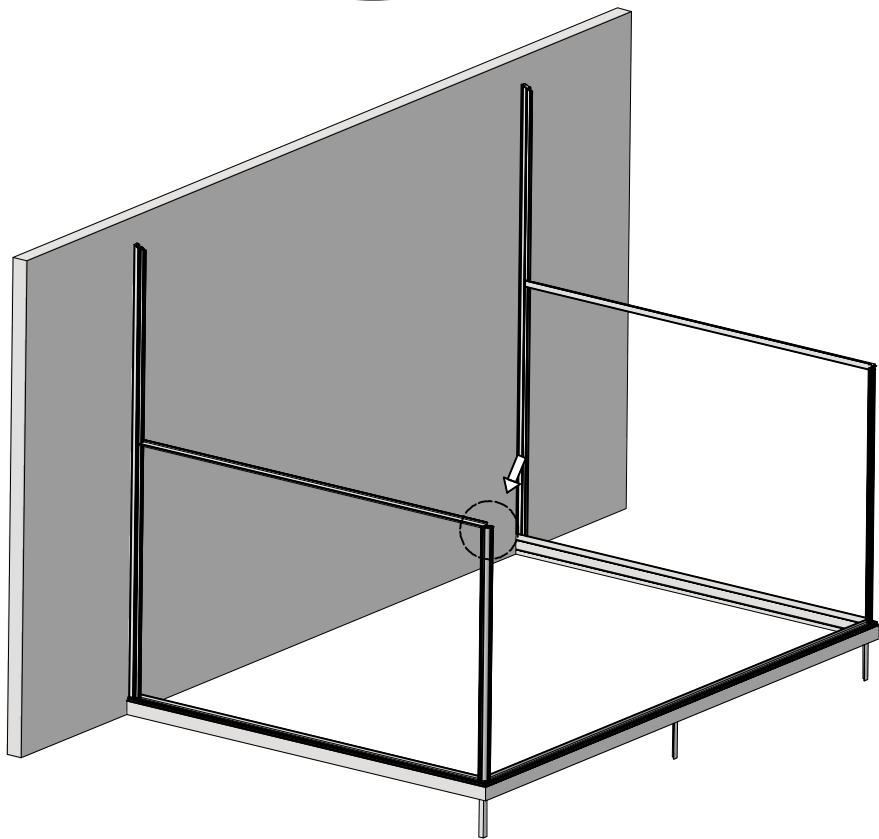
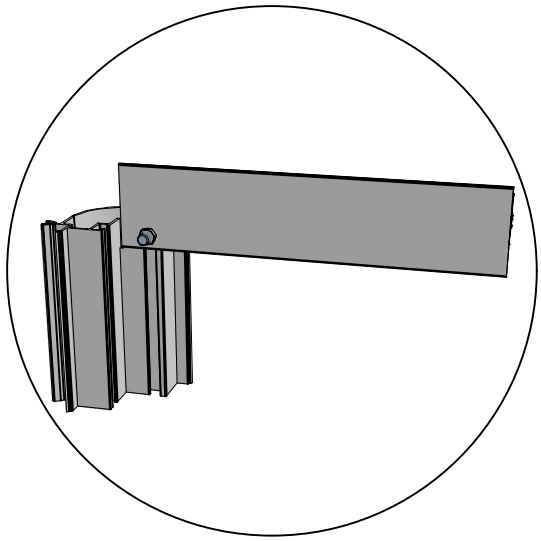
 = M6x12



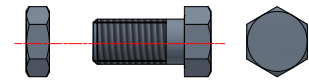
 = M6x12

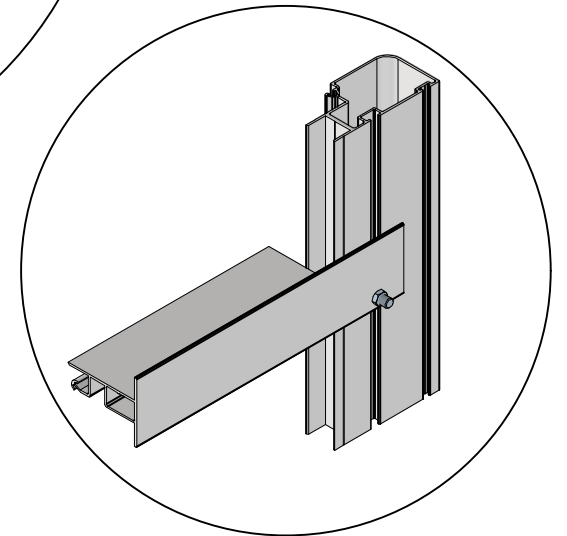
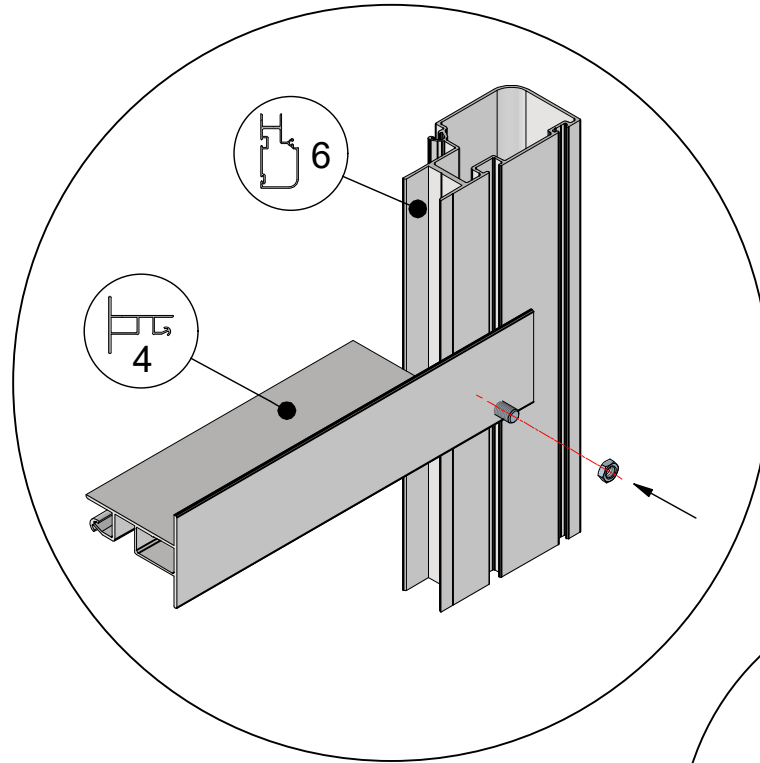
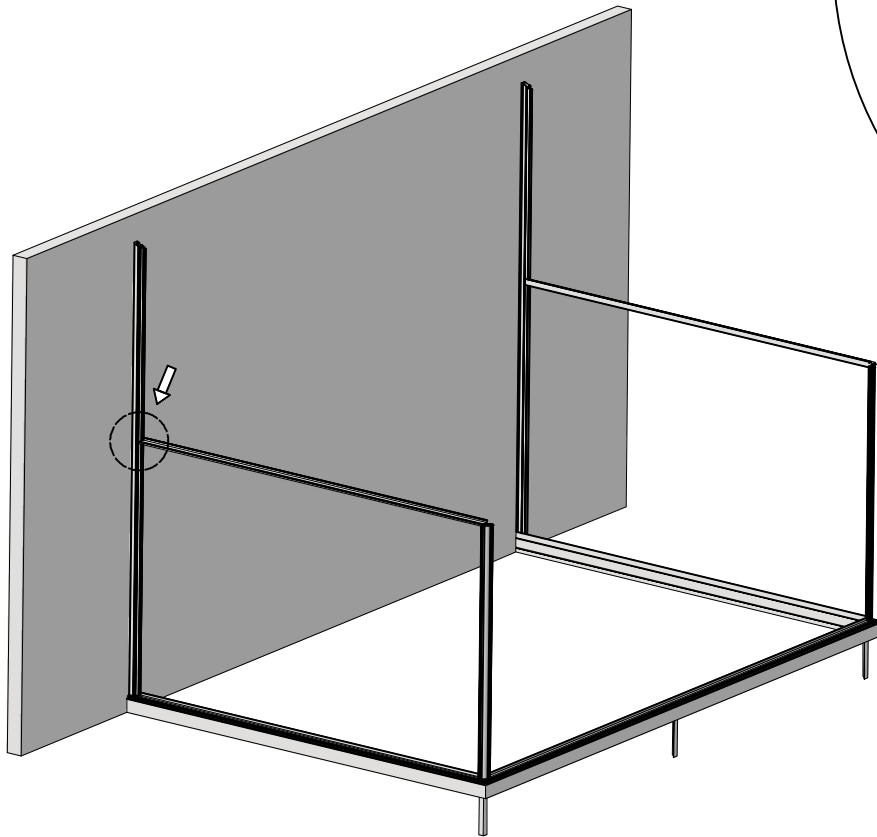


 = M6x12

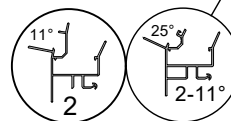
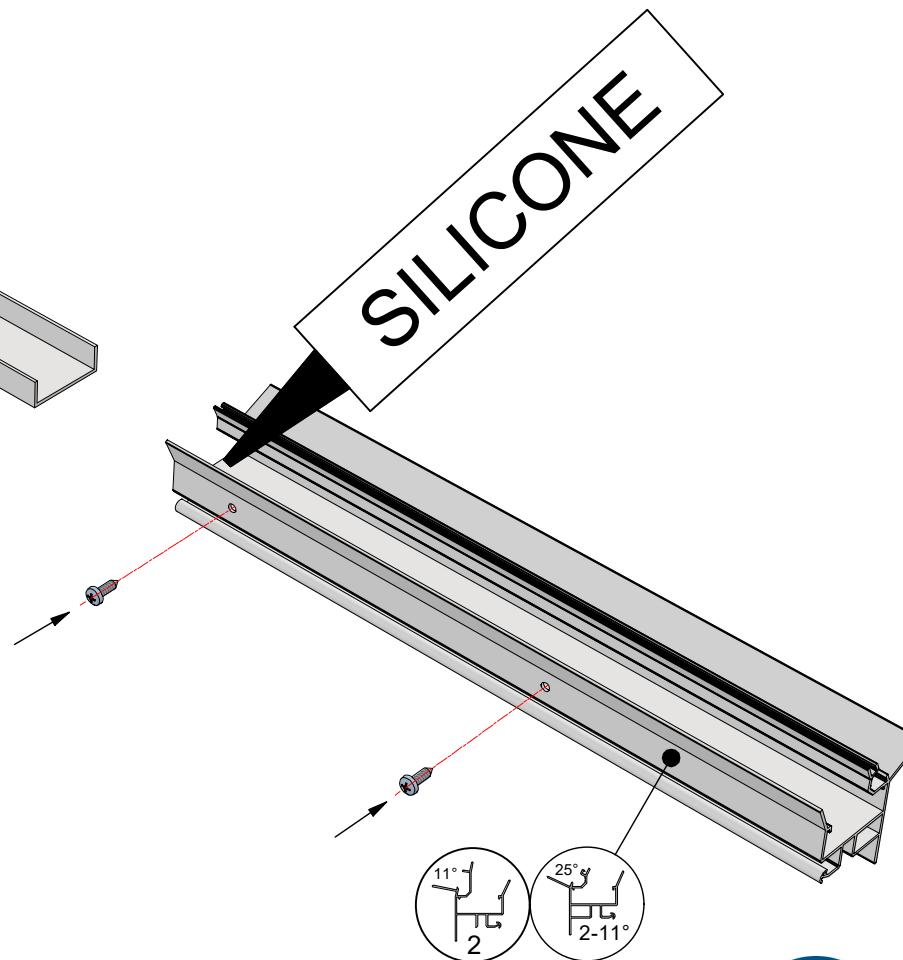
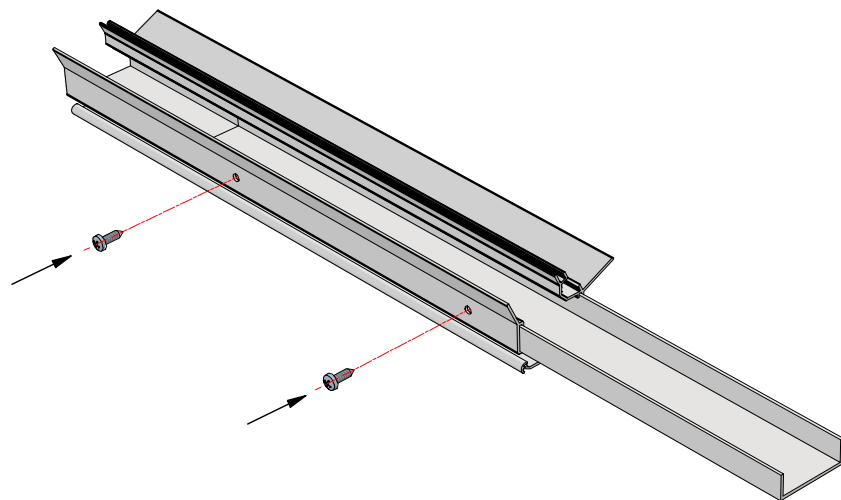
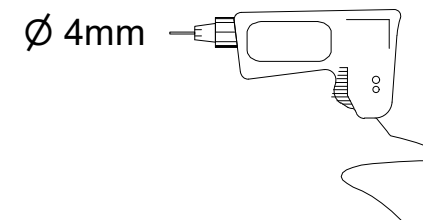


10

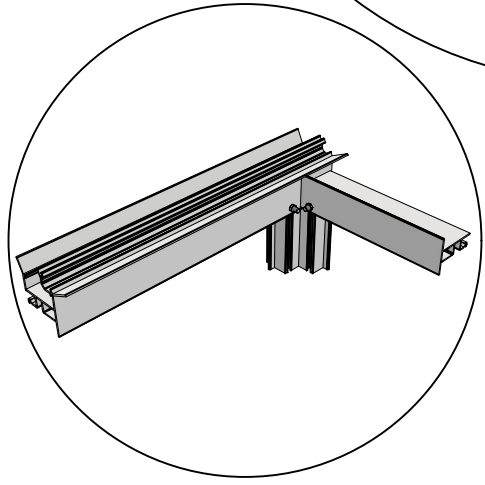
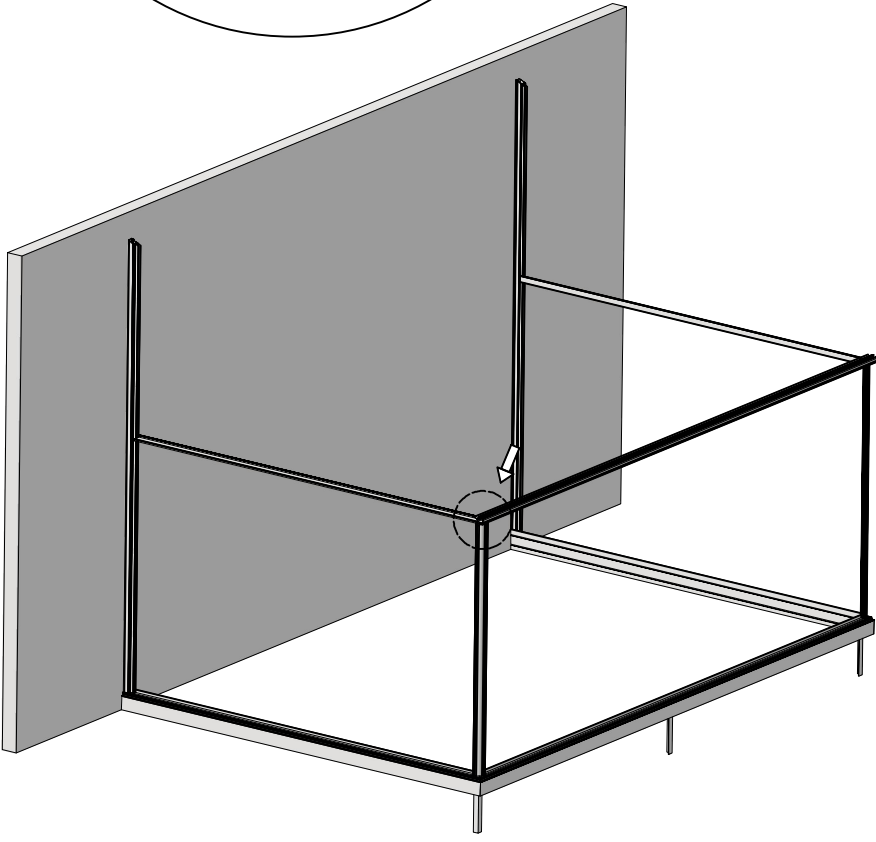
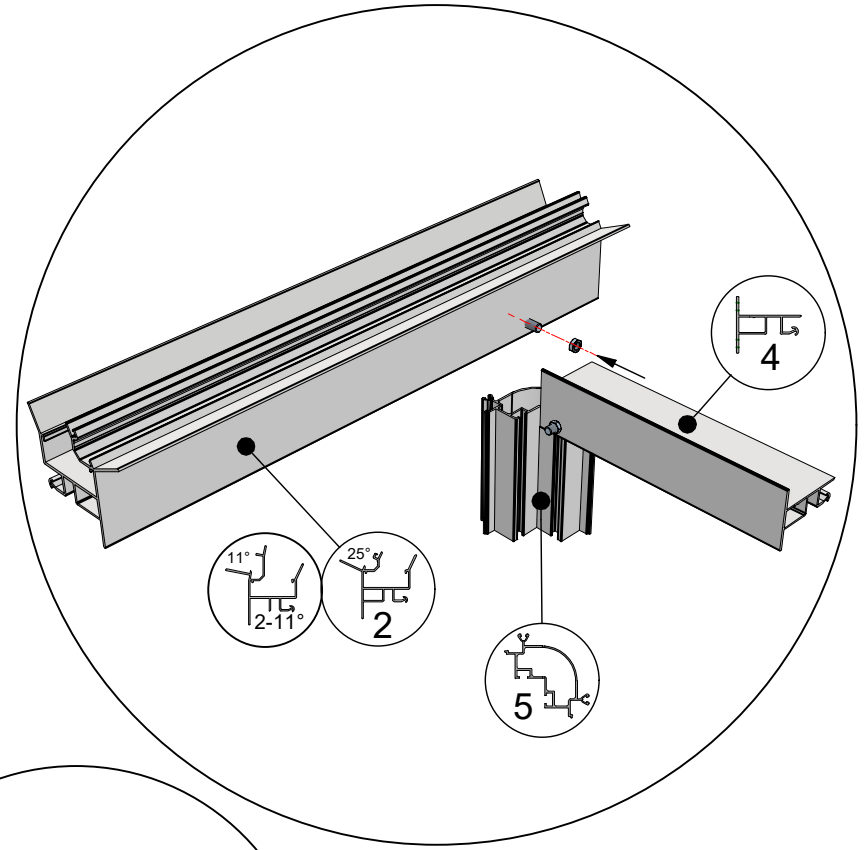
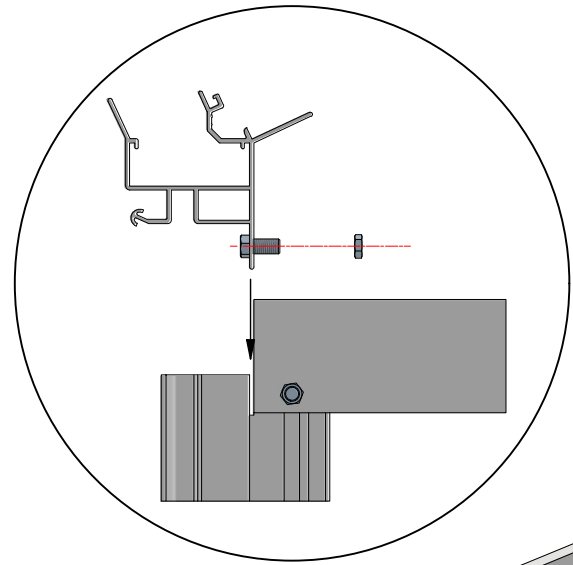
 = M6x12




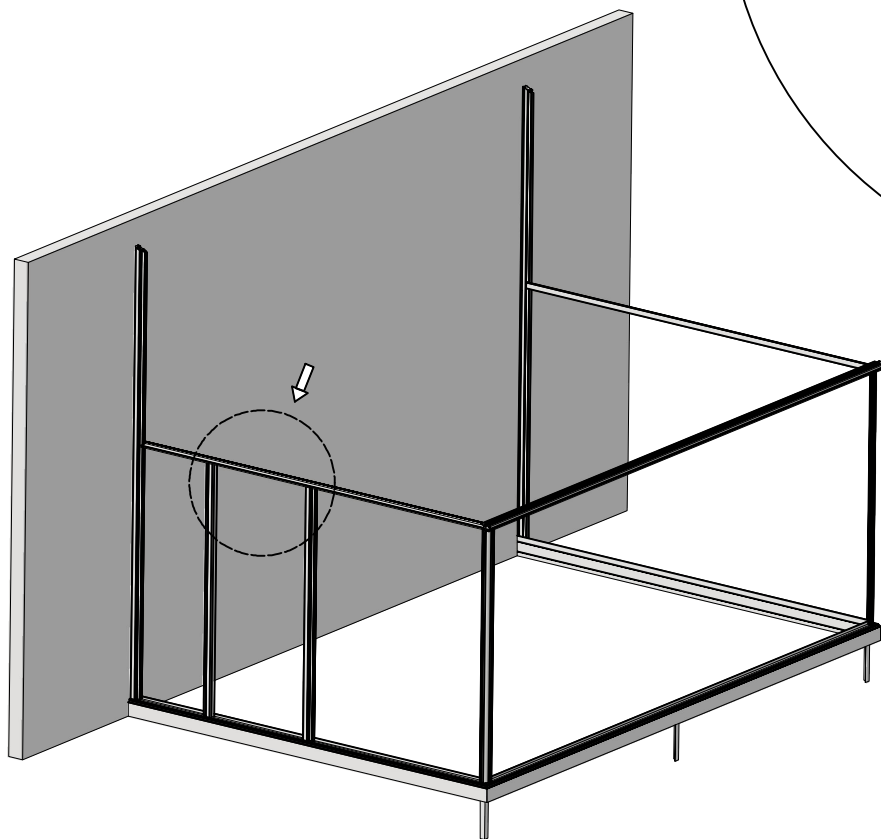
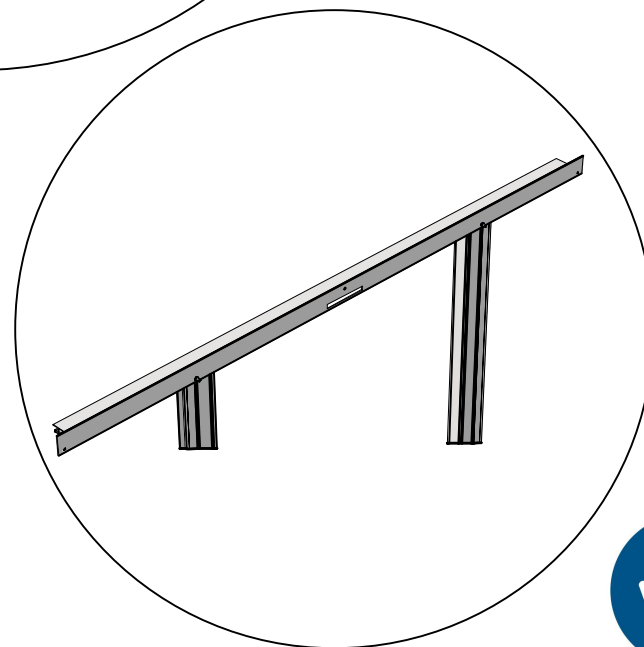
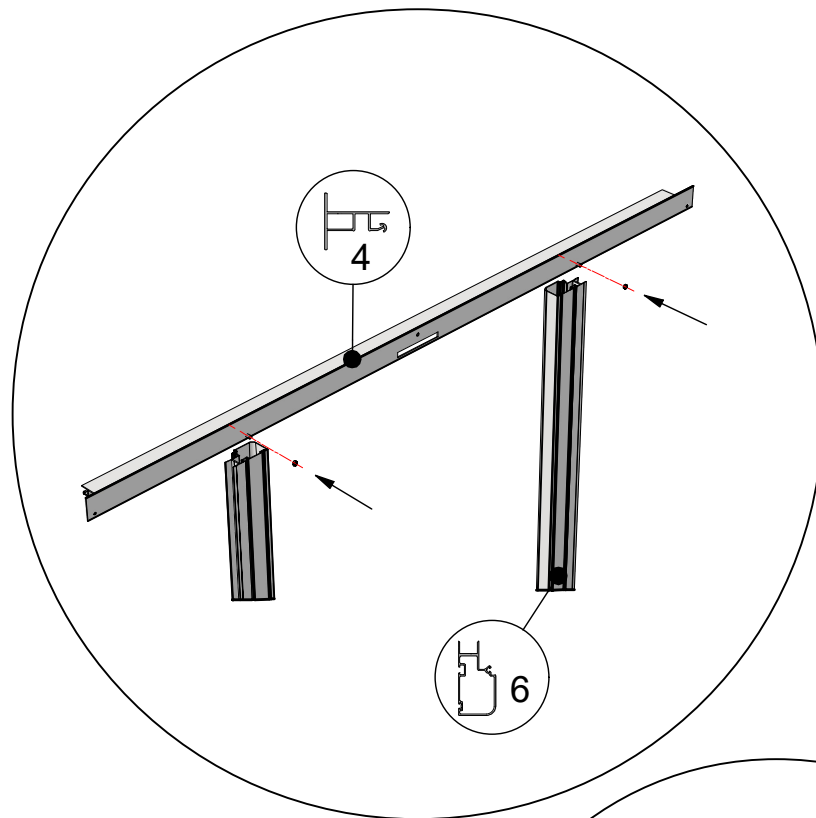
Euro-Muurserre > 6,04 + 6,77 + 7,53 + 8,30




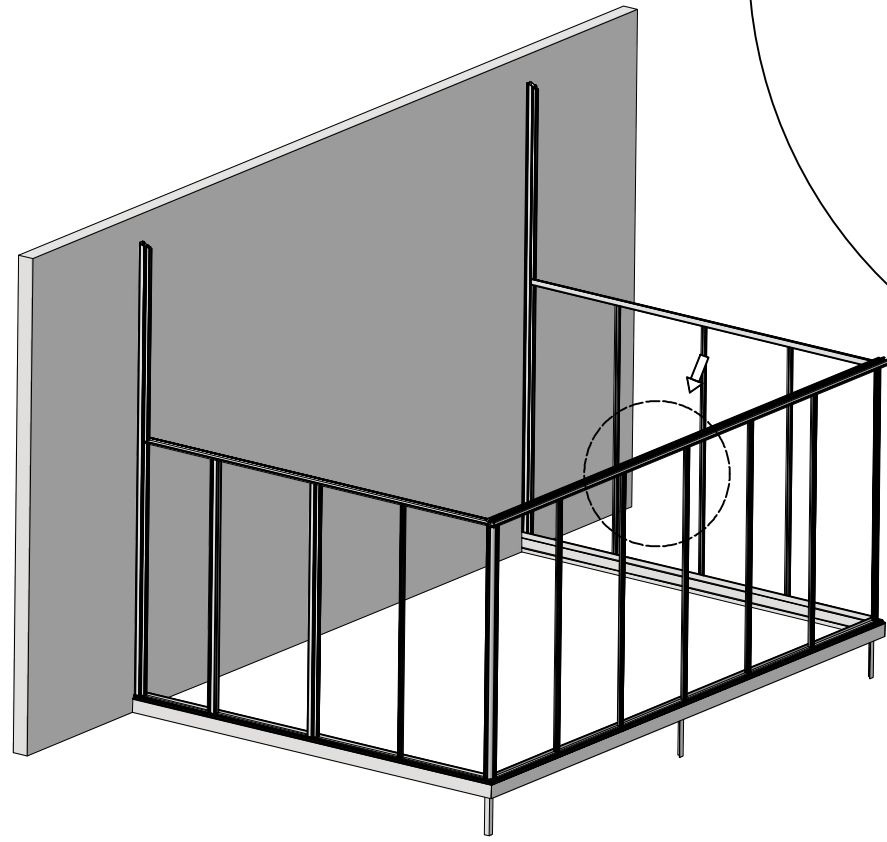
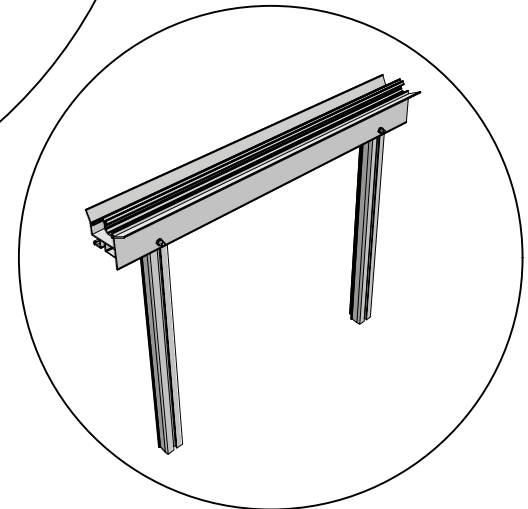
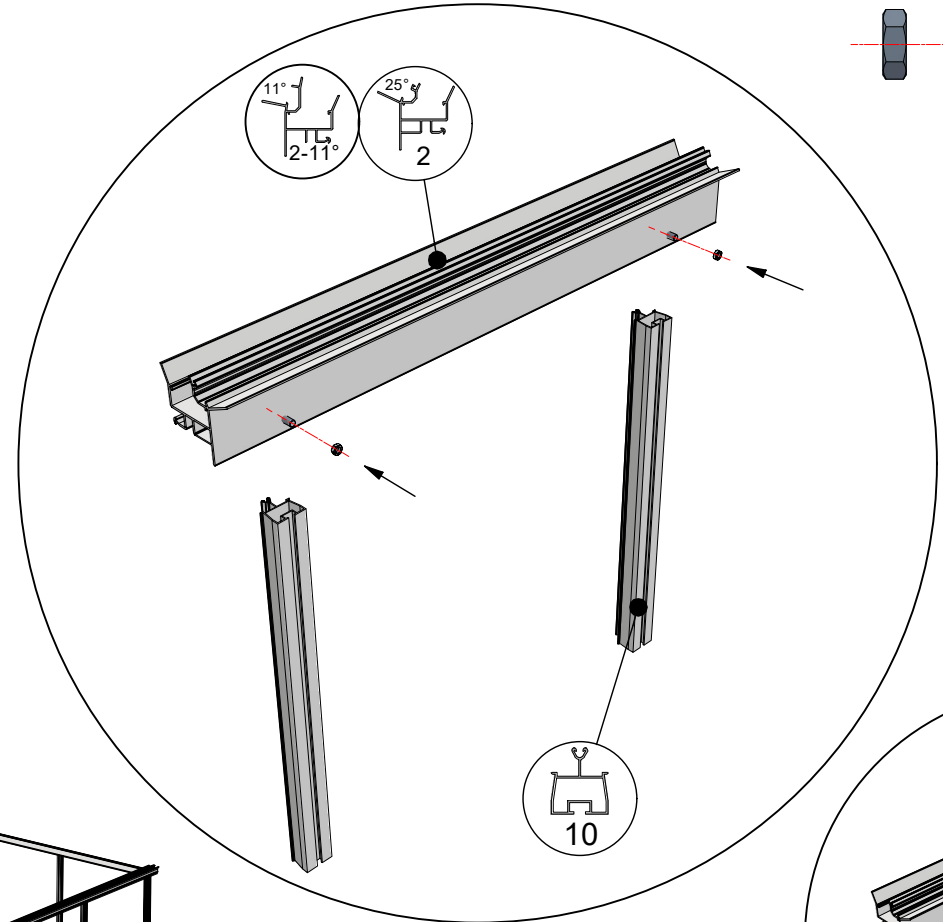
 = M6x12 (4x)

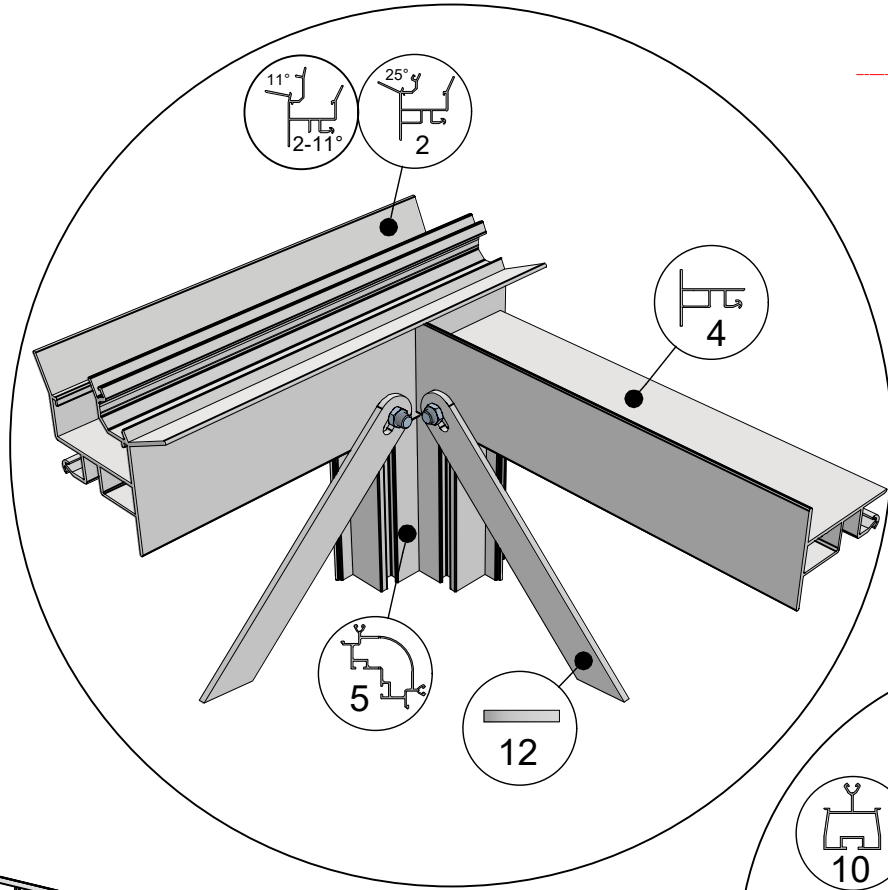
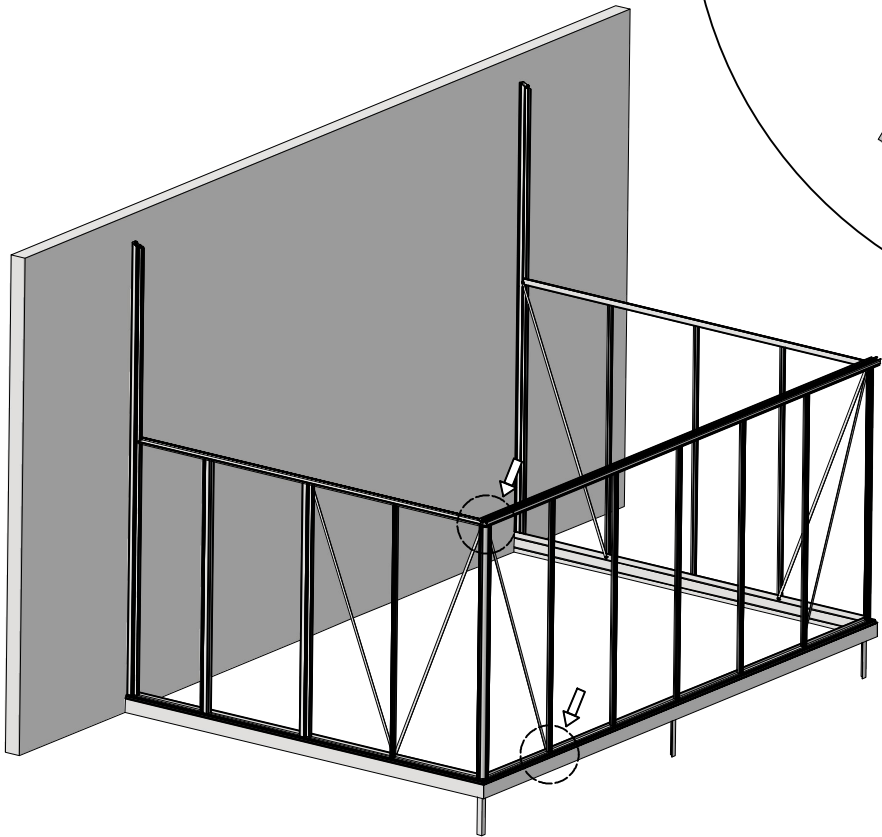



 = M6x12

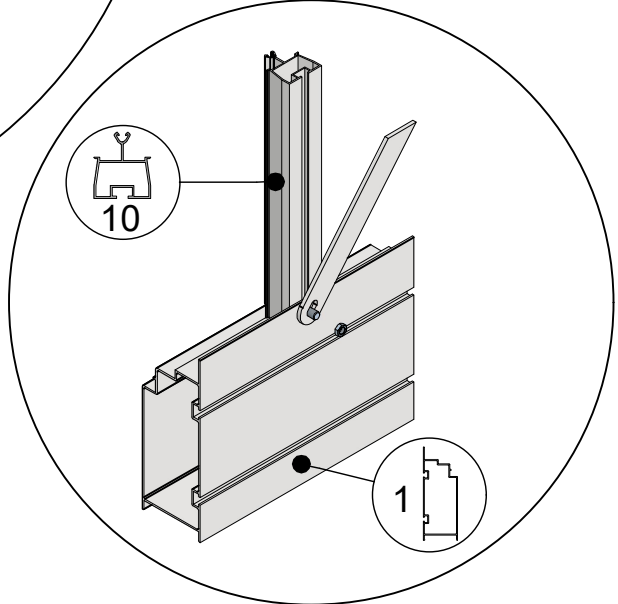



 = M6x12

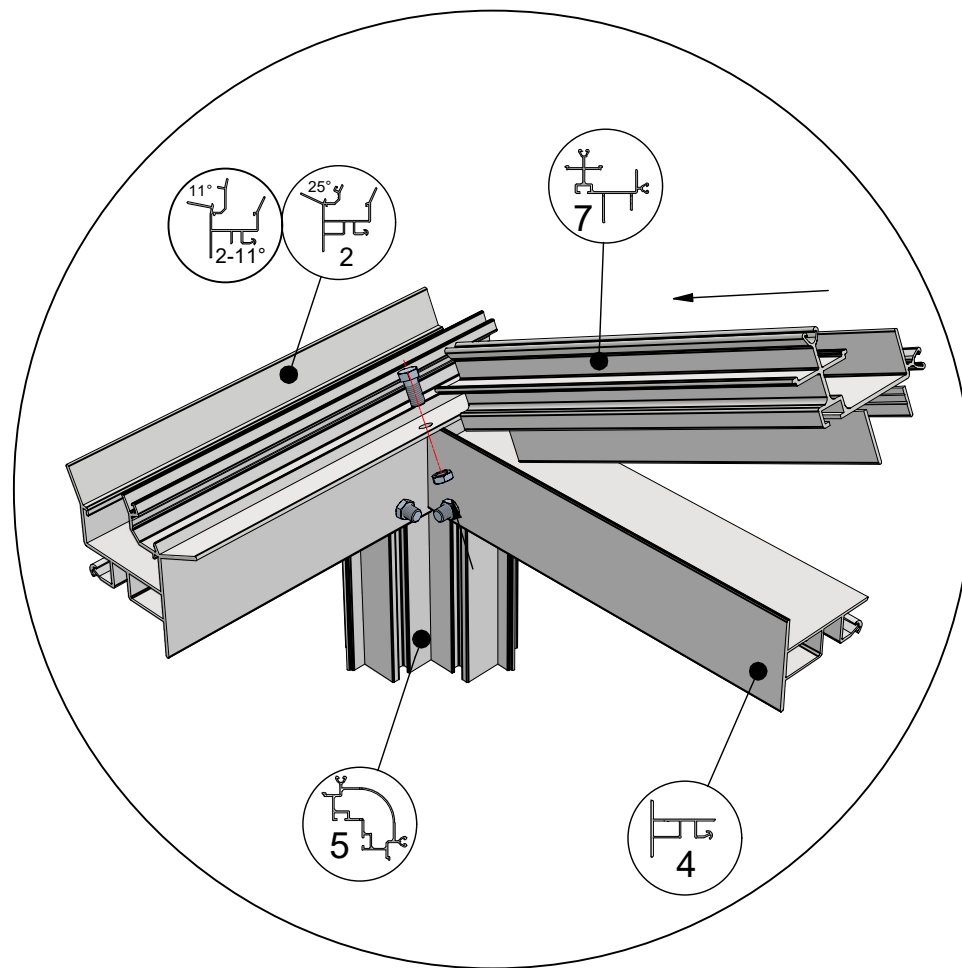
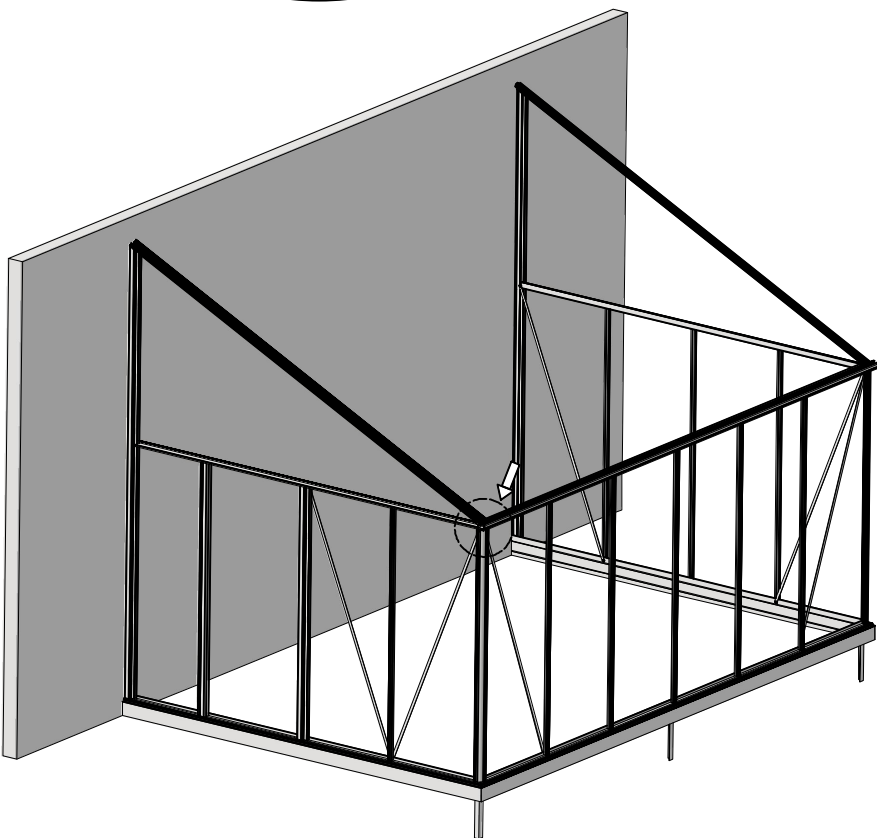
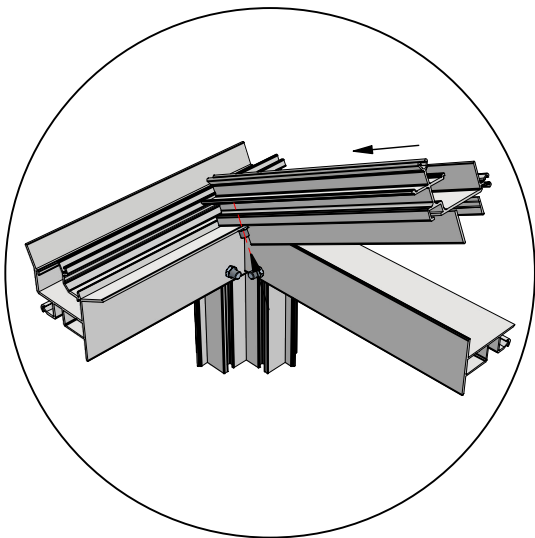


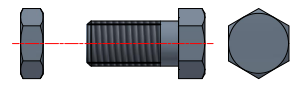


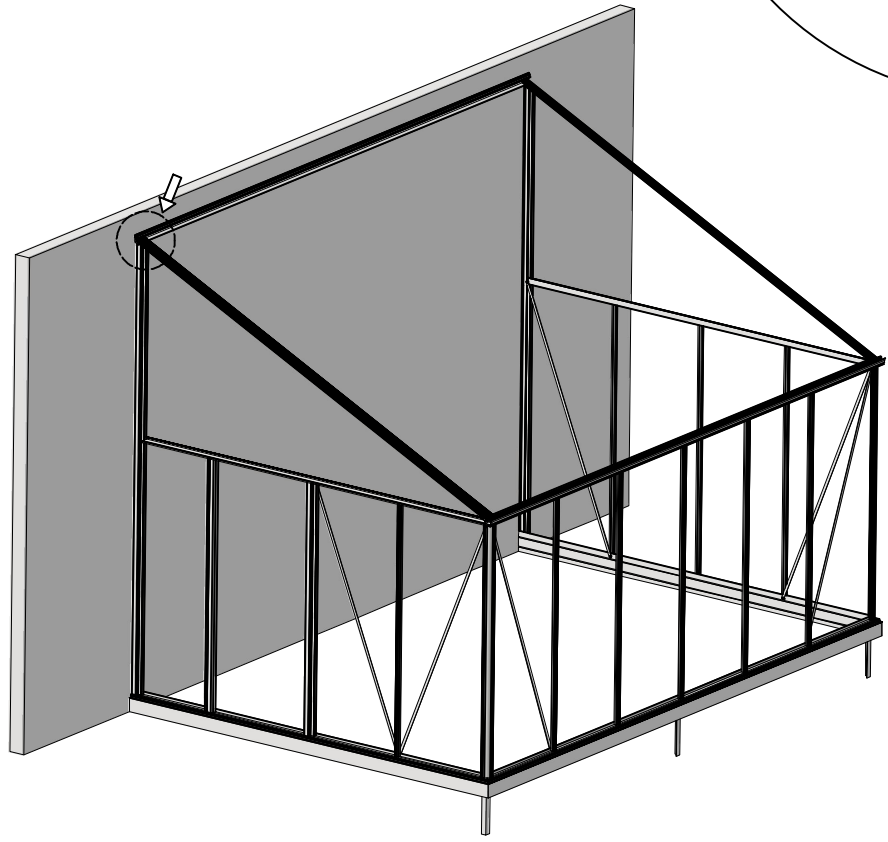
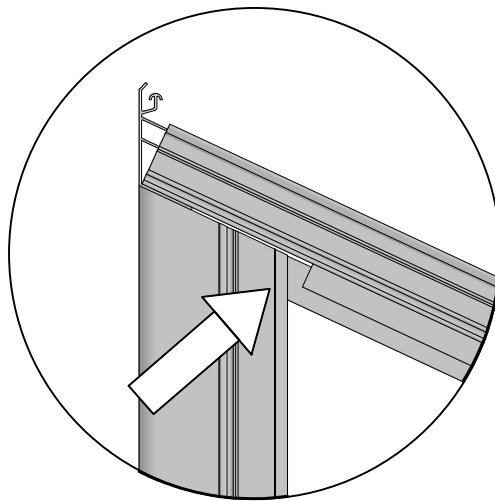
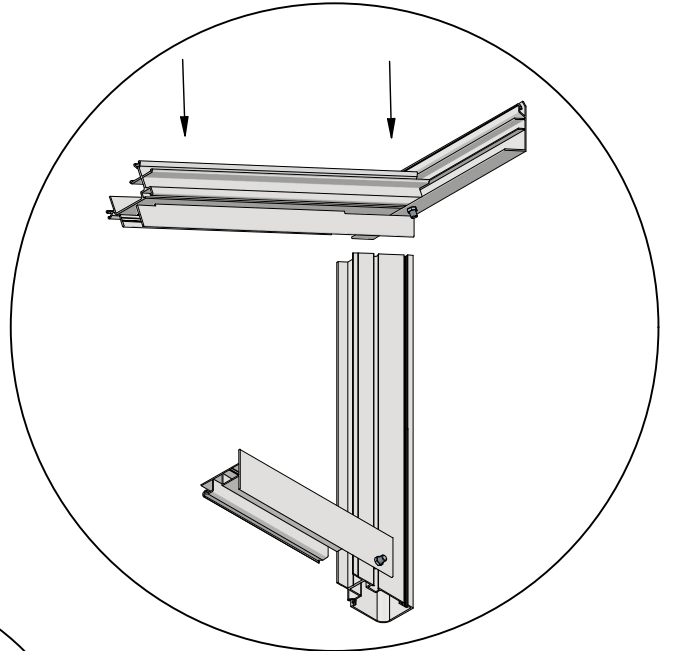
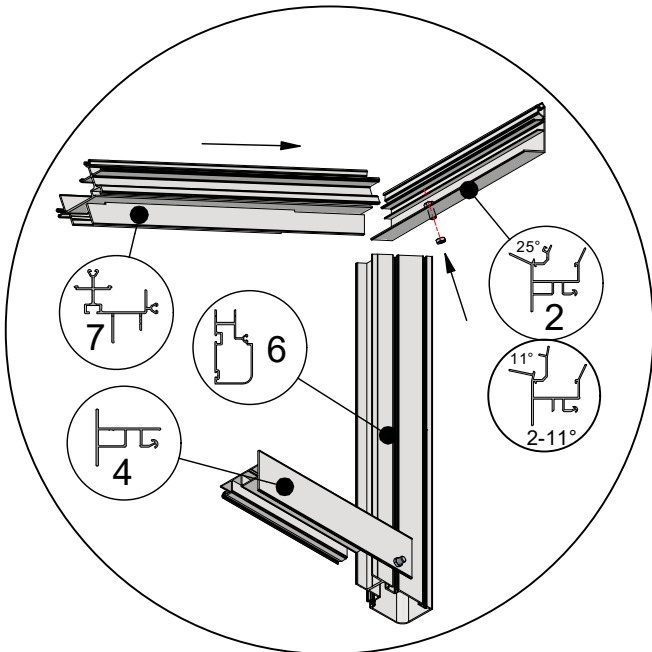
 = M6x12

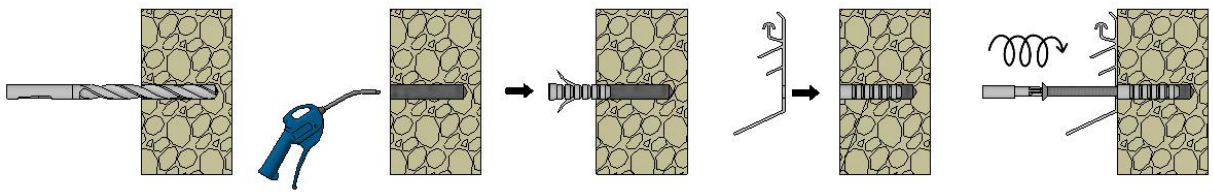


 = M6x12

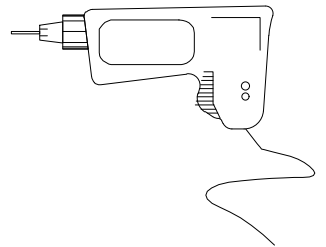


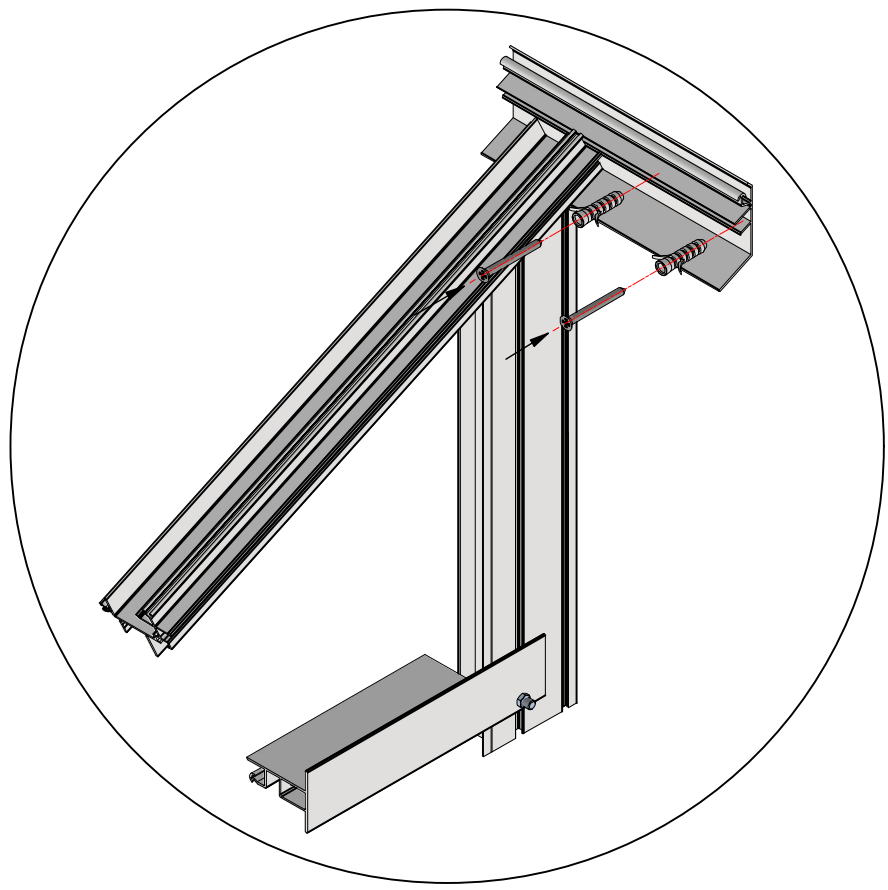
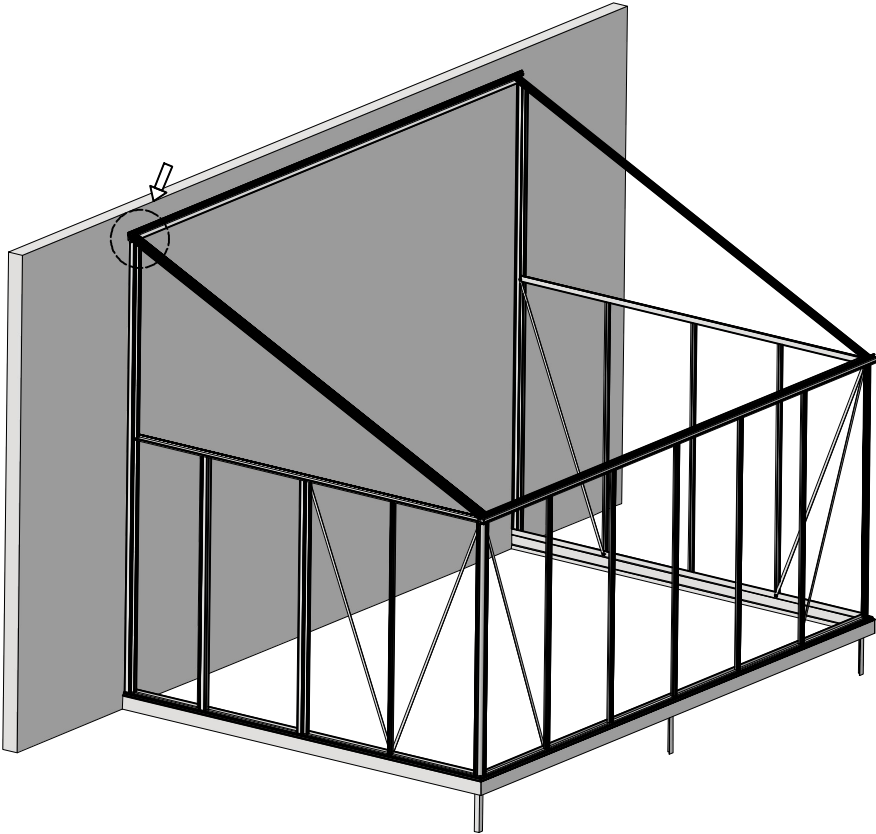
 = M6x12



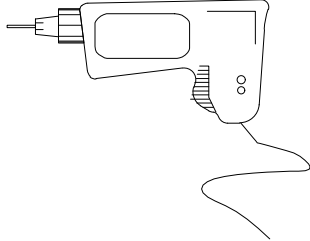


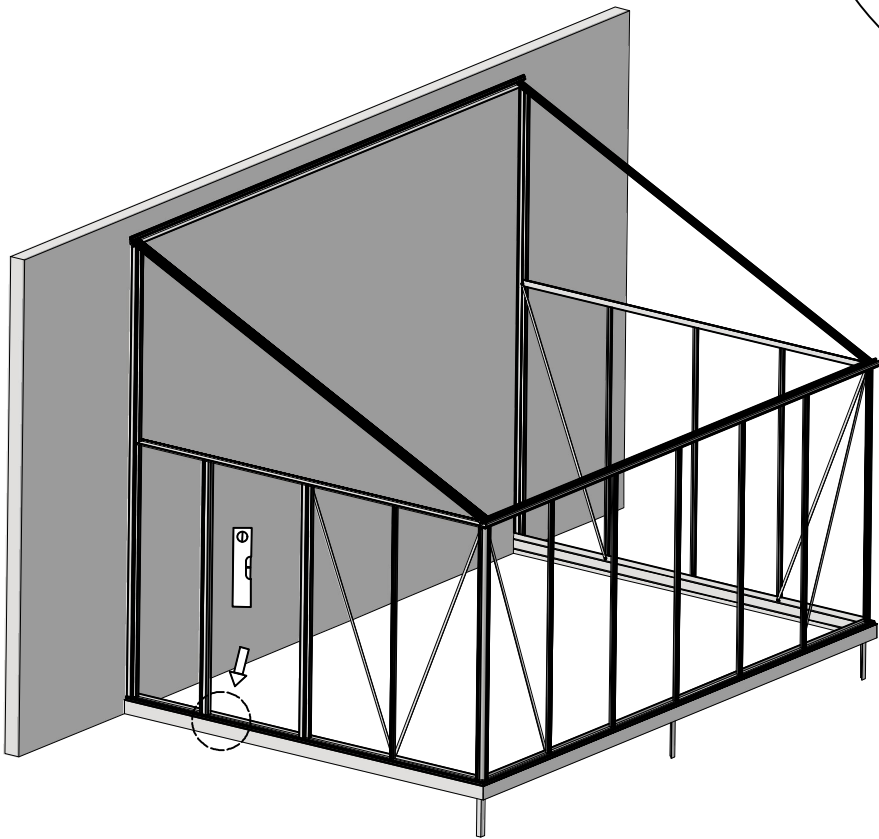
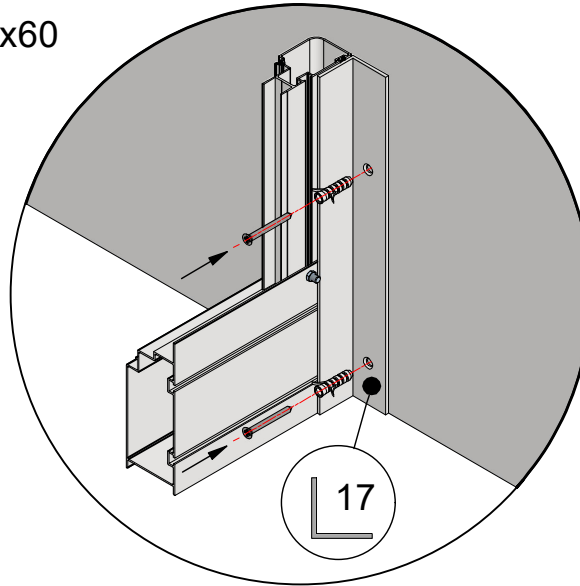
 = 8x40  = M5x60

Ø = 8mm 

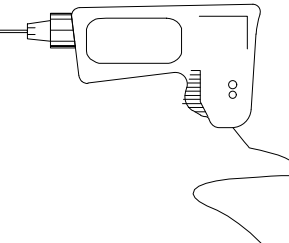


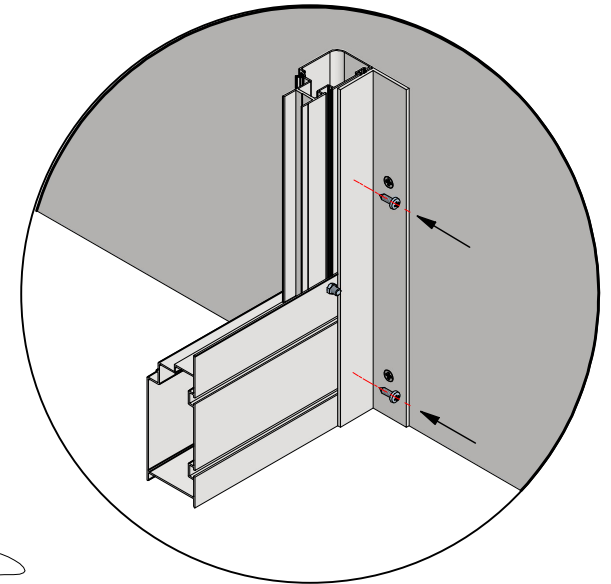
 = 8x40   = M5x60

Ø = 8mm 

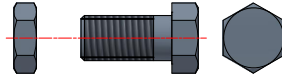


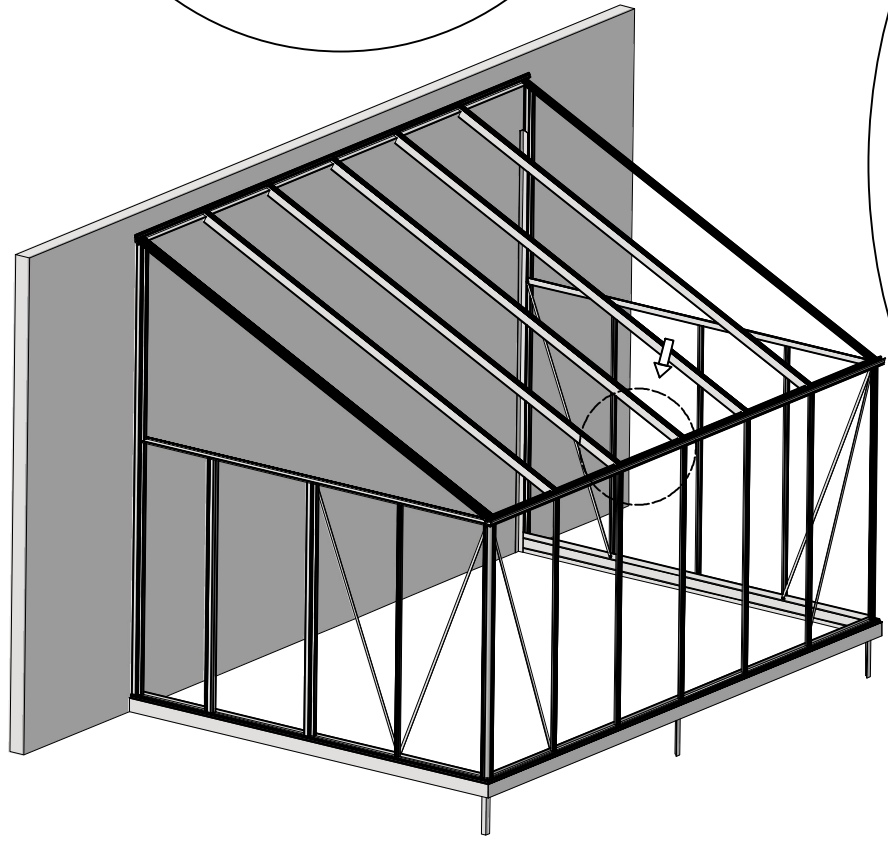
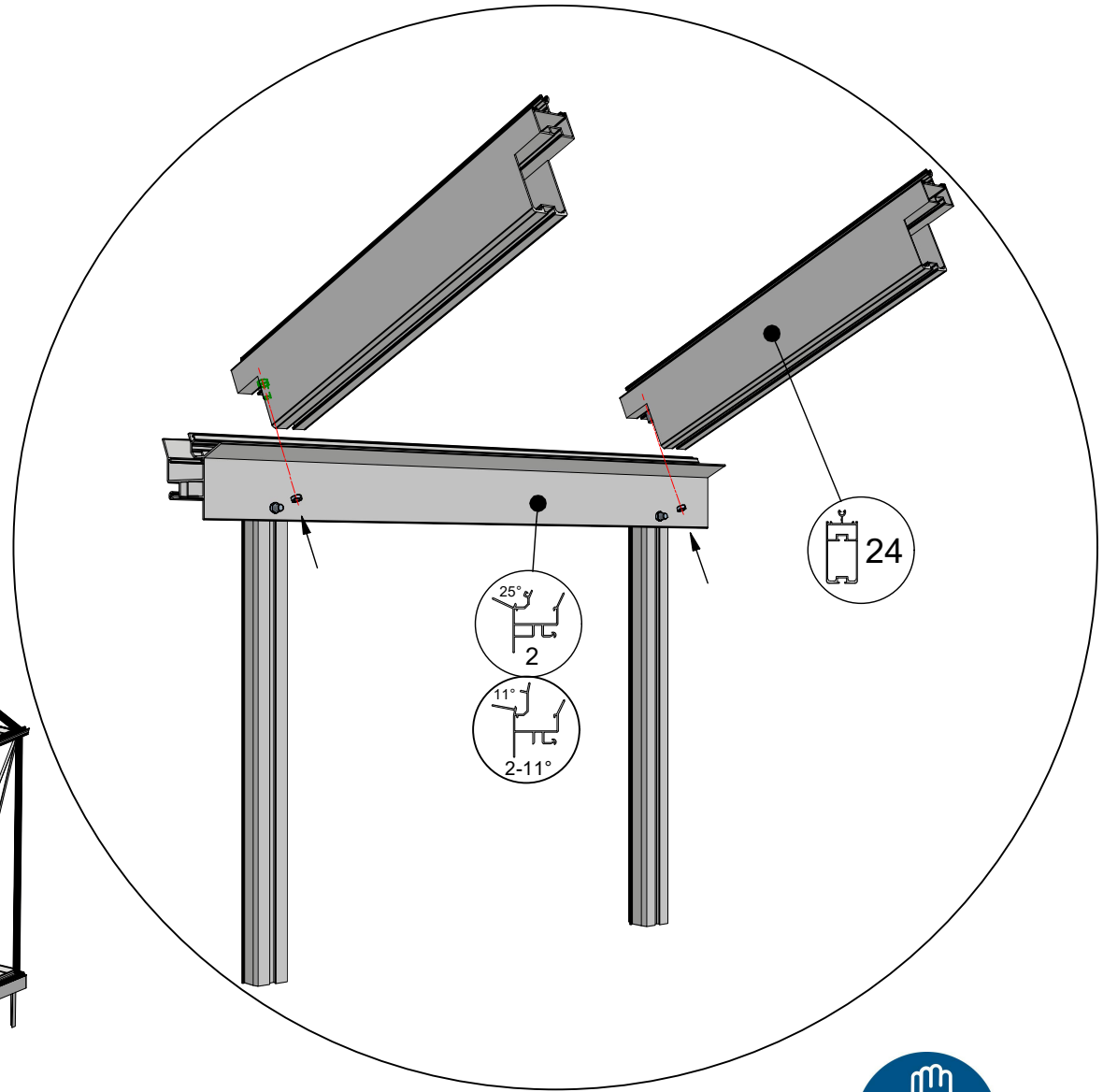
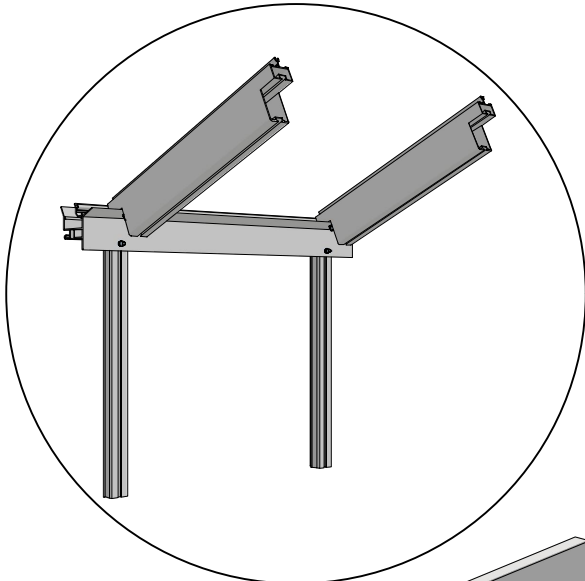
  = 4,8x16

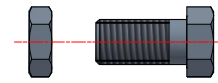
Ø = 4mm 

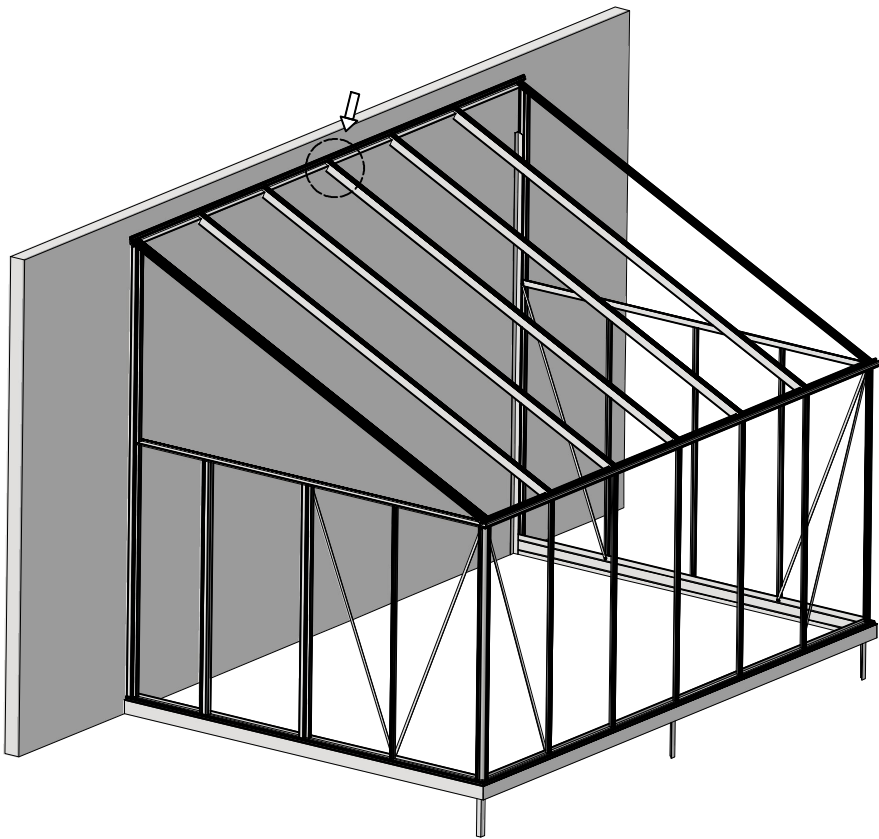
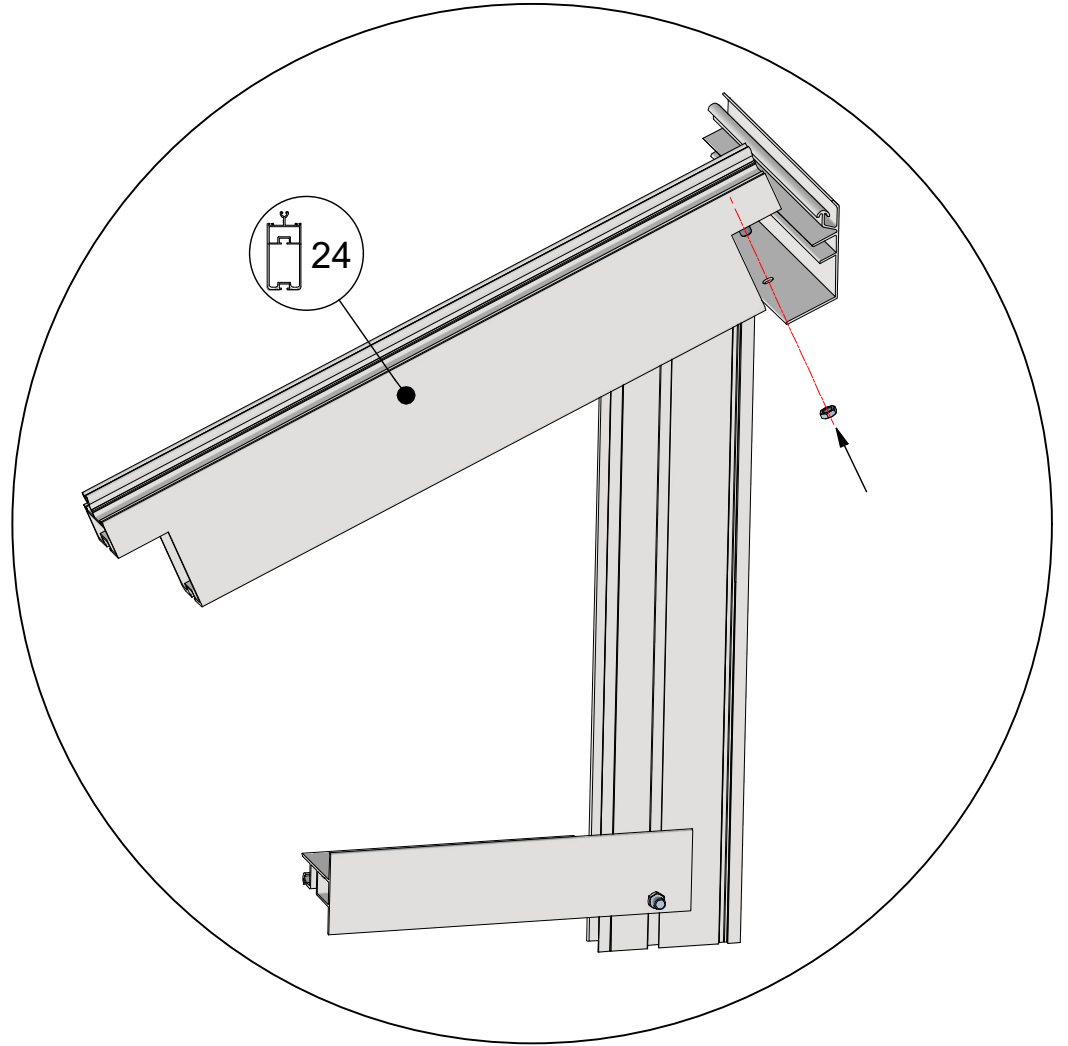
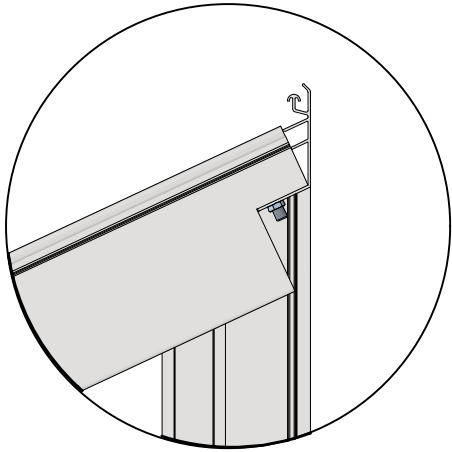


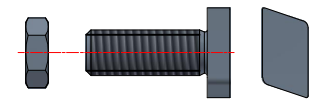
20

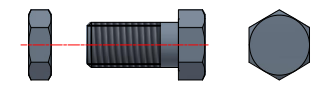
 = M6x12

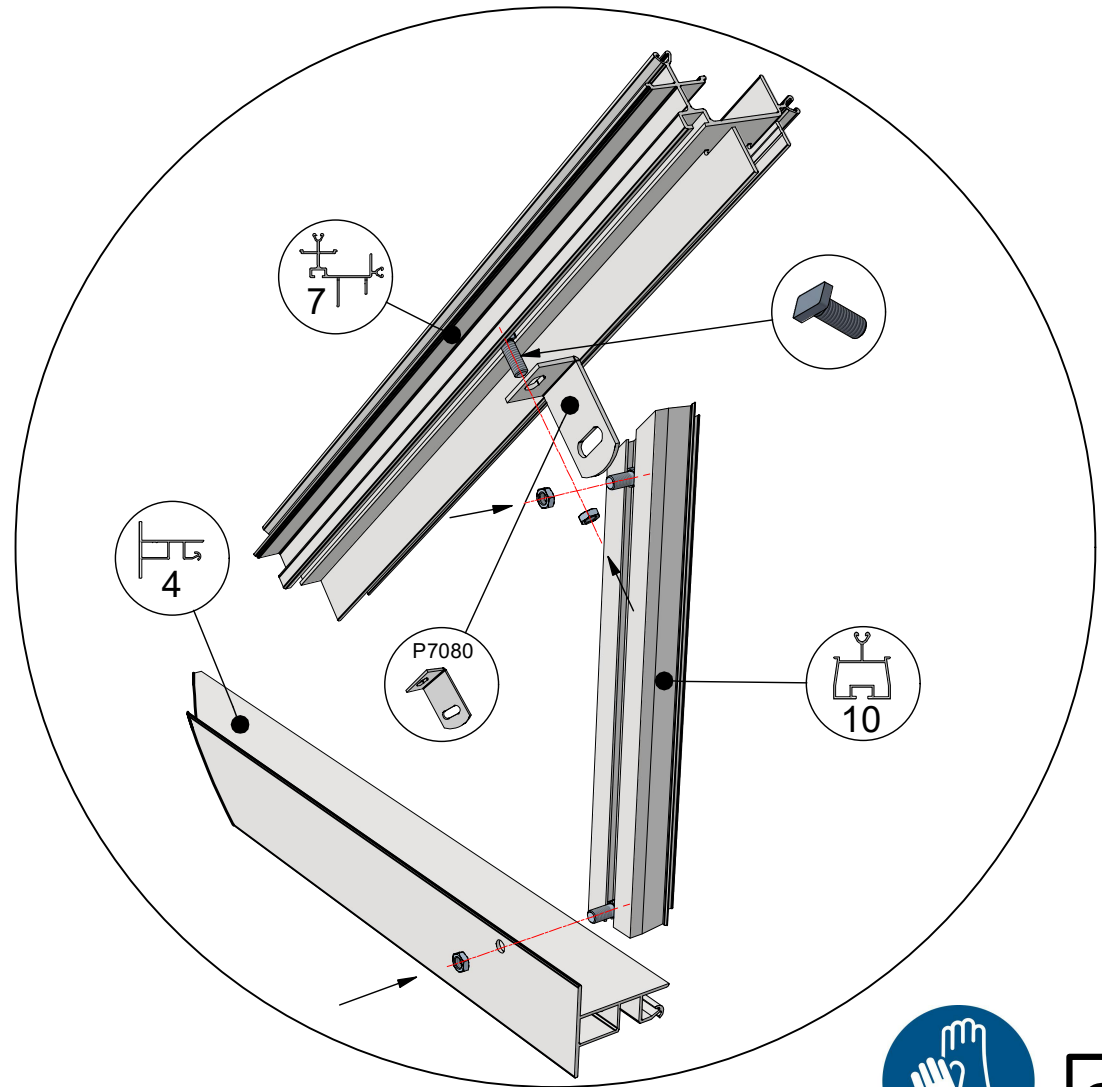
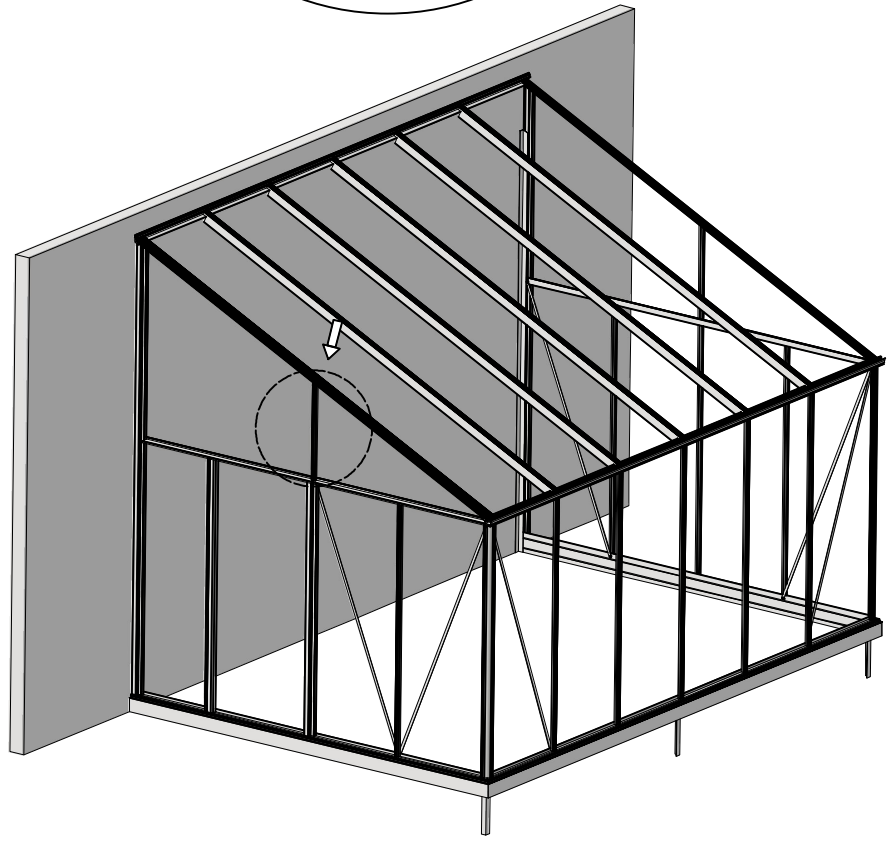
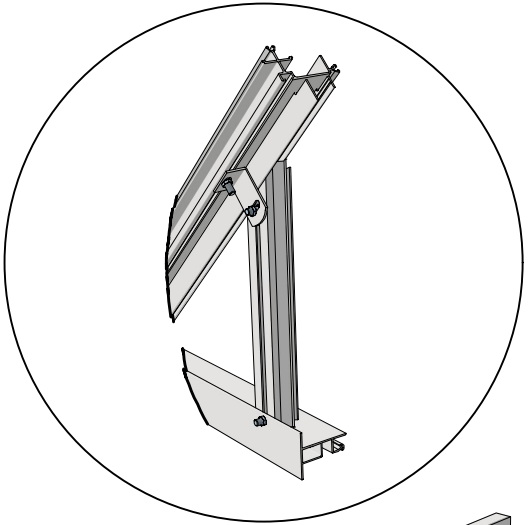


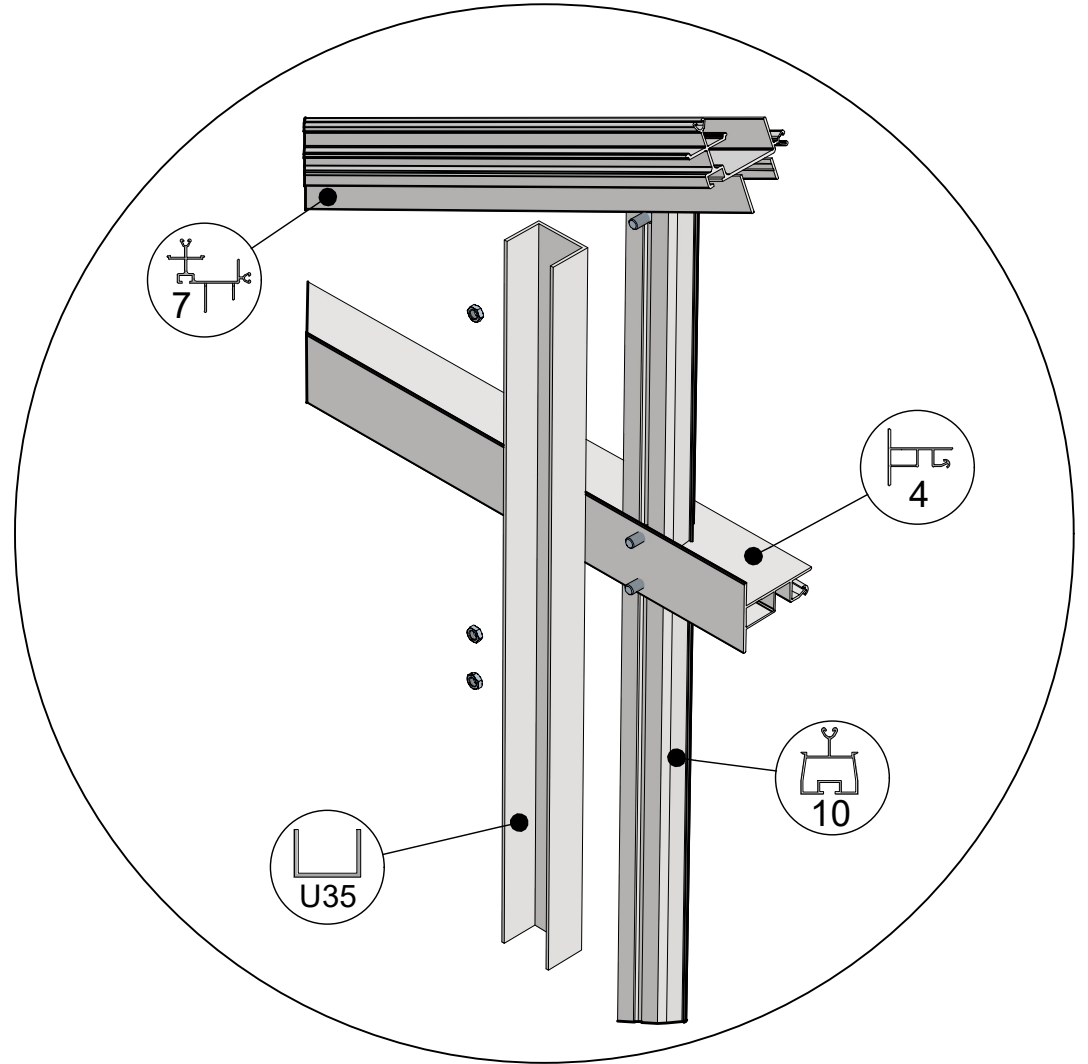
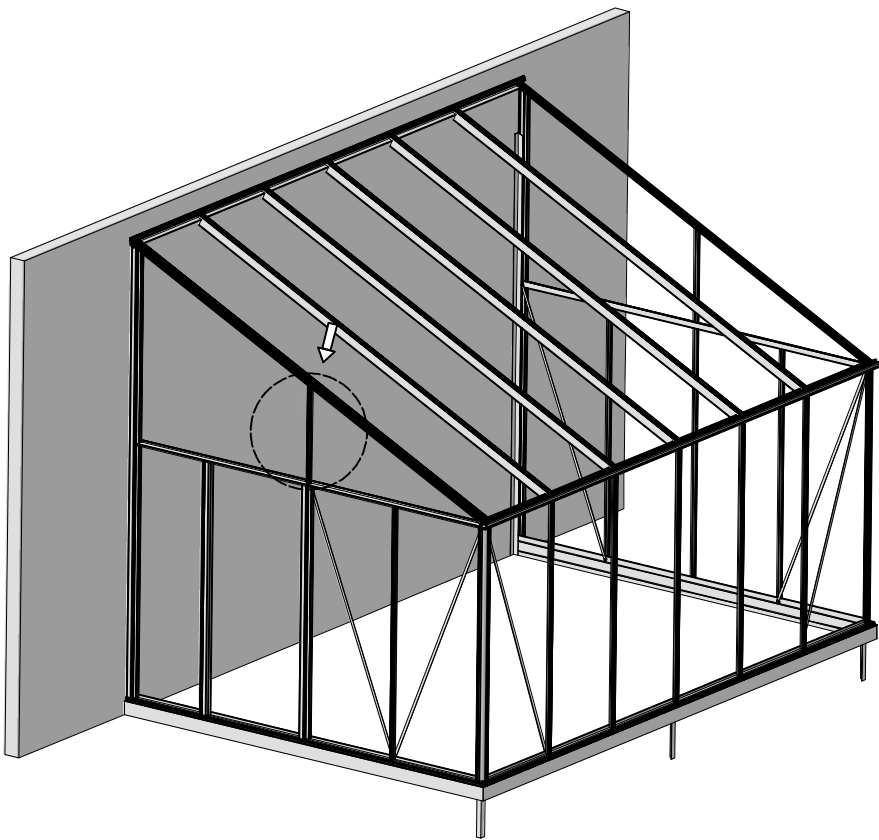
 = M6x12

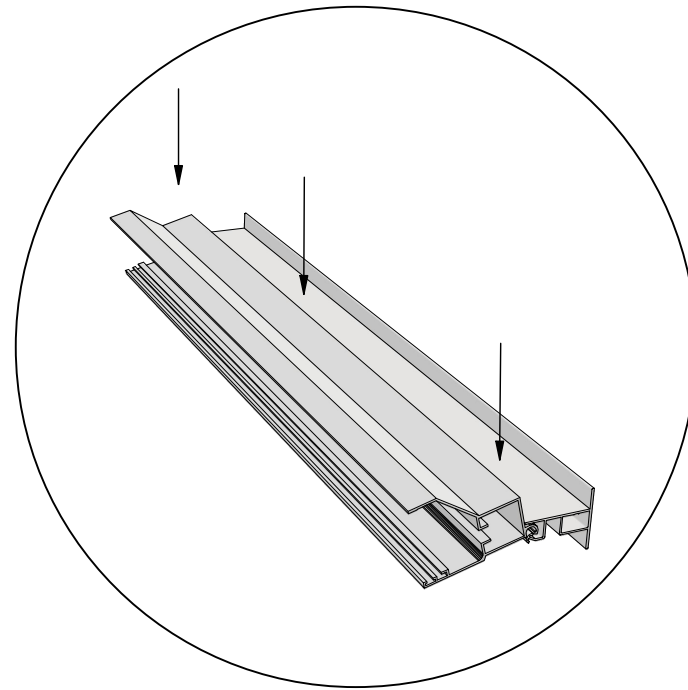
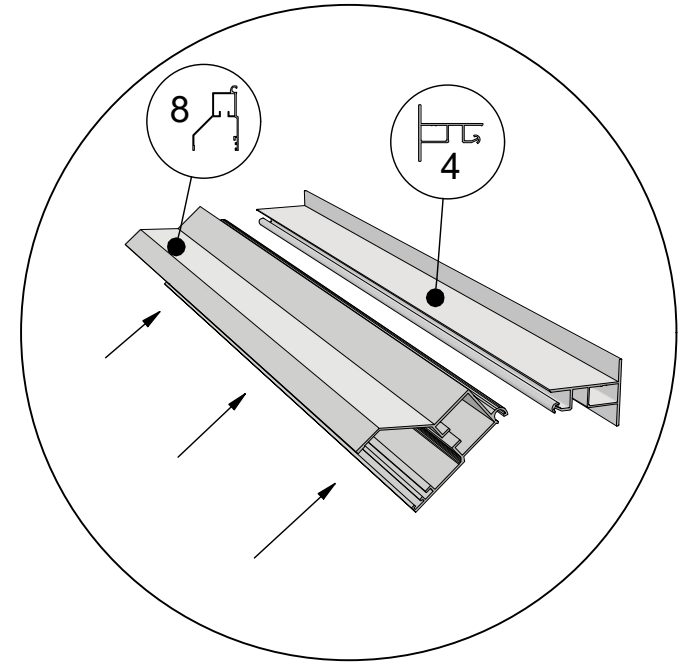
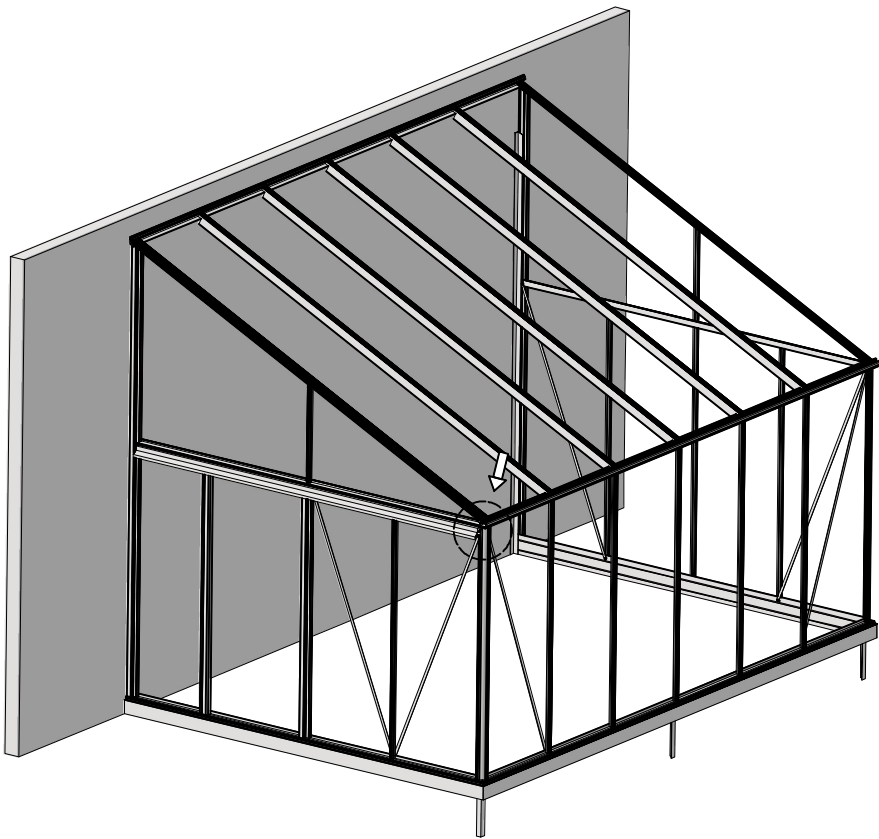


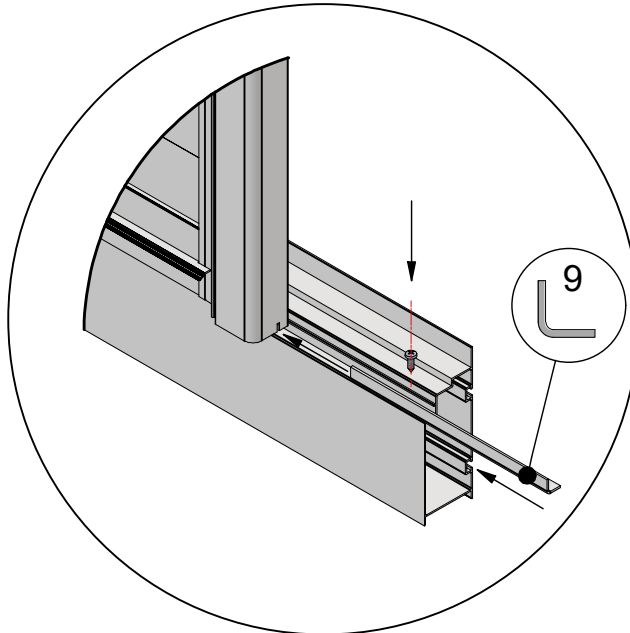
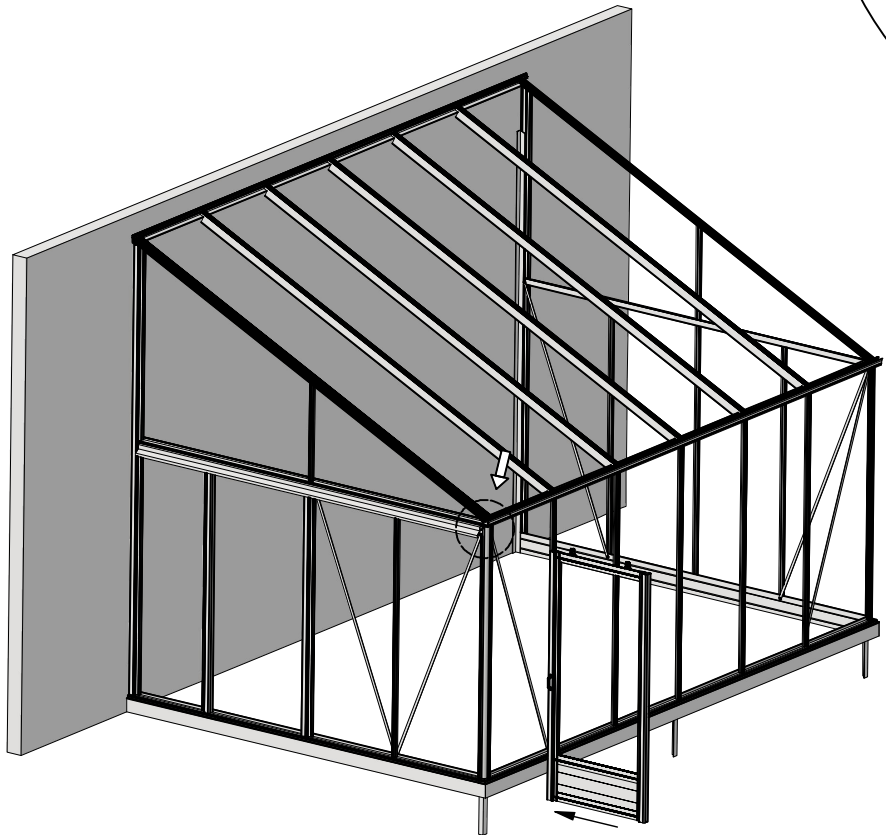
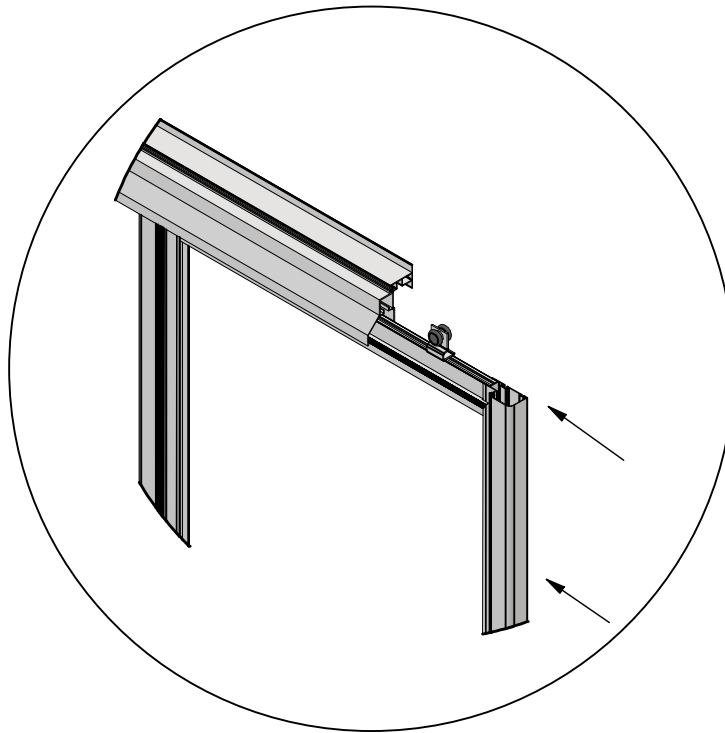
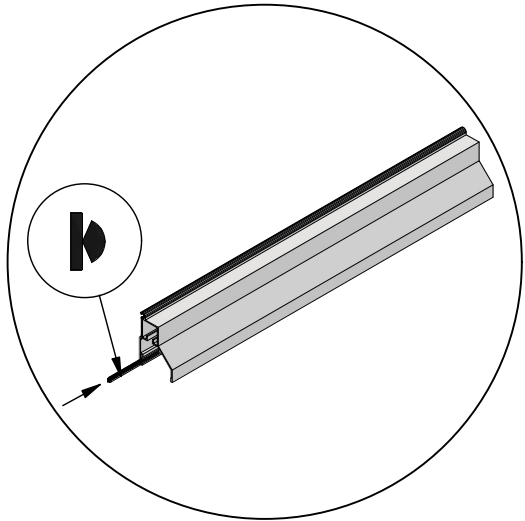
 = M6x16

 = M6x12

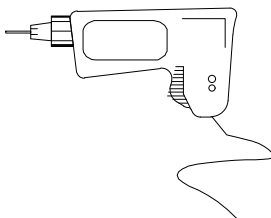








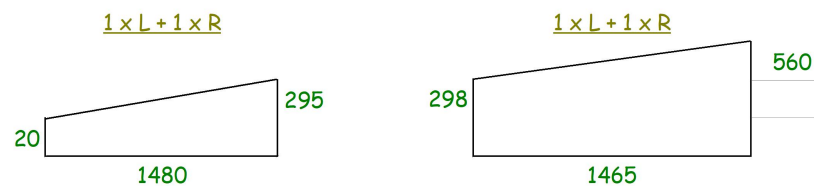
  = 4,8x16

$\varnothing = 4\text{mm}$ 



Glass Dimensions Nv Euro-serre		Muurserre			3,07m	11°	GlassH: 1650			
Glass Size 730mm	Sides		Size Lenght x Wide		Roof	Size Lenght x Wide				
	1650 x 730	1650 x 573	1250 x 730		3073 x 730	2233 x 730	825 x 730		m ²	m ²
Muurserre 3,07m x 3,09m	10	1	1		3	1	1		13,9	9,0
Muurserre 3,07m x 3,80m	11	1	1		3	2	2		15,1	11,2
Muurserre 3,07m x 4,57m	12	1	1		4	2	2		16,3	13,4
Muurserre 3,07m x 5,30m	13	1	1		4	3	3		17,5	15,7
Muurserre 3,07m x 6,04m	14	1	1		5	3	3		18,7	17,9
Muurserre 3,07m x 6,77m	15	1	1		6	3	3		19,9	20,2
Muurserre 3,07m x 7,53m	16	1	1		6	4	4		21,1	22,4
Muurserre 3,07m x 8,30m	17	1	1		7	4	4		22,3	24,6
Muurserre 3,07m x 9,02m	18	1	1		7	5	5		23,5	26,9

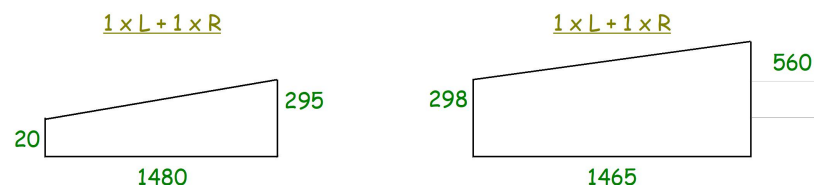
Points



2,51 m²

Glass Dimensions Nv Euro-serre		Muurserre			3,07m	11°	GlassH: 1850			
Glass Size 730mm	Sides		Size Lenght x Wide		Roof	Size Lenght x Wide				
	1850 x 730	1850 x 573	1450 x 730		3073 x 730	2233 x 730	825 x 730		m ²	m ²
Muurserre 3,07m x 3,09m	10	1	1		3	1	1		15,6	9,0
Muurserre 3,07m x 3,80m	11	1	1		3	2	2		17,0	11,2
Muurserre 3,07m x 4,57m	12	1	1		4	2	2		18,3	13,4
Muurserre 3,07m x 5,30m	13	1	1		4	3	3		19,7	15,7
Muurserre 3,07m x 6,04m	14	1	1		5	3	3		21,0	17,9
Muurserre 3,07m x 6,77m	15	1	1		6	3	3		22,4	20,2
Muurserre 3,07m x 7,53m	16	1	1		6	4	4		23,7	22,4
Muurserre 3,07m x 8,30m	17	1	1		7	4	4		25,1	24,6
Muurserre 3,07m x 9,02m	18	1	1		7	5	5		26,4	26,9

Points



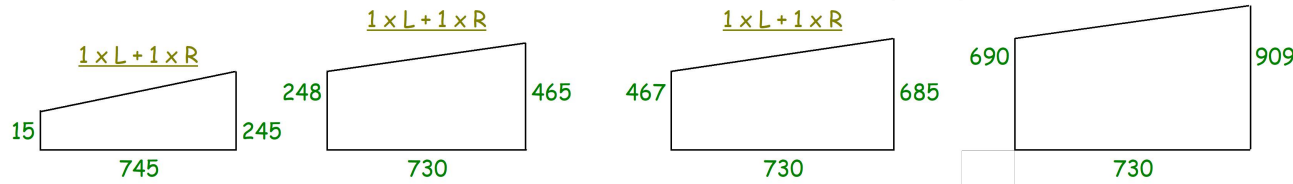
2,51 m²

Opgemaakt op 21-11-2012

Glass Dimensions Nv Euro-serre Muurserre 3,07m 25° GlassH: 1650

Glass Size 730mm	Sides		Size Lenght x Wide		Roof		Size Lenght x Wide		Poly		m ²	m ²
	1650 x 730	1650 x 573	1250 x 730	860 x 730	2308 x 730		825 x 730	3148 x 730	2308 x 730			
Muurserre 3,07m x 3,09m	10	1	1	3	4		1 or 1	3	1	13,9	9,2	
Muurserre 3,07m x 3,80m	11	1	1	3	5		2 or 2	3	2	15,1	11,5	
Muurserre 3,07m x 4,57m	12	1	1	4	6		2 or 2	4	2	16,3	13,8	
Muurserre 3,07m x 5,30m	13	1	1	4	7		3 or 3	4	3	17,5	16,1	
Muurserre 3,07m x 6,04m	14	1	1	5	8		3 or 3	5	3	18,7	18,4	
Muurserre 3,07m x 6,77m	15	1	1	6	9		3 or 3	6	3	19,9	20,7	
Muurserre 3,07m x 7,53m	16	1	1	6	10		4 or 4	6	4	21,1	23,0	
Muurserre 3,07m x 8,30m	17	1	1	7	11		4 or 4	7	4	22,3	25,3	
Muurserre 3,07m x 9,02m	18	1	1	7	12		5 or 5	7	5	23,5	27,6	

Points



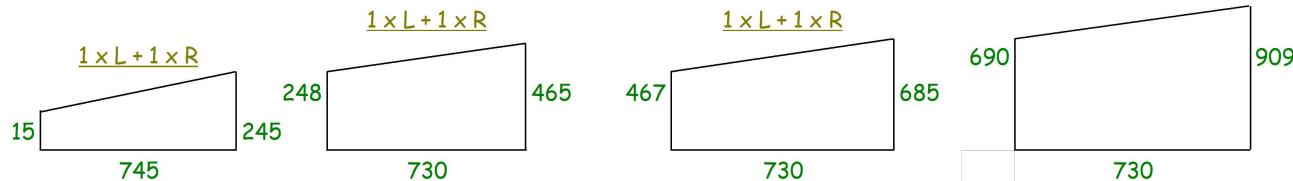
1xL+1xR

3,37 m²

Glass Dimensions Nv Euro-serre Muurserre 3,07m 25° GlassH: 1850

Glass Size 730mm	Sides		Size Lenght x Wide		Roof		Size Lenght x Wide		Poly		m ²	m ²
	1850 x 730	1850 x 573	1450 x 730	860 x 730	2308 x 730		825 x 730	3148 x 730	2308 x 730			
Muurserre 3,07m x 3,09m	10	1	1	3	4		1 or 1	3	1	15,6	9,2	
Muurserre 3,07m x 3,80m	11	1	1	3	5		2 or 2	3	2	17,0	11,5	
Muurserre 3,07m x 4,57m	12	1	1	4	6		2 or 2	4	2	18,3	13,8	
Muurserre 3,07m x 5,30m	13	1	1	4	7		3 or 3	4	3	19,7	16,1	
Muurserre 3,07m x 6,04m	14	1	1	5	8		3 or 3	5	3	21,0	18,4	
Muurserre 3,07m x 6,77m	15	1	1	6	9		3 or 3	6	3	22,4	20,7	
Muurserre 3,07m x 7,53m	16	1	1	6	10		4 or 4	6	4	23,7	23,0	
Muurserre 3,07m x 8,30m	17	1	1	7	11		4 or 4	7	4	25,1	25,3	
Muurserre 3,07m x 9,02m	18	1	1	7	12		5 or 5	7	5	26,4	27,6	

Points

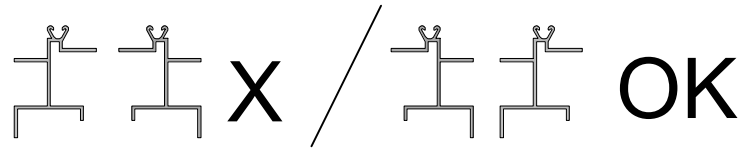
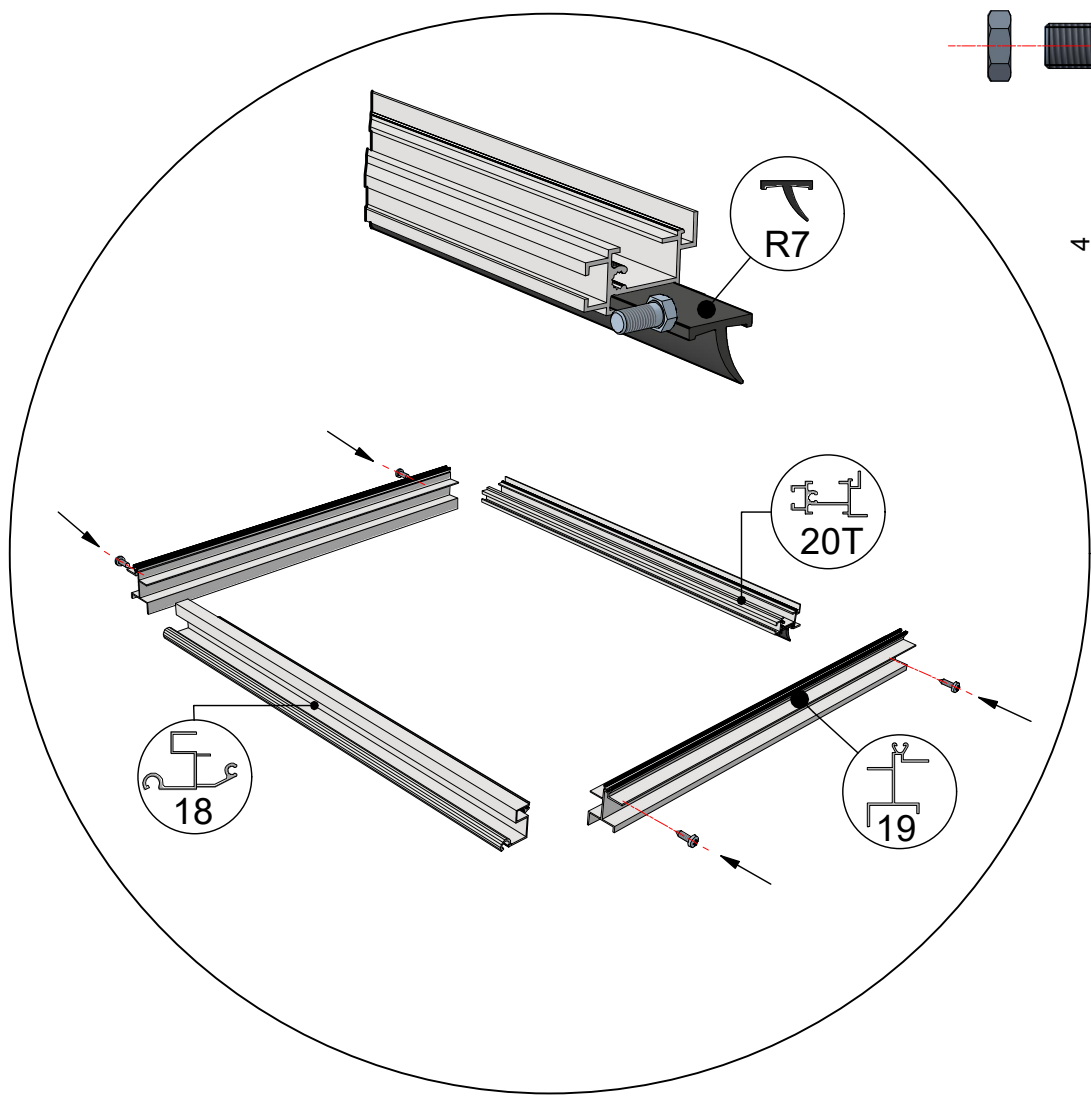
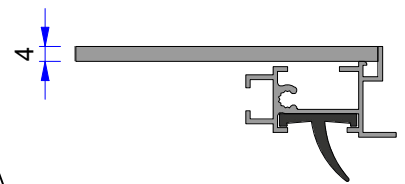
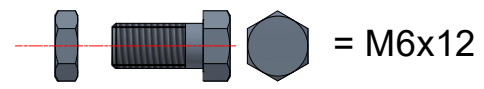
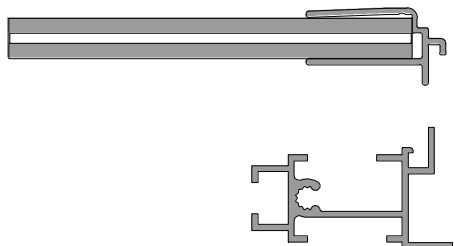


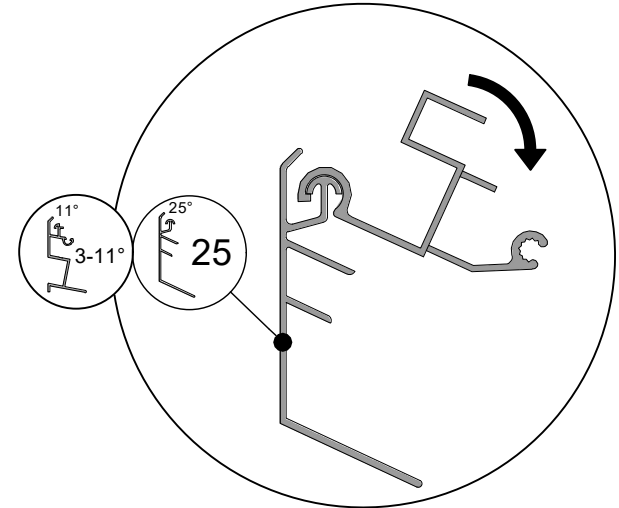
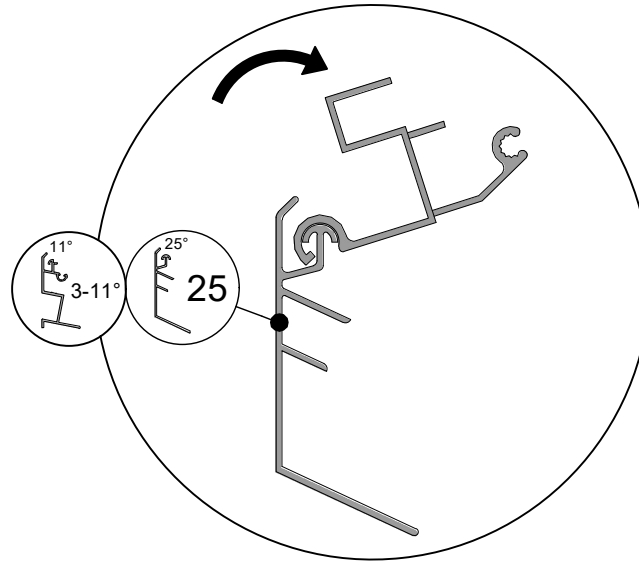
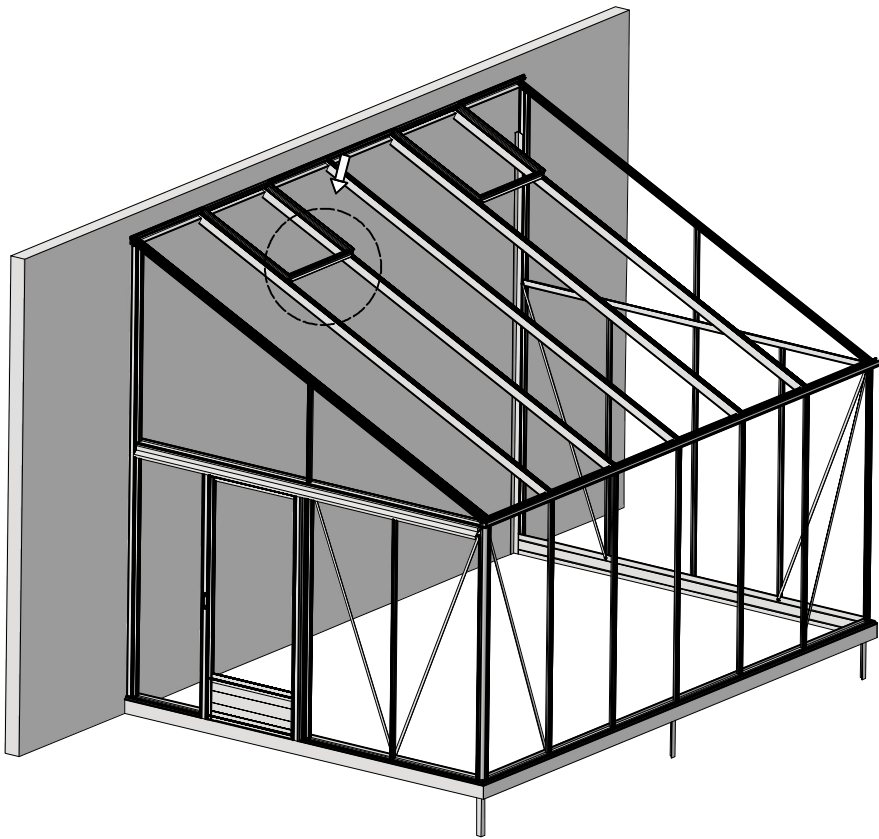
1xL+1xR

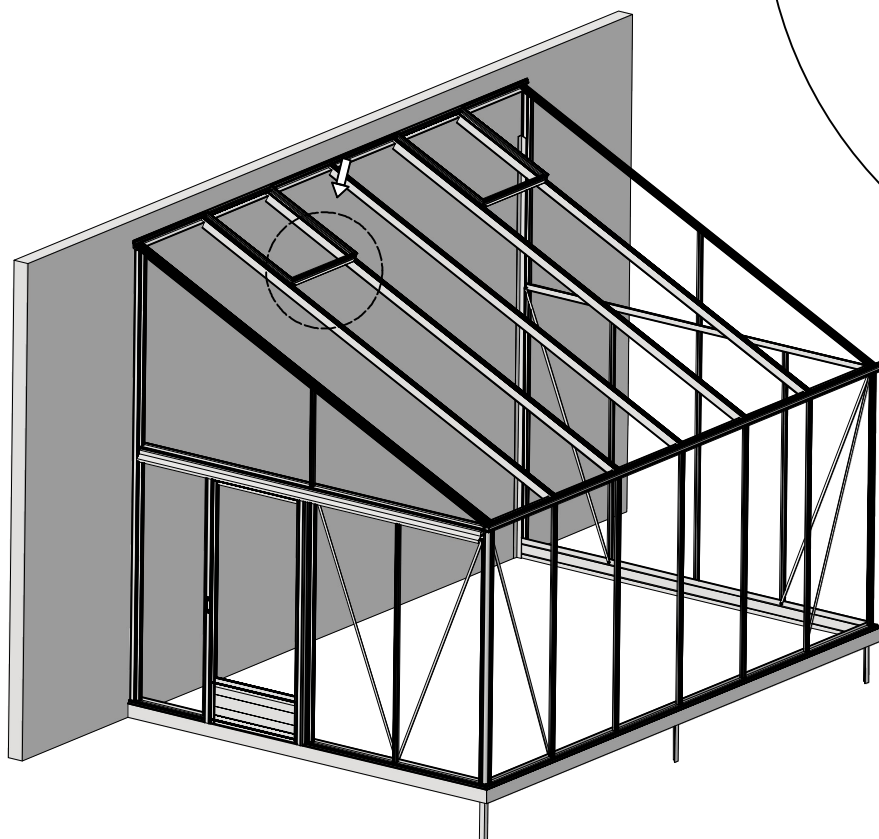
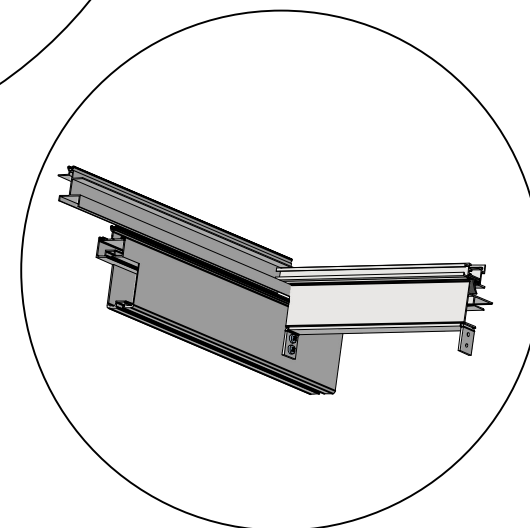
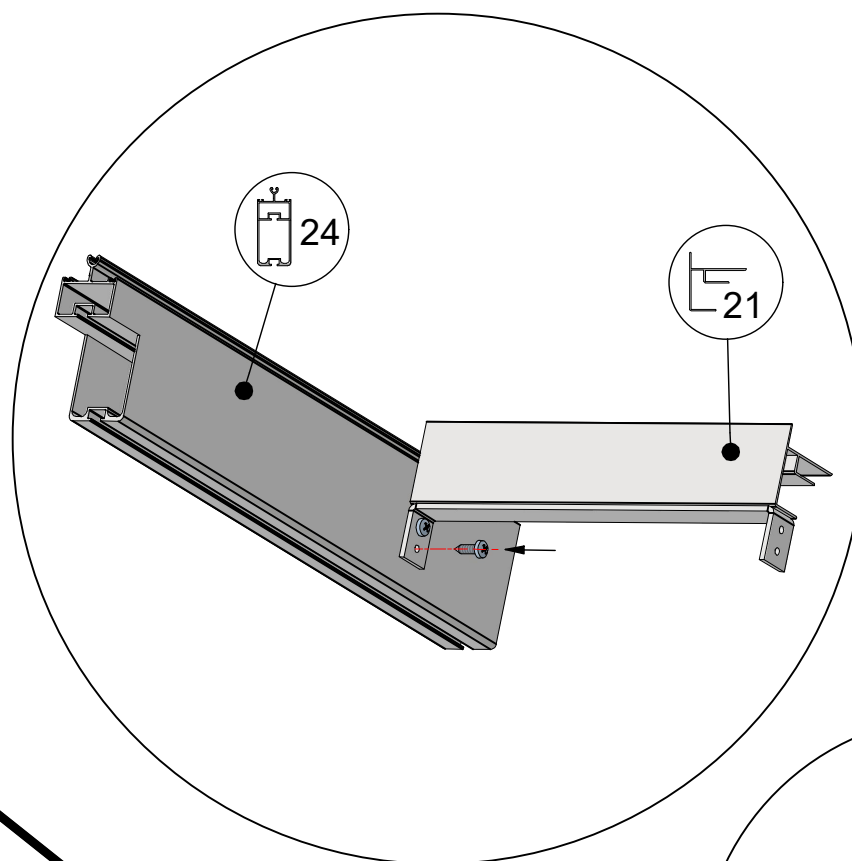
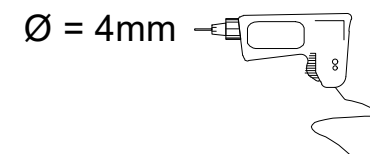
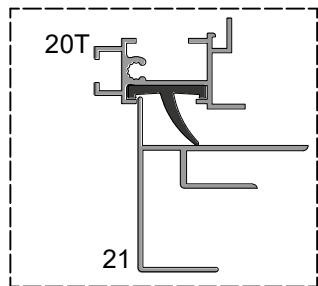
3,37 m²

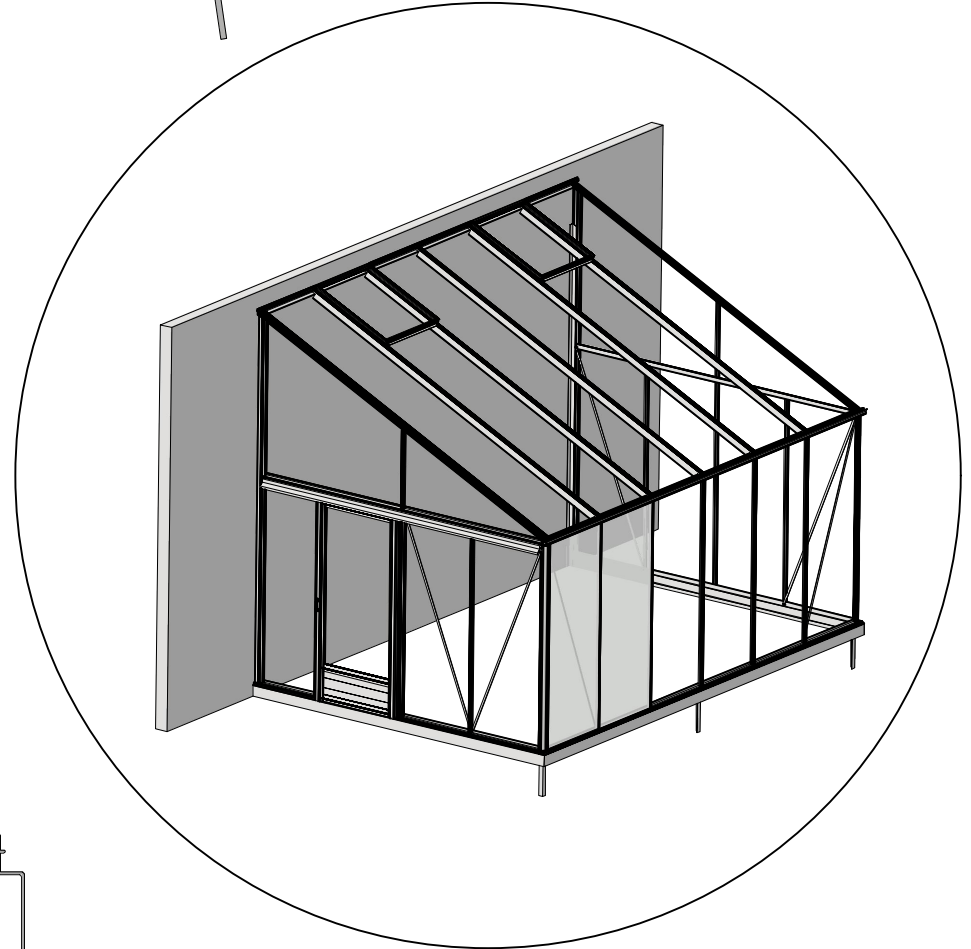
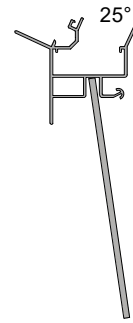
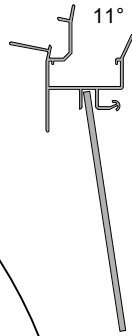
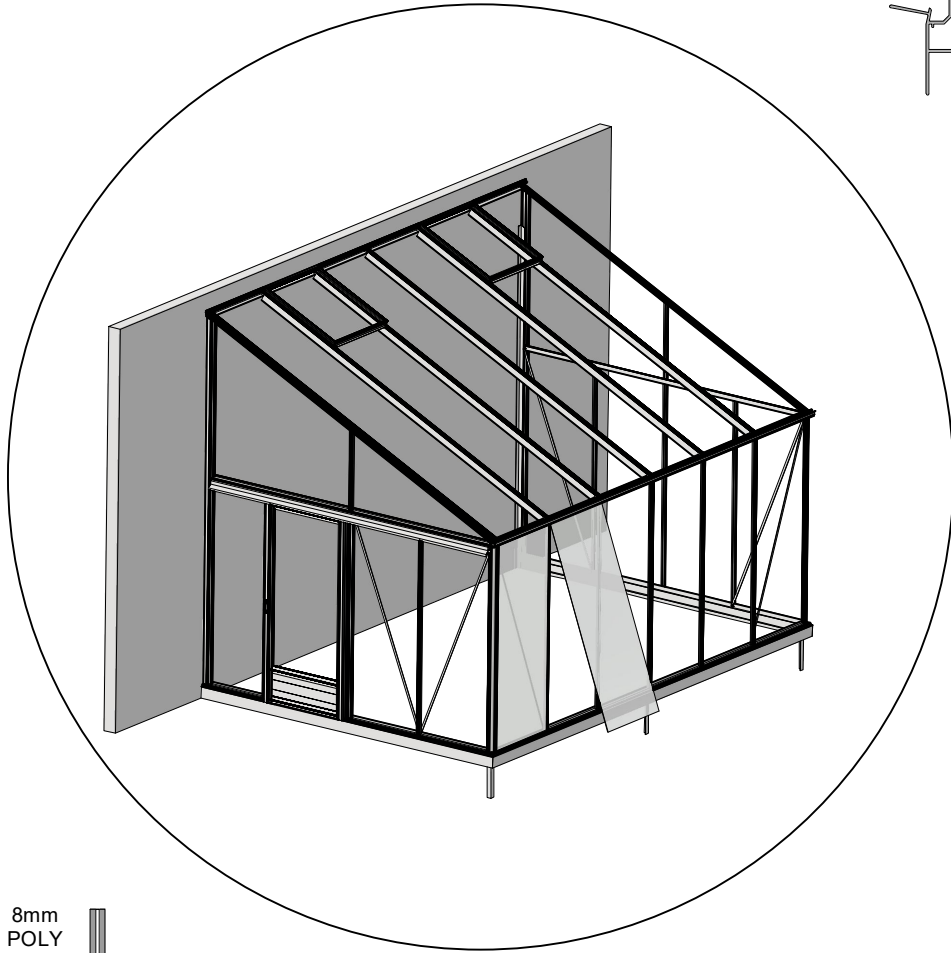
Opgemaakt op 26-10-2022

Poly

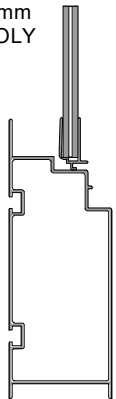




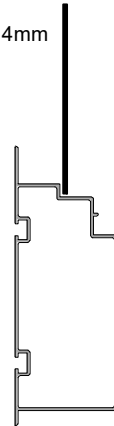


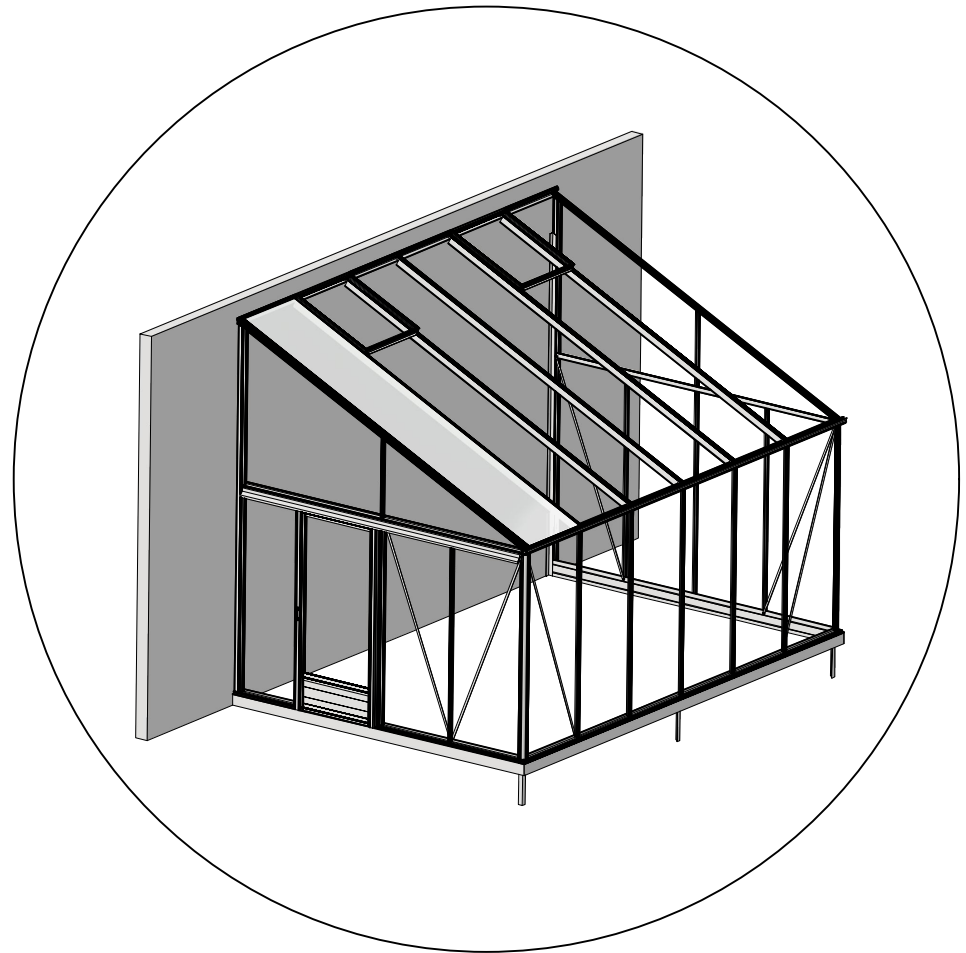
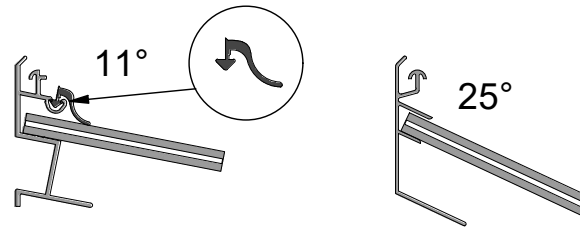
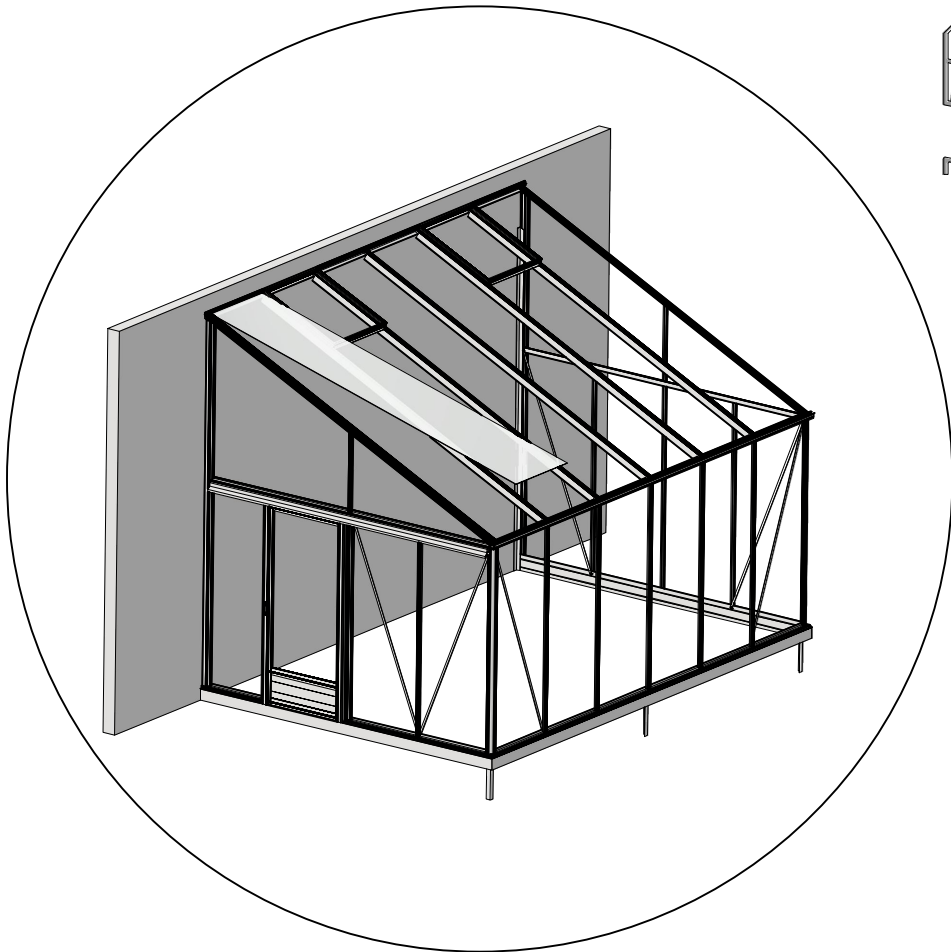


8mm
POLY

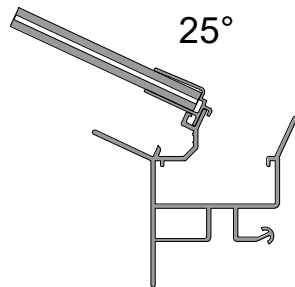
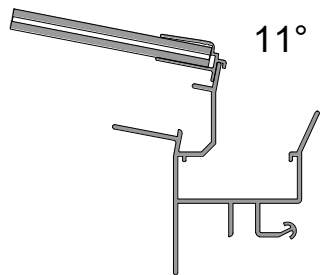


4mm

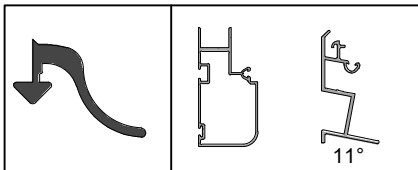
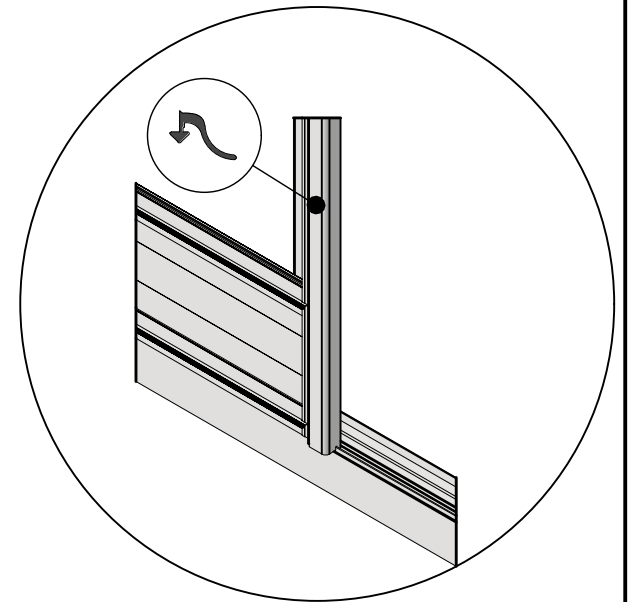
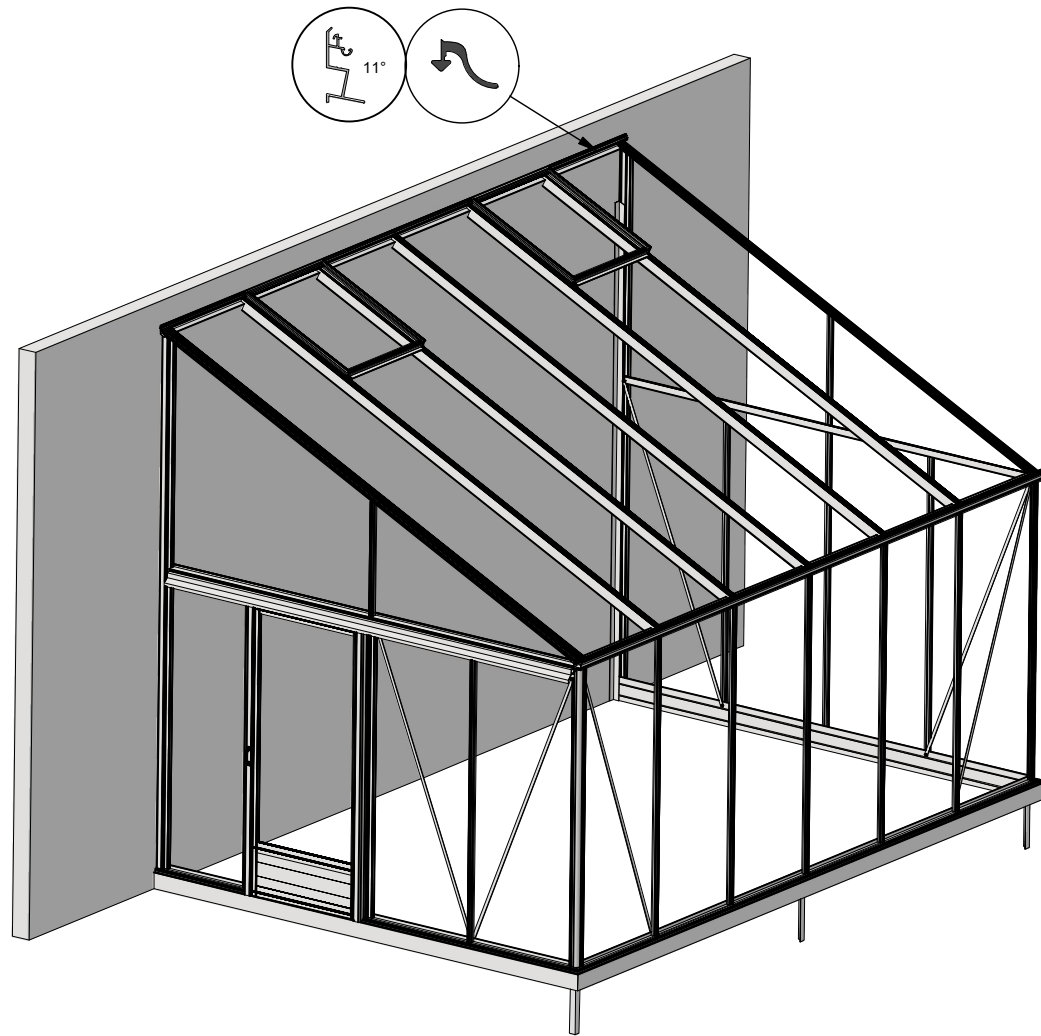


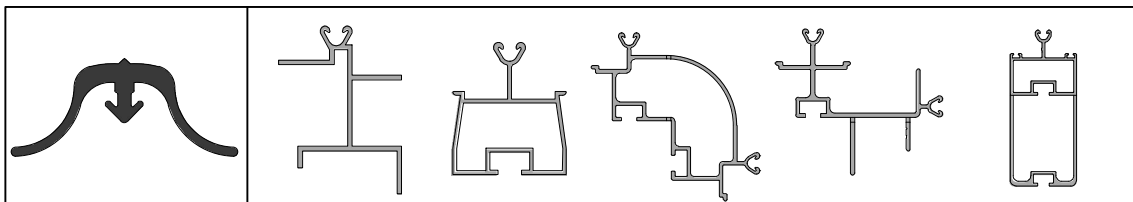
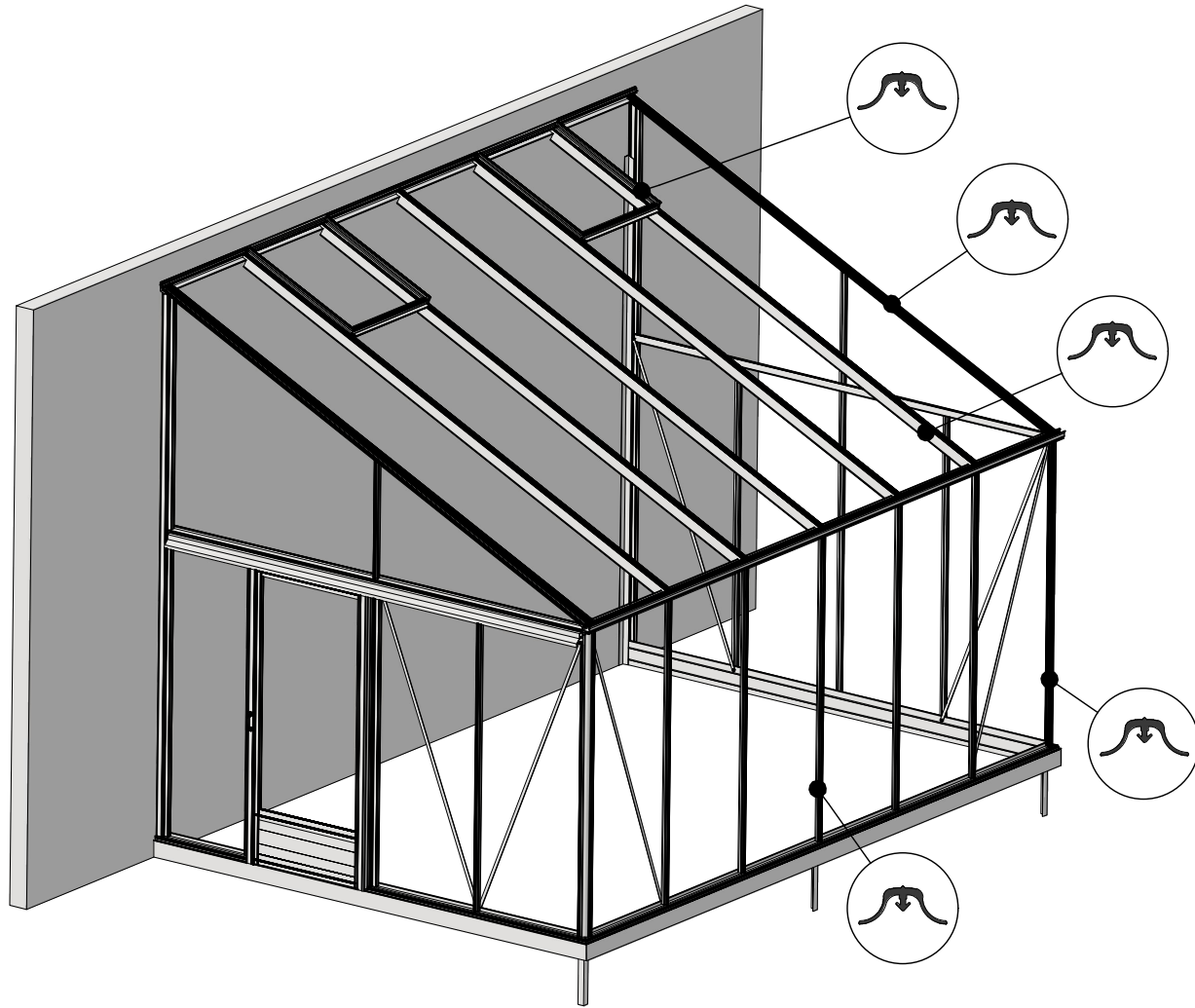


POLY

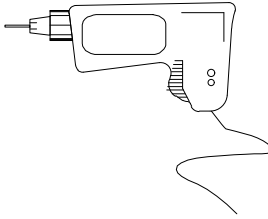


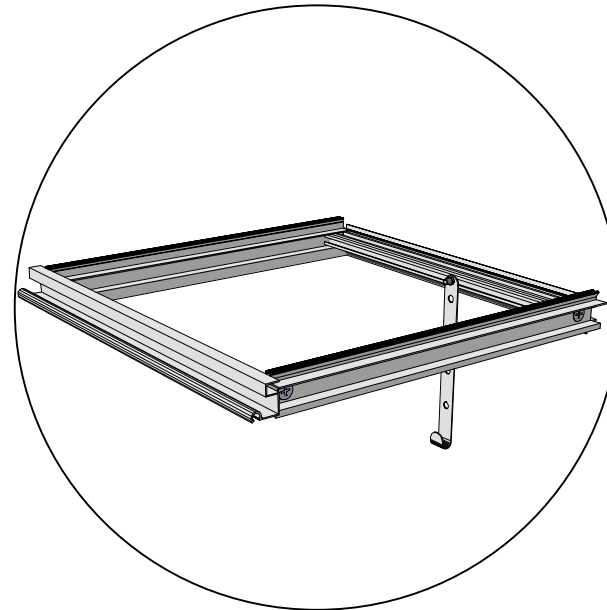
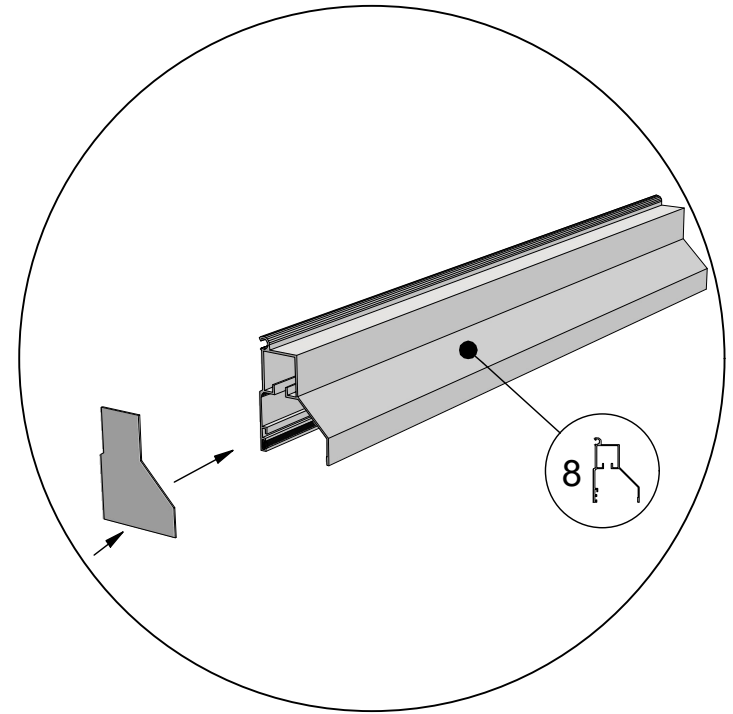
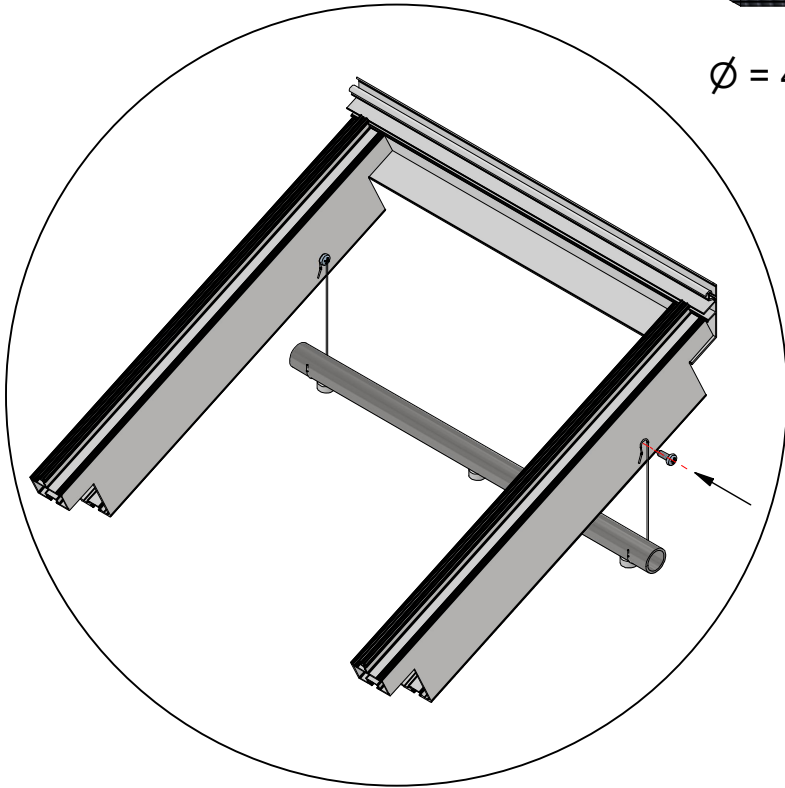


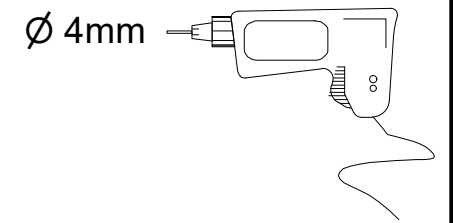
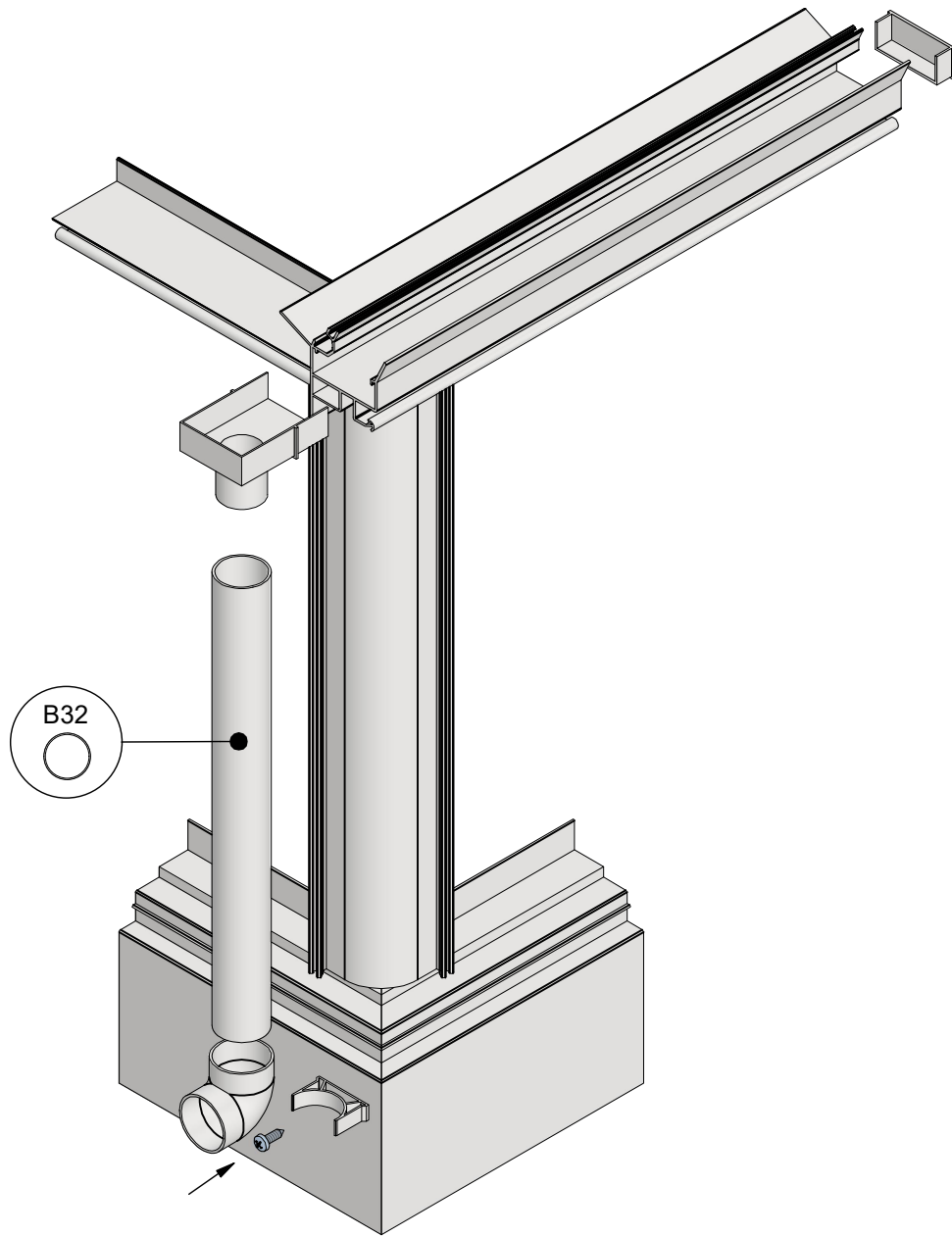




 = 4,8x16

$\varnothing = 4\text{mm}$ 







Geleenlaan 1 - 3600 Genk

ref: Muurserre-001 Rev. 05.10.2023

OCBS - 1148-CPR-20231003-989 CE

EN 1090-1 EXC 1

Euro-Muurserre

www.euroserre.com/cecertificaten