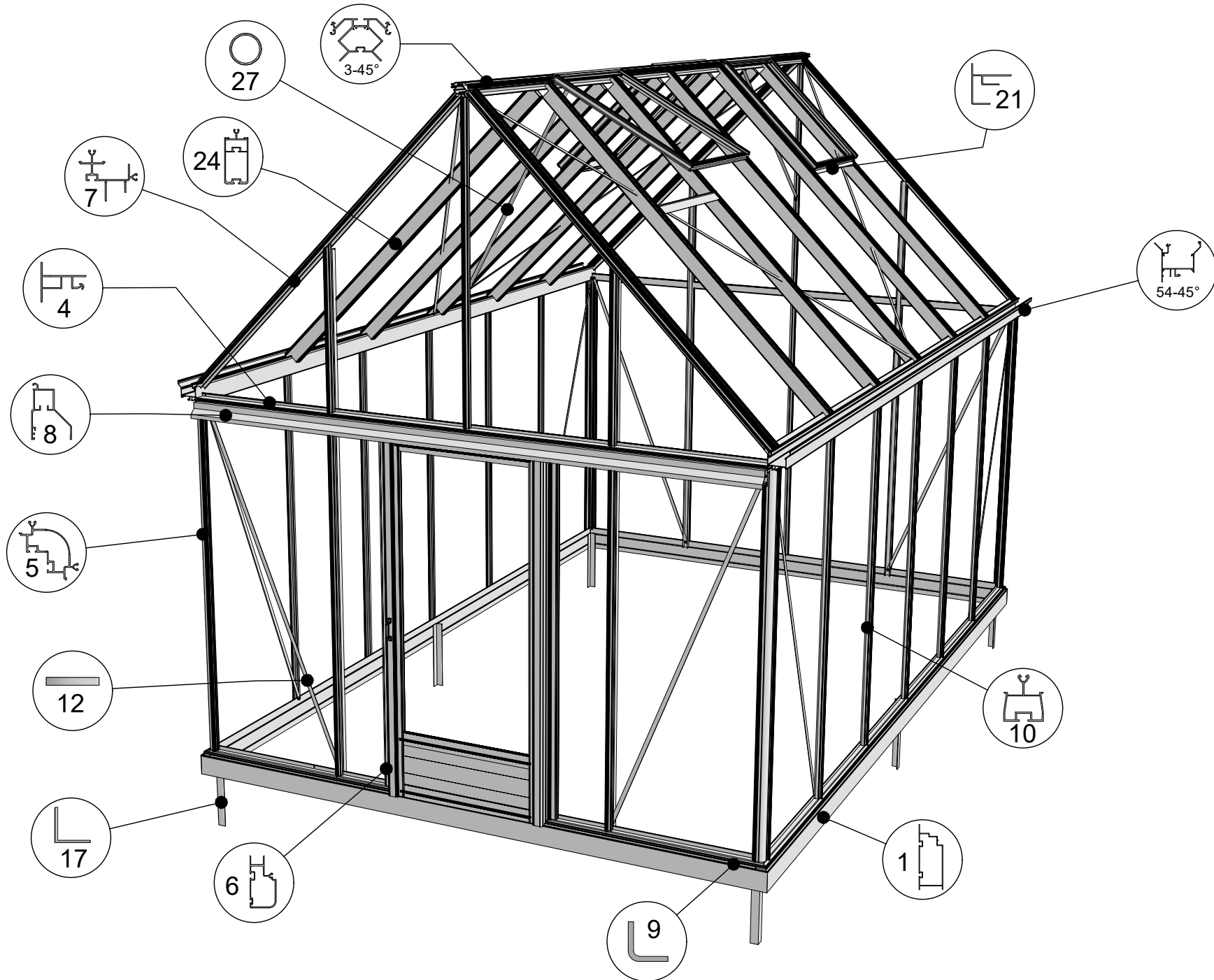


Euro-Cottage 3,09

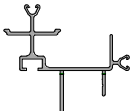
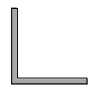
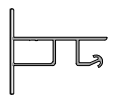

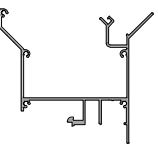
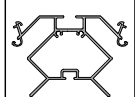
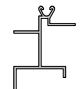

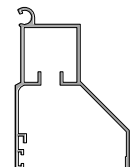
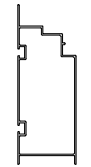
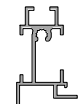
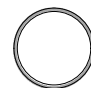
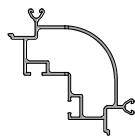



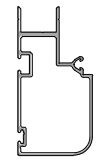
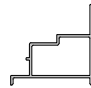
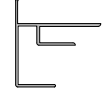
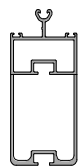
1633 = A
1833 = B



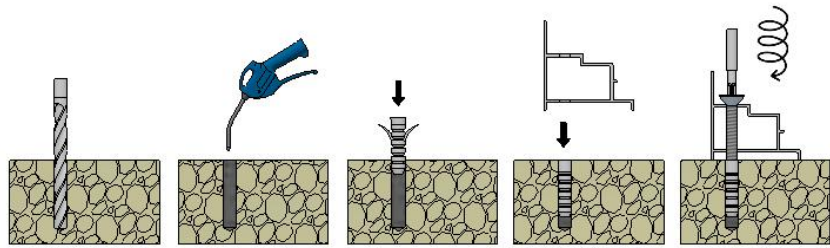
13-12-2023




Profile list

-	NR	Profile NR	-	NR	Profile NR	-	NR	Profile NR	-	NR	Profile NR
	7	7151		17	L40/40/2		4	17549		18	17542
	54-45°	17540		3-45°	15732		19	17543		27	B18
	8	7633		1	17538		20	28513		40	B32
	5	17548		10	17541		9	L15/15/2		12	7070
	6	9915		1A	17552		21	29577		24	10968 U

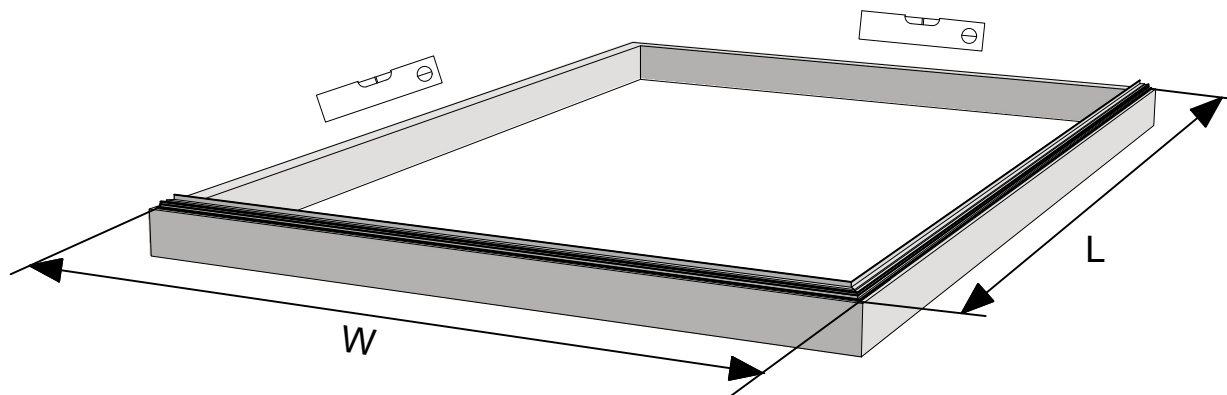
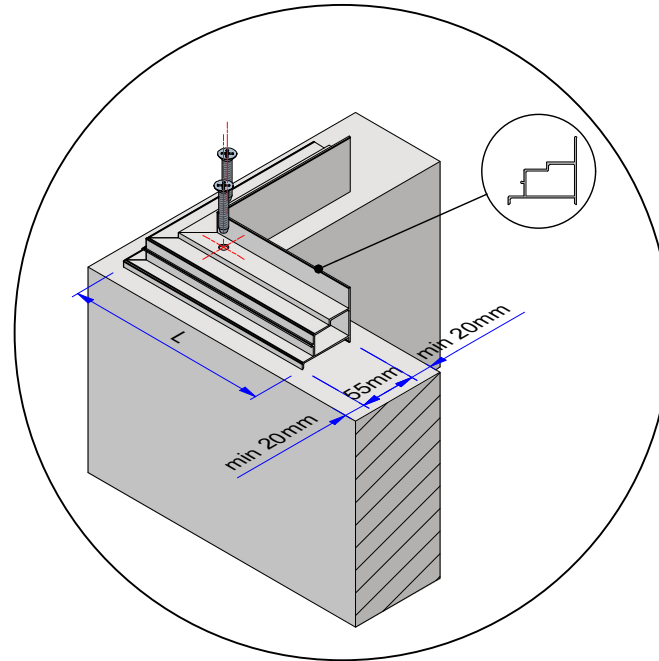
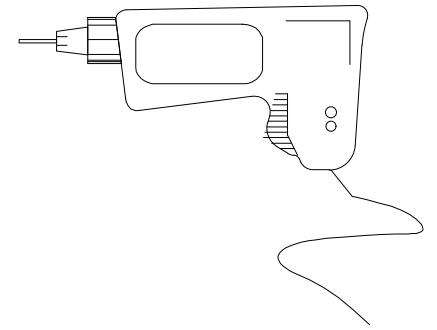
- Attention! Check inside the foundation for more profiles.
- Please fasten screws and nuts hand-tight.
- Achtung! Prüfen sie das fundament für weitere profile.
- Schraube und Mutter bitte handfest festziehen.
- Opgelet! kijk in de fundering voor andere profielen.
- Bout en moer a.u.b. handvast aandraaien.
- Attention! Regarde à l'intérieur du fondation pour plussier profils.
- Serrez les écrous et vis à la main s.v.p.
- Observera at en del profiler ligger i sockelprofilen!!
- Dra åt skruven och muttern handfast.

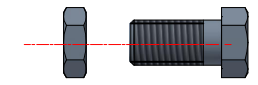


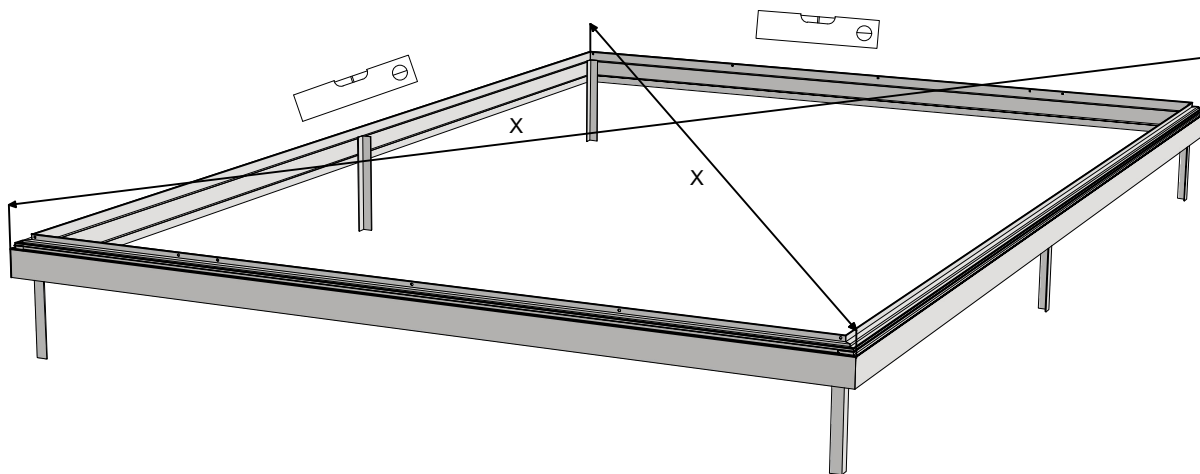
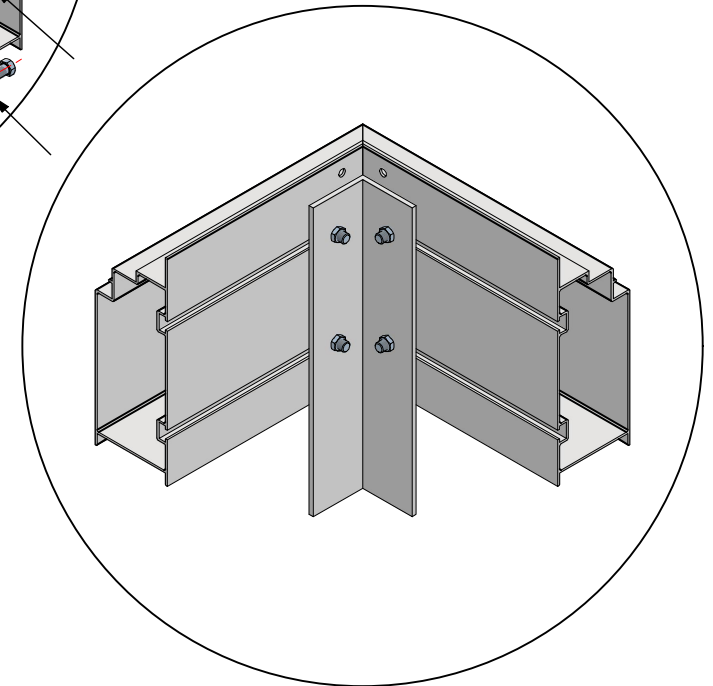
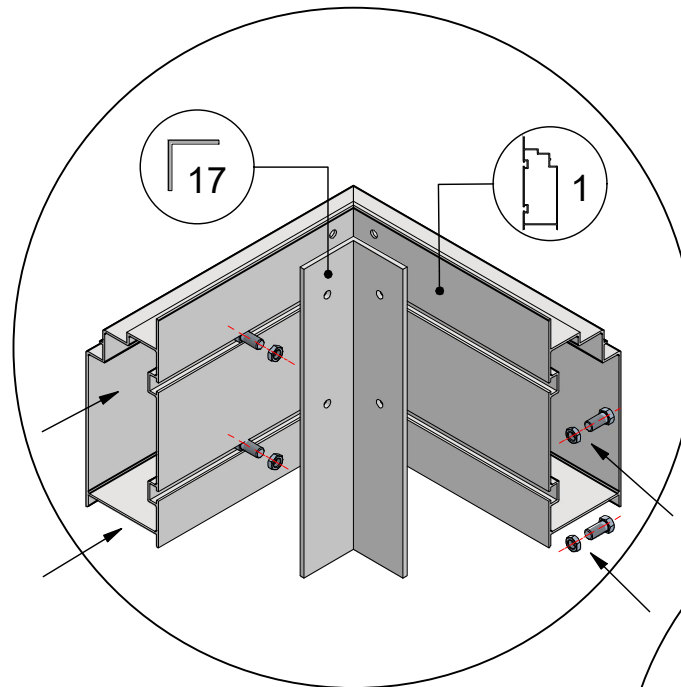
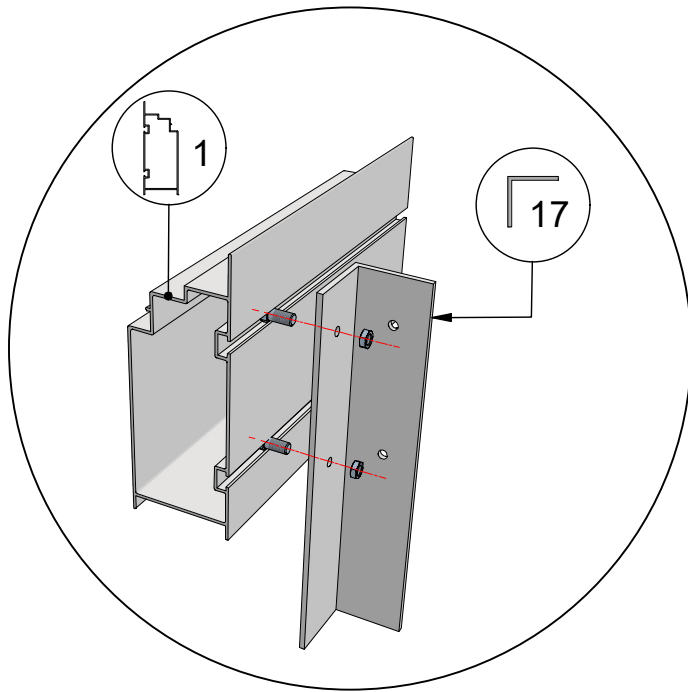
 = 8x40

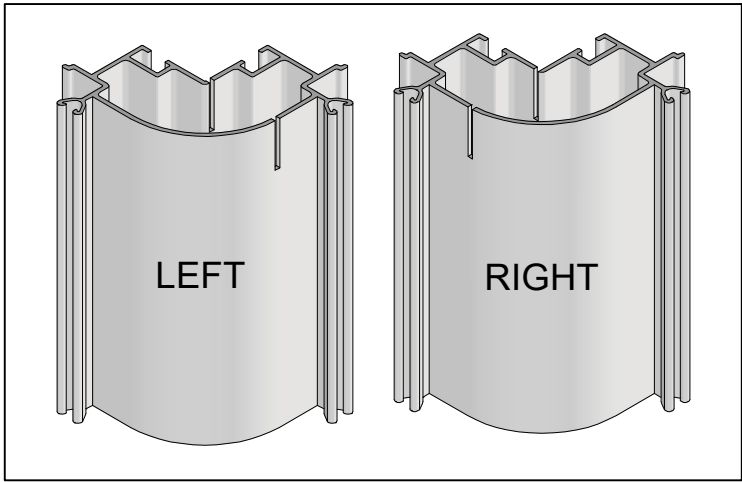
  = 6x120

$\varnothing = 8\text{mm}$

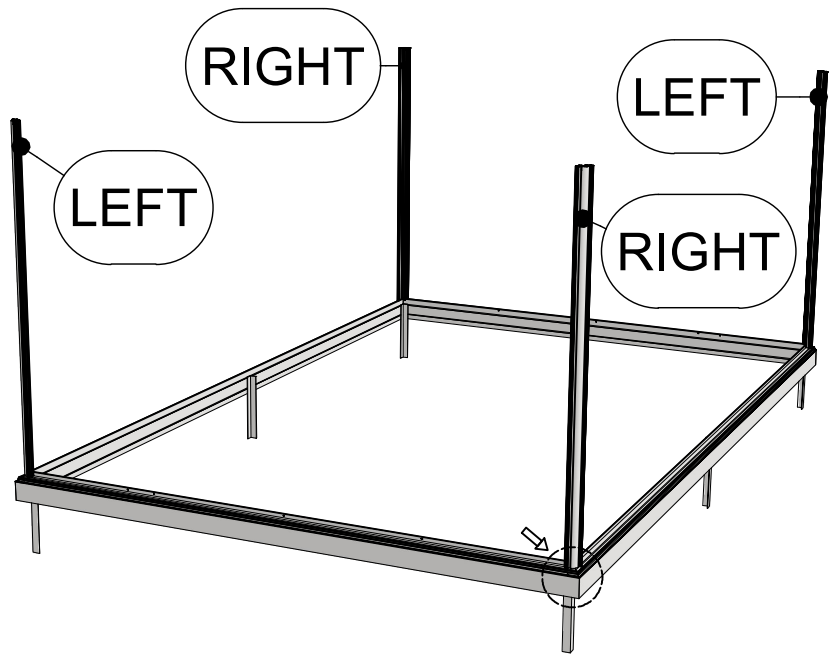
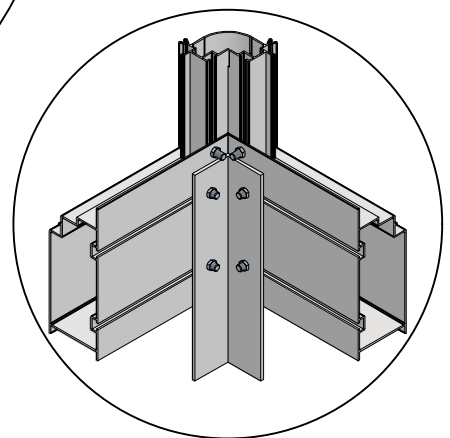
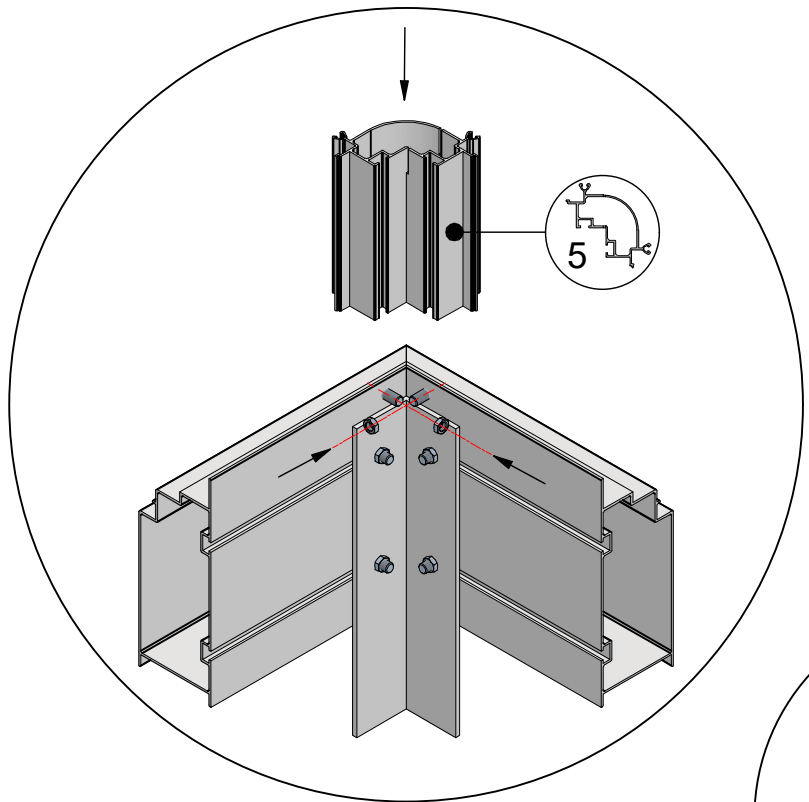



 = M6x12

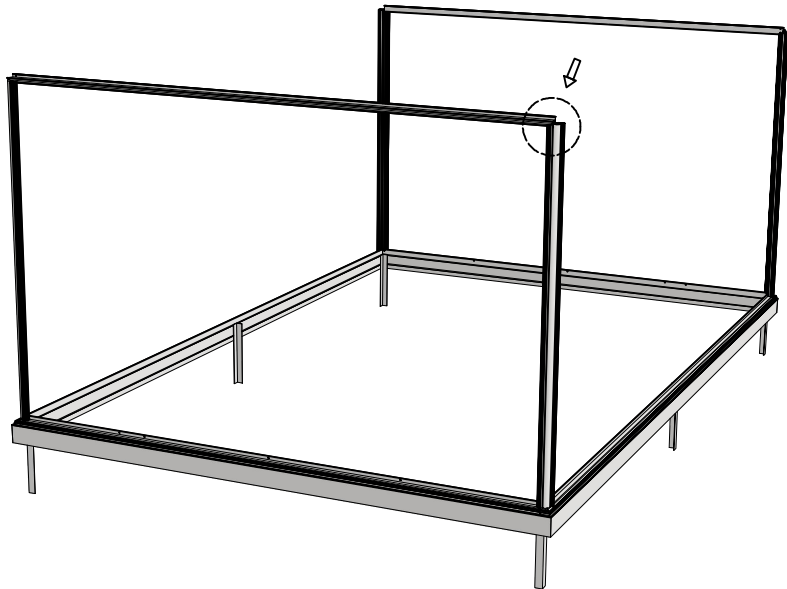
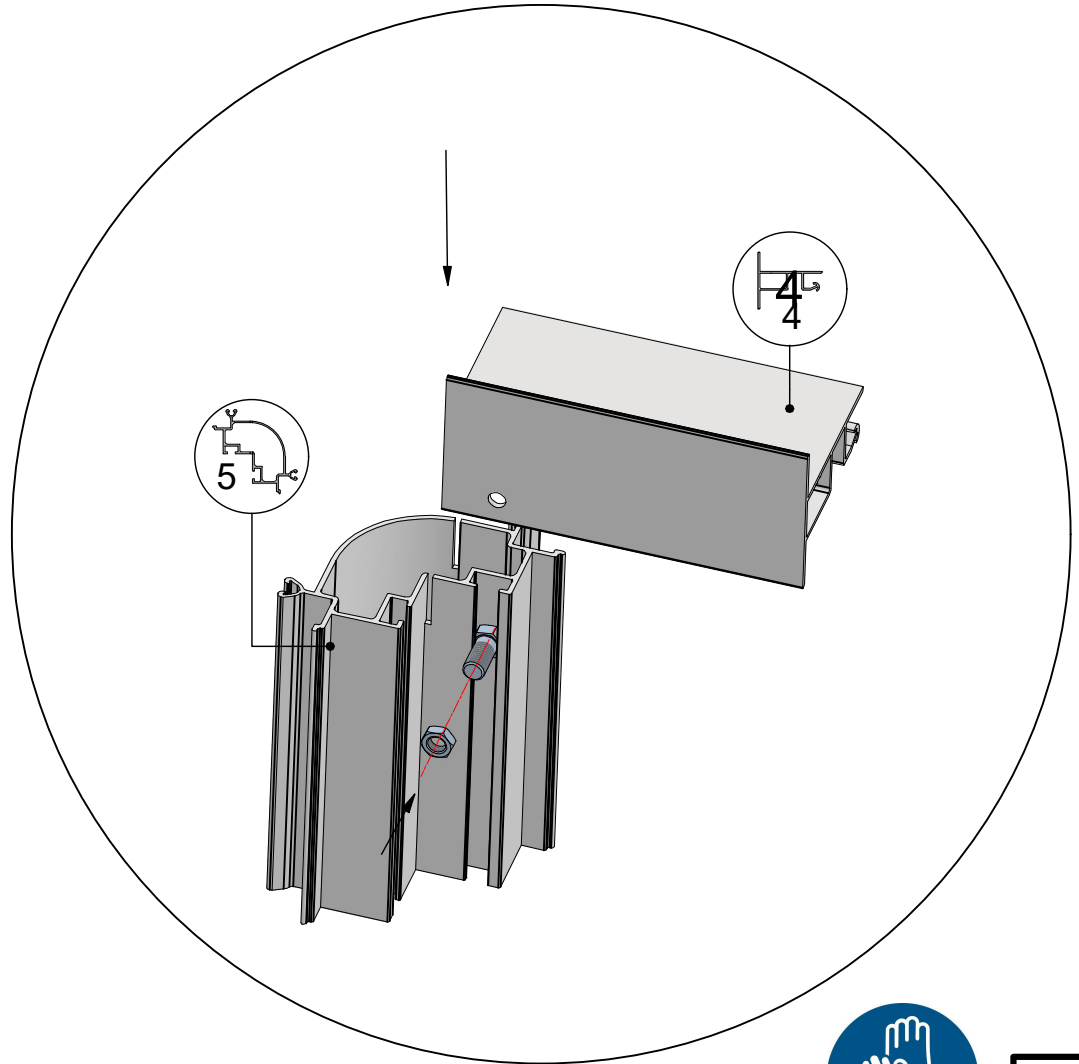
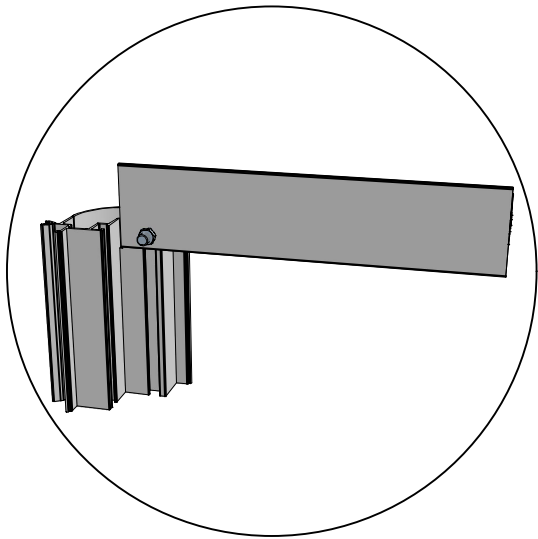




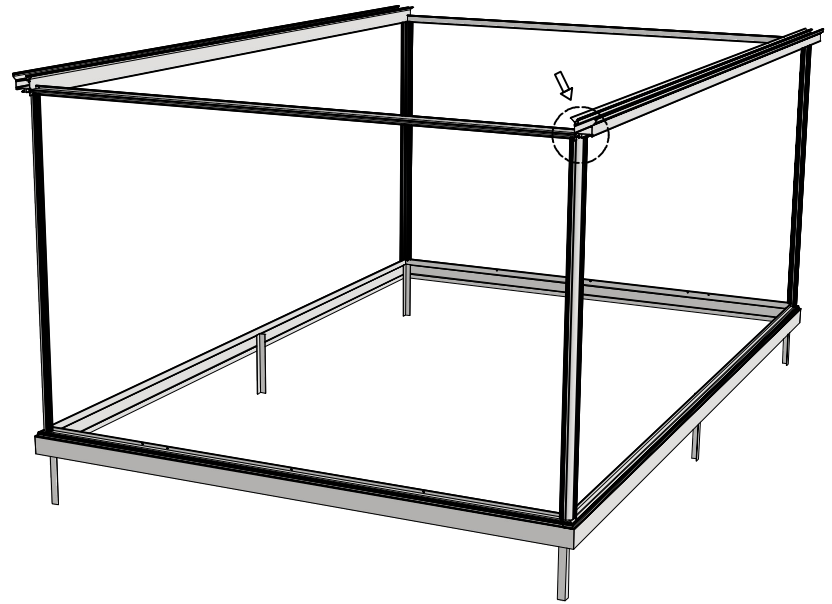
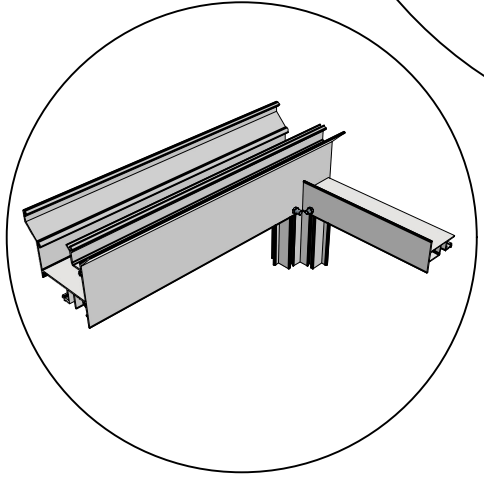
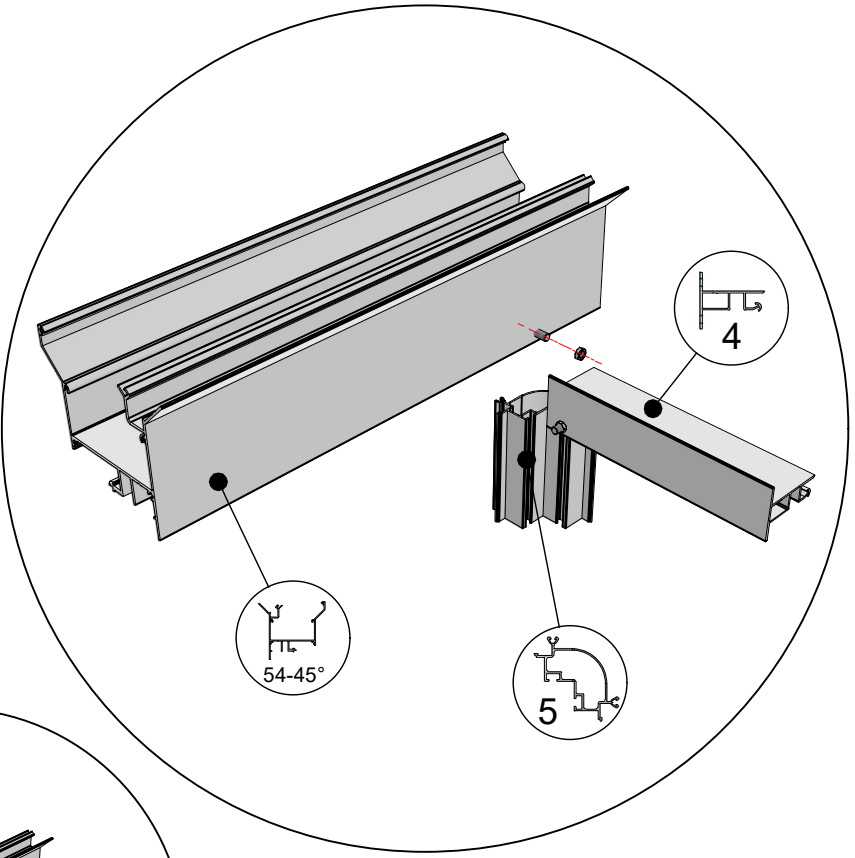
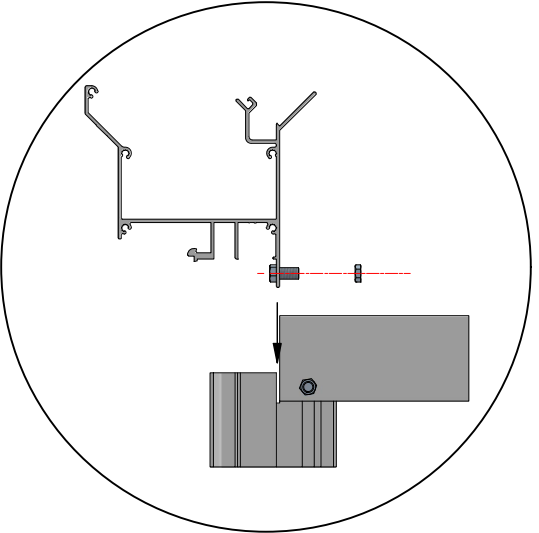
 = M6x12 (8x)



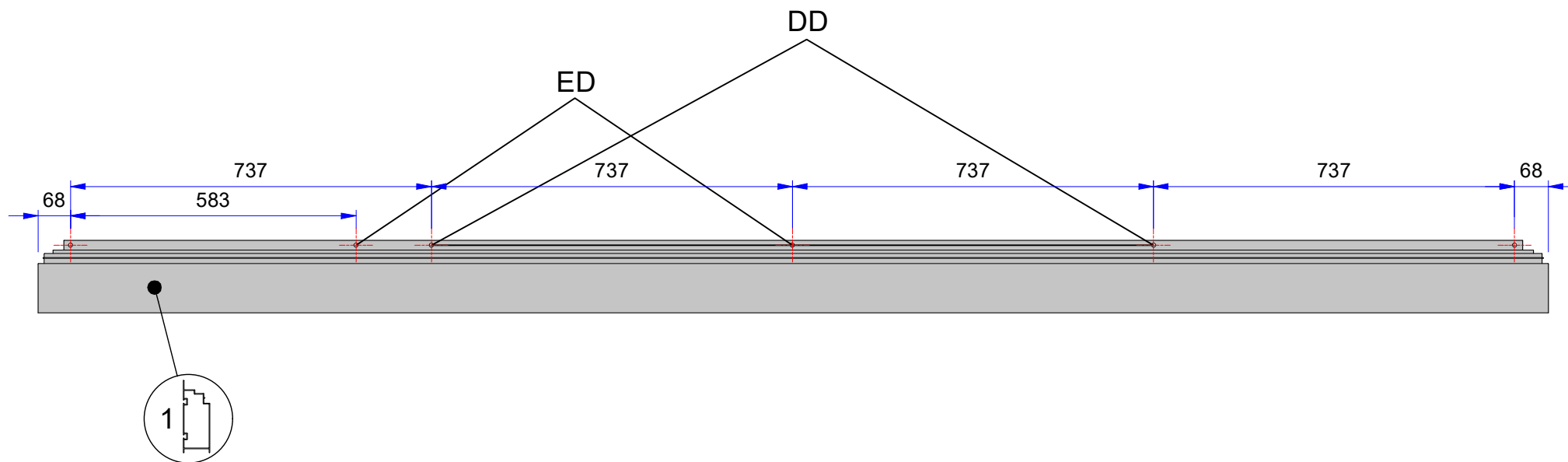
 = M6x12 (4x)



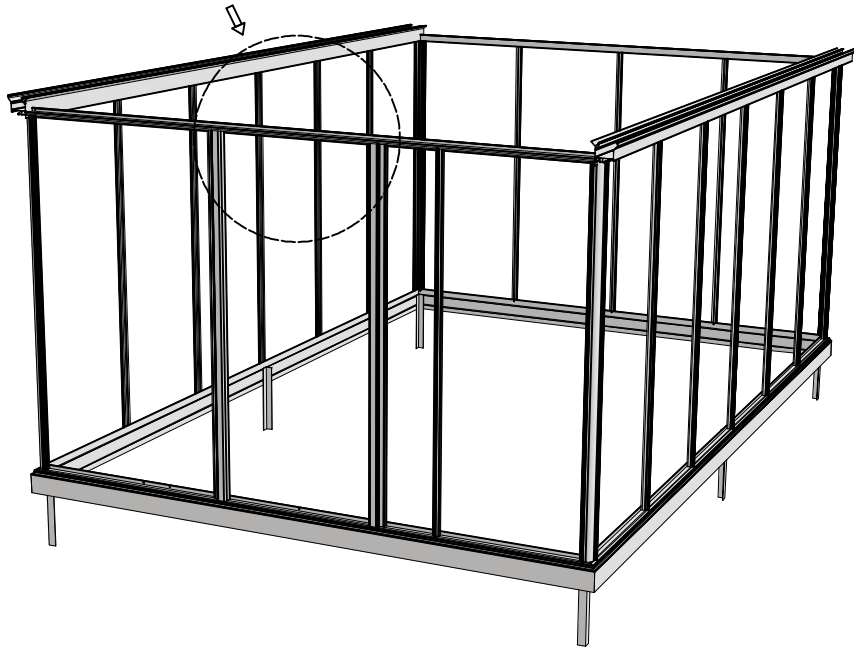
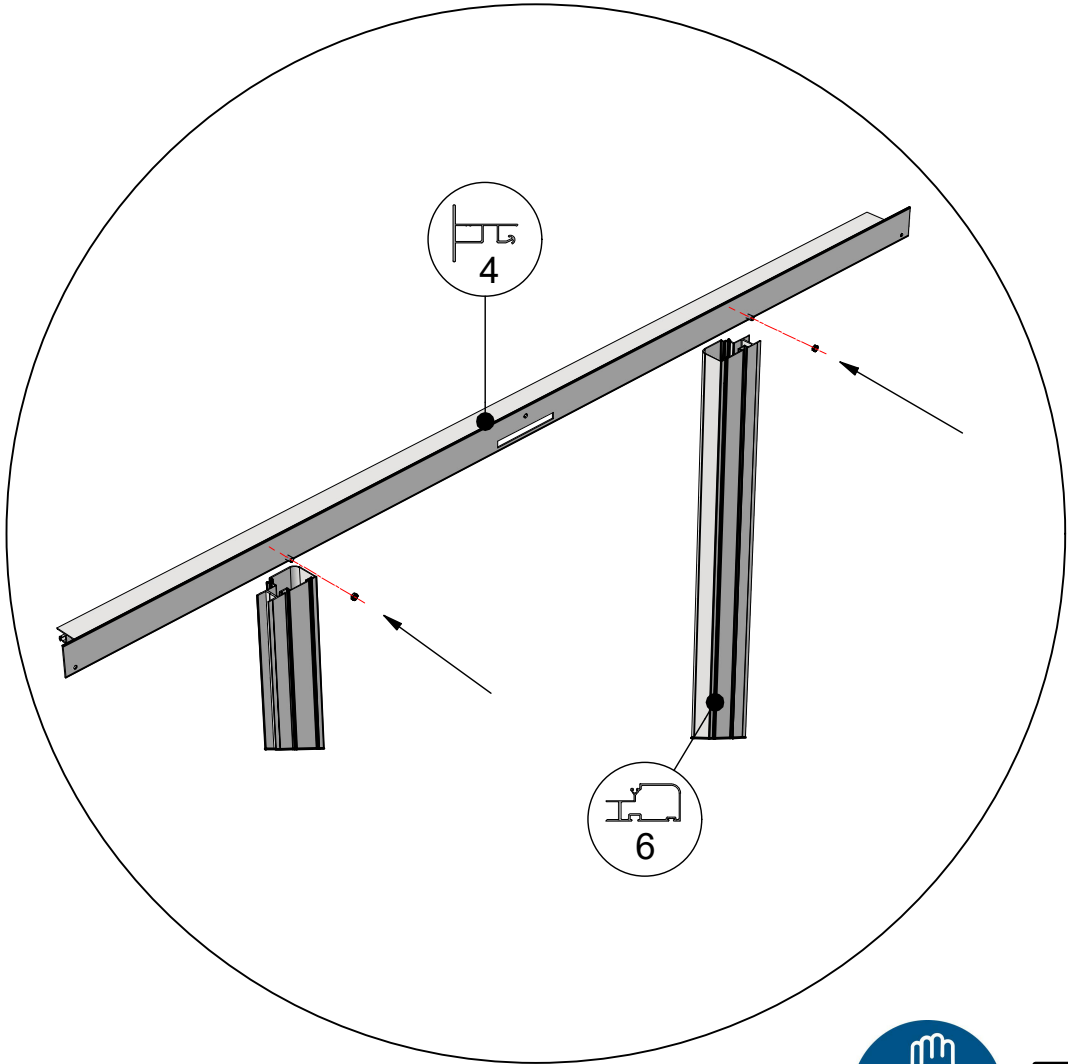
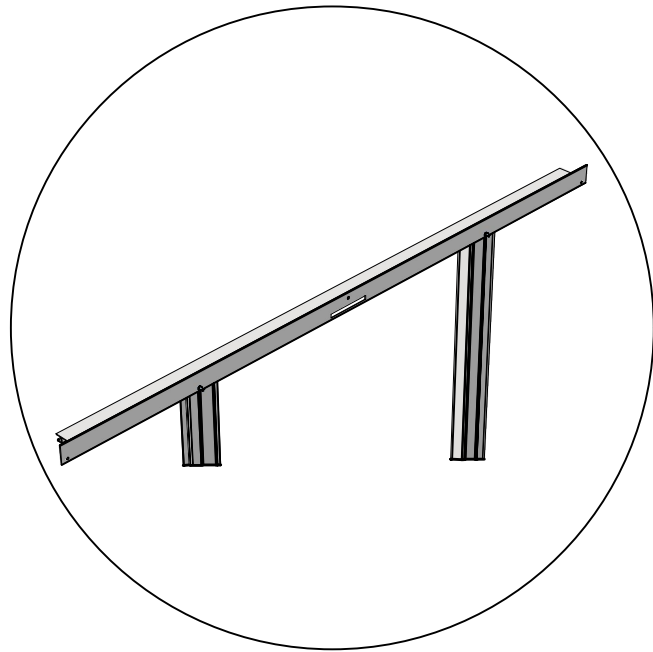
 = M6x12 (4x)




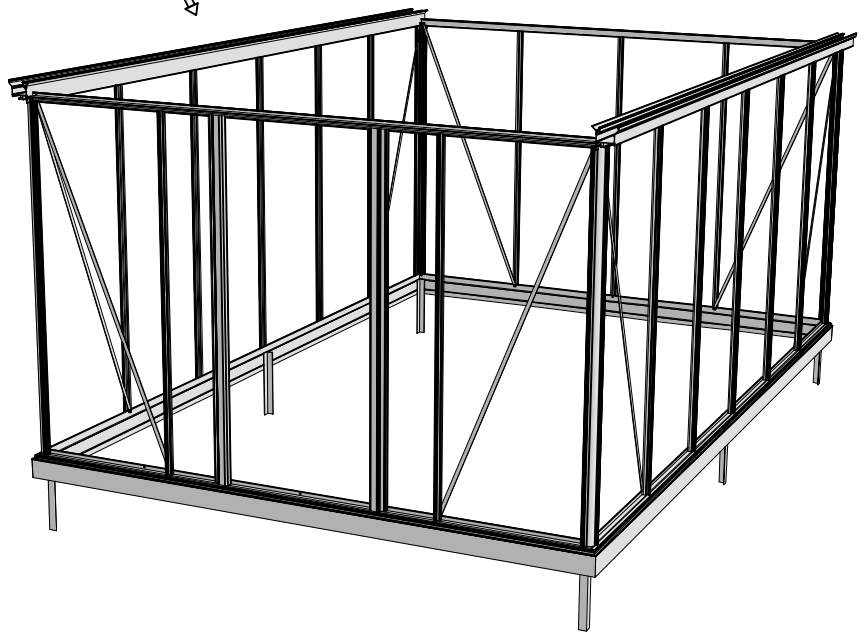
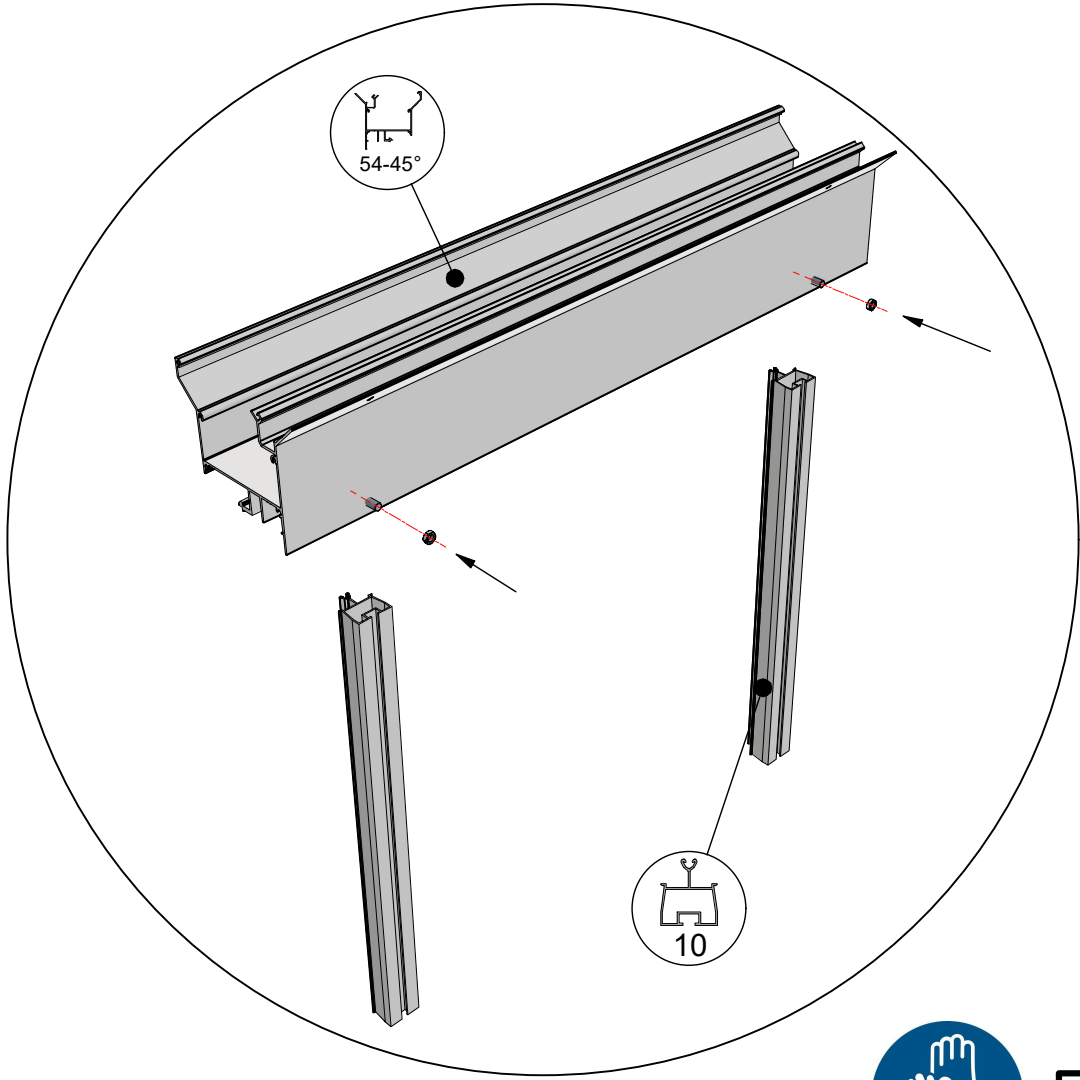
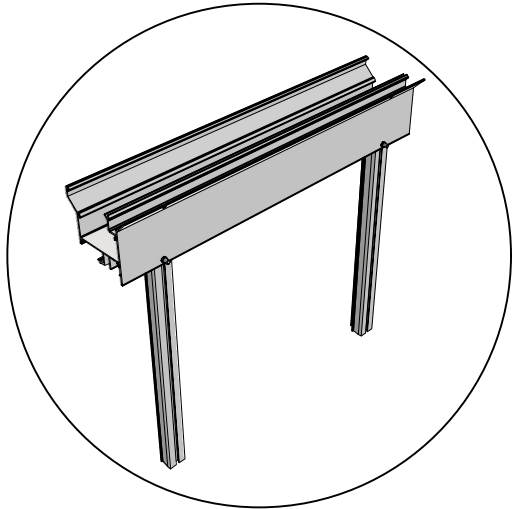
Position of the door profiles
Positie van de deurprofielen
Positions des profiles de la porte
Position van der Tjerpfoften




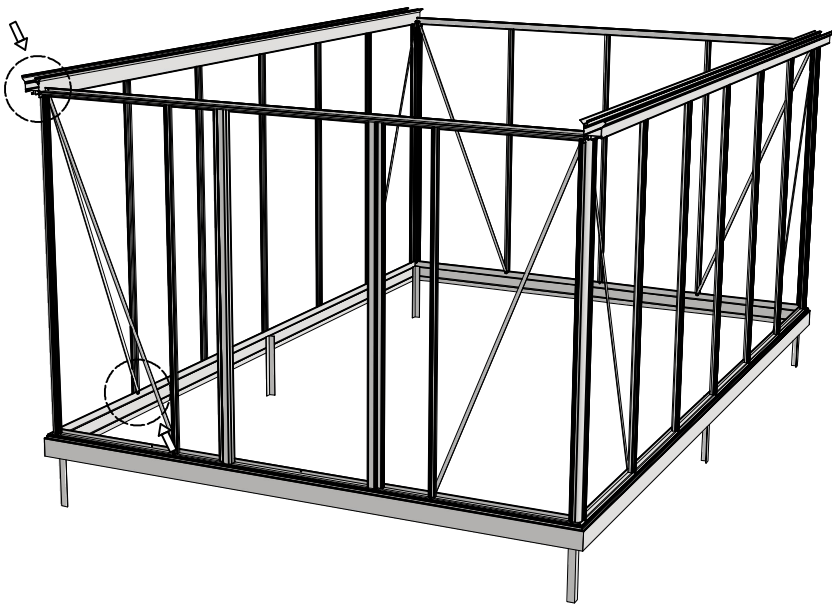
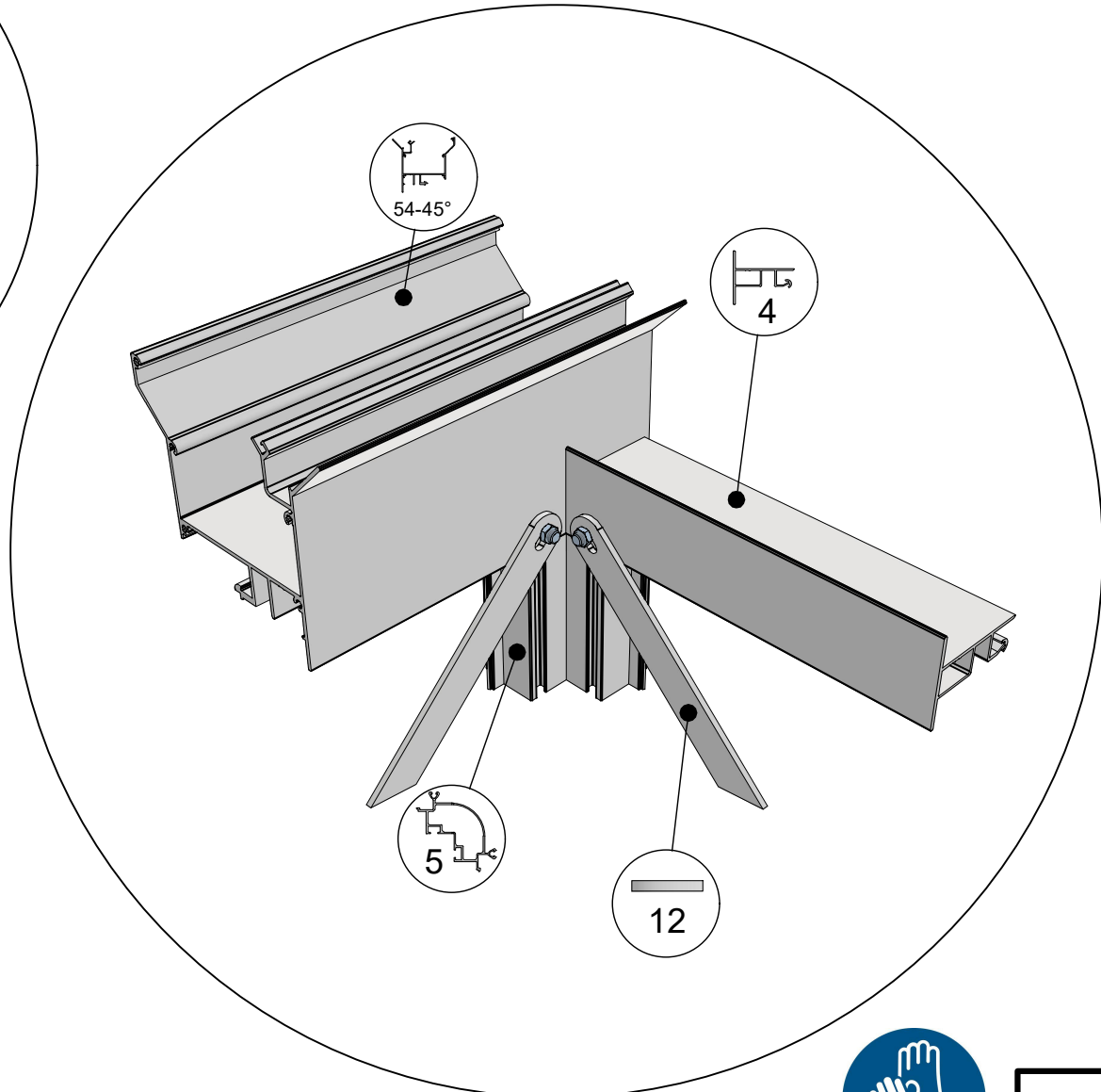
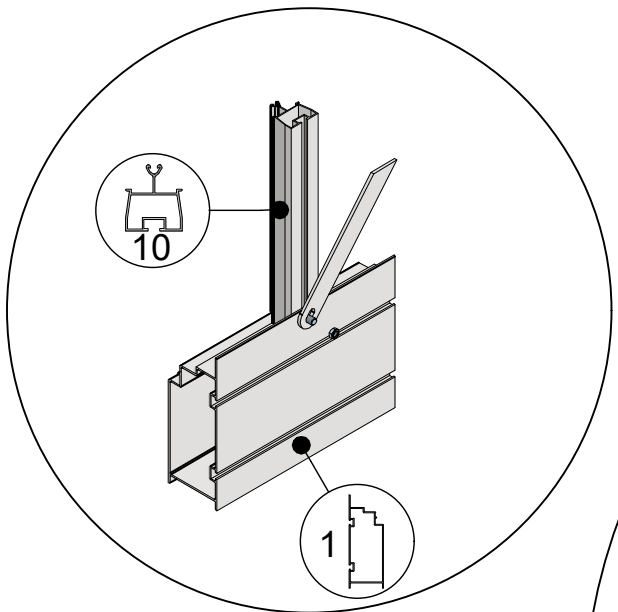
 = M6x12 (2x)



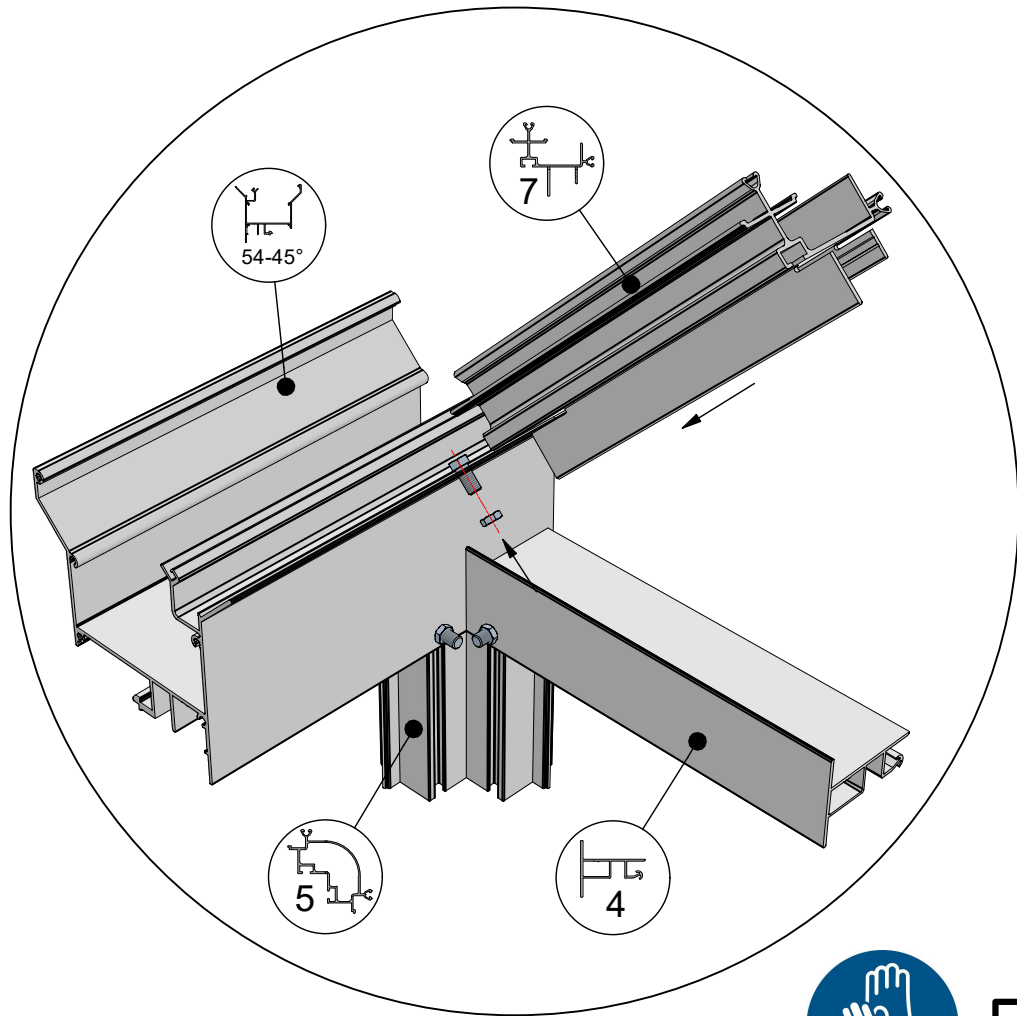
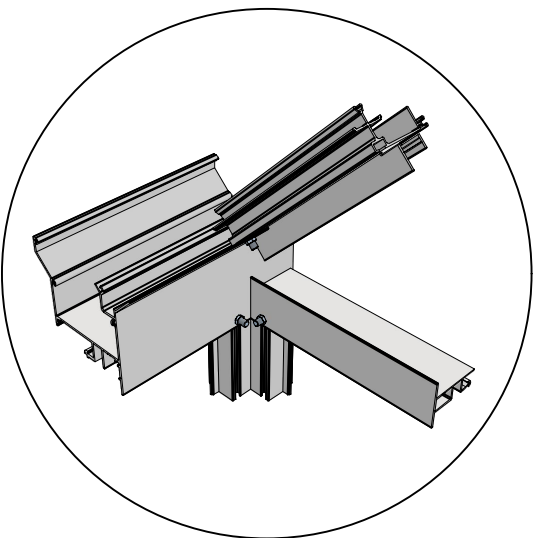
 = M6x12

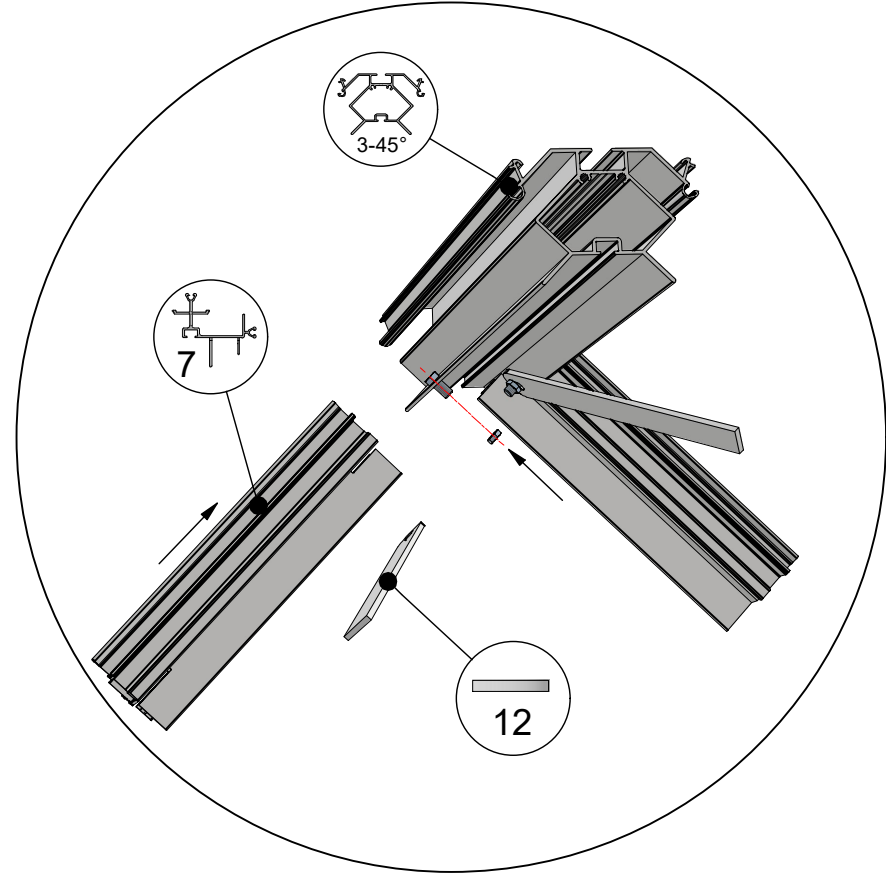
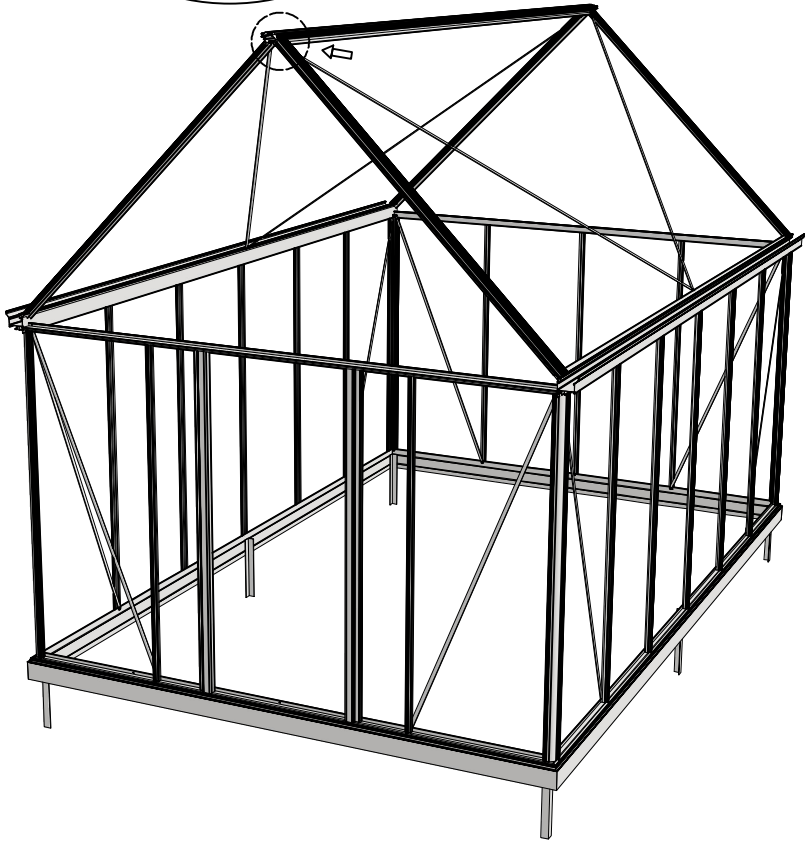
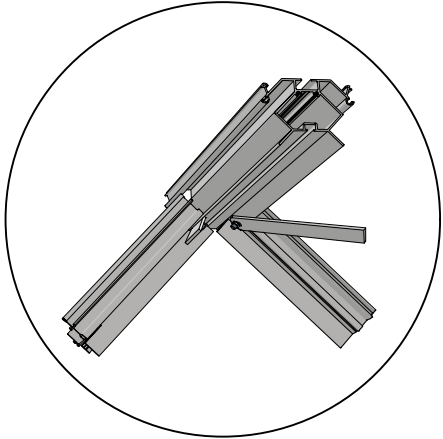
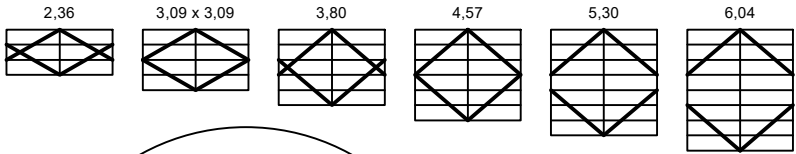


 = M6x12

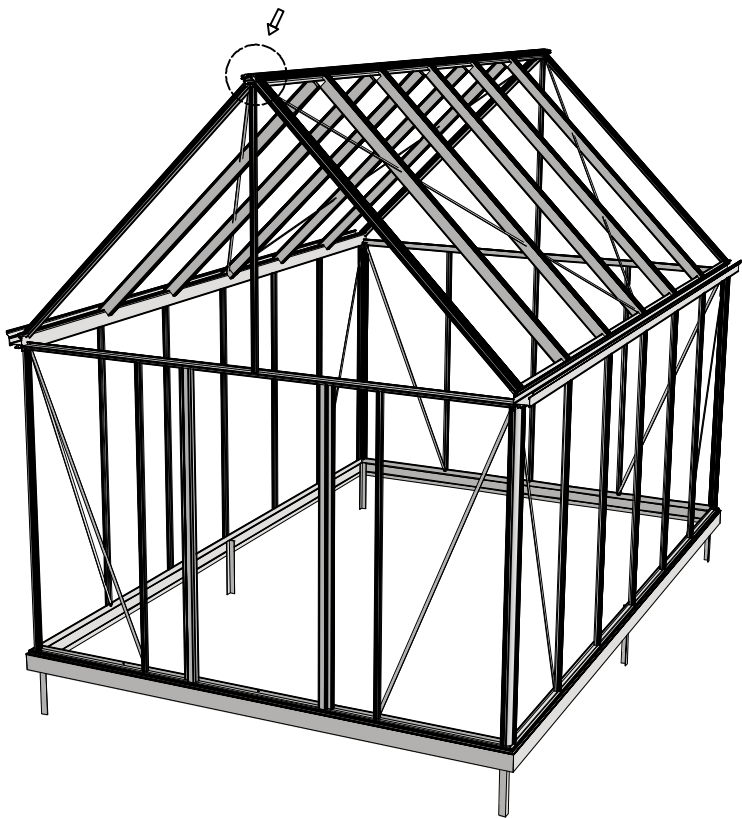
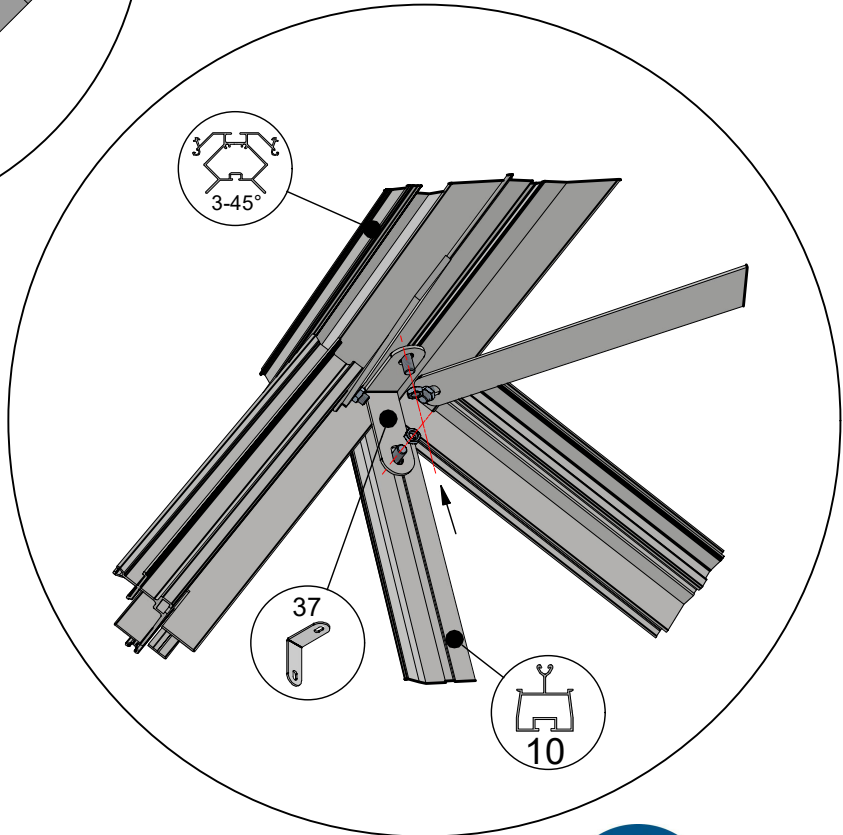
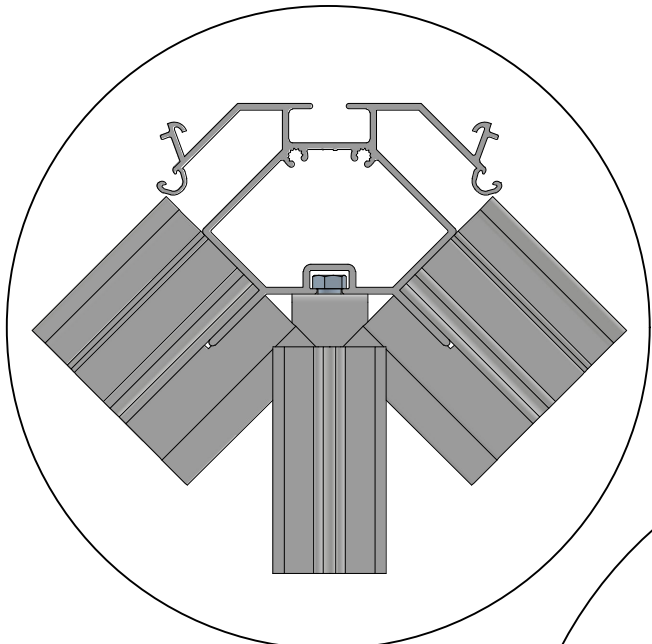
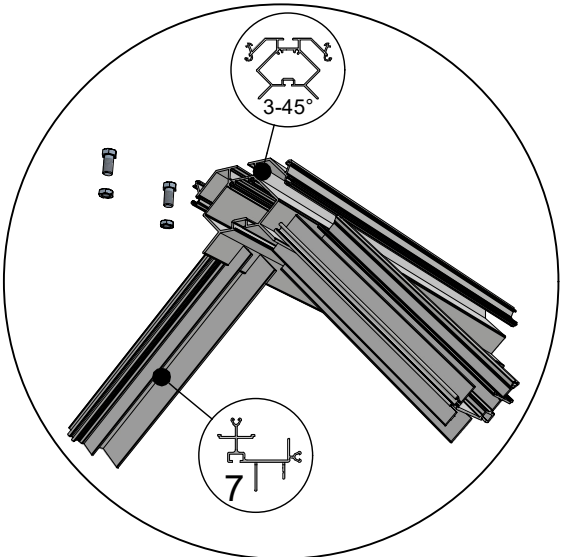


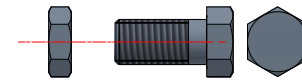
 = M6x12 (4x)

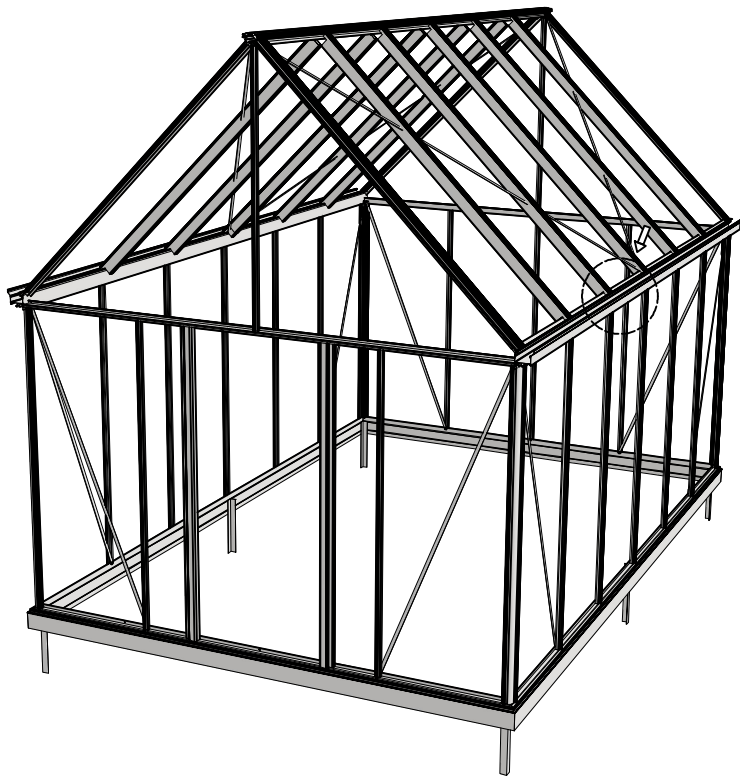
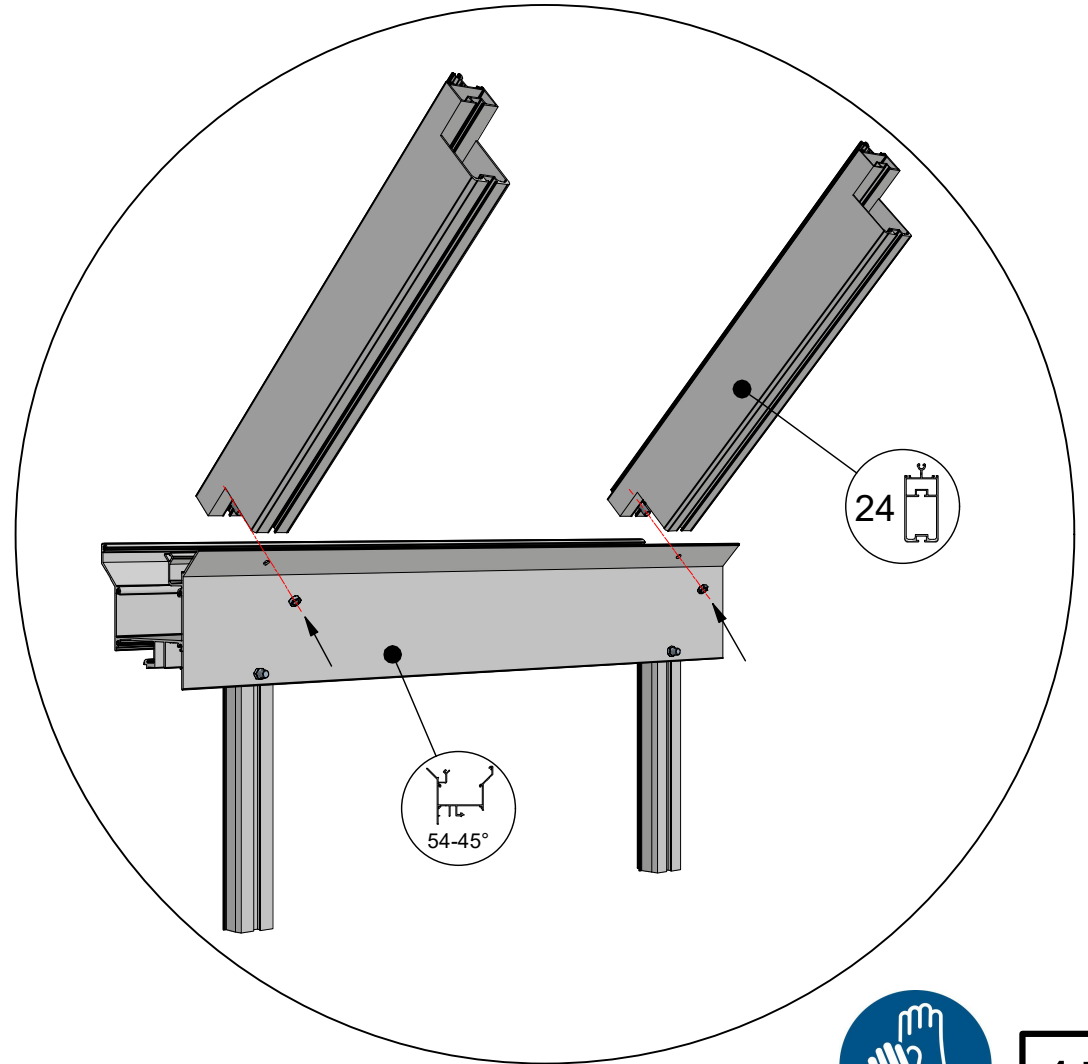
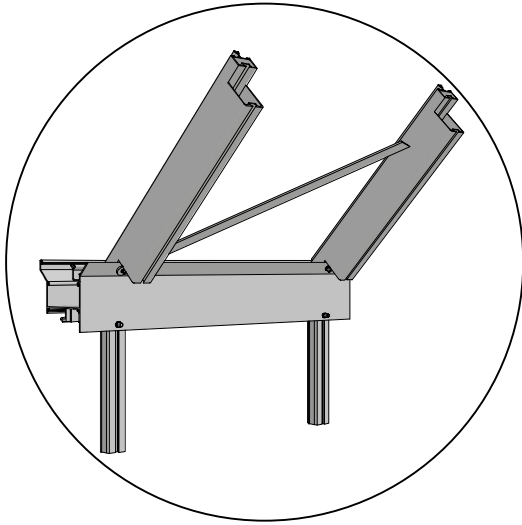





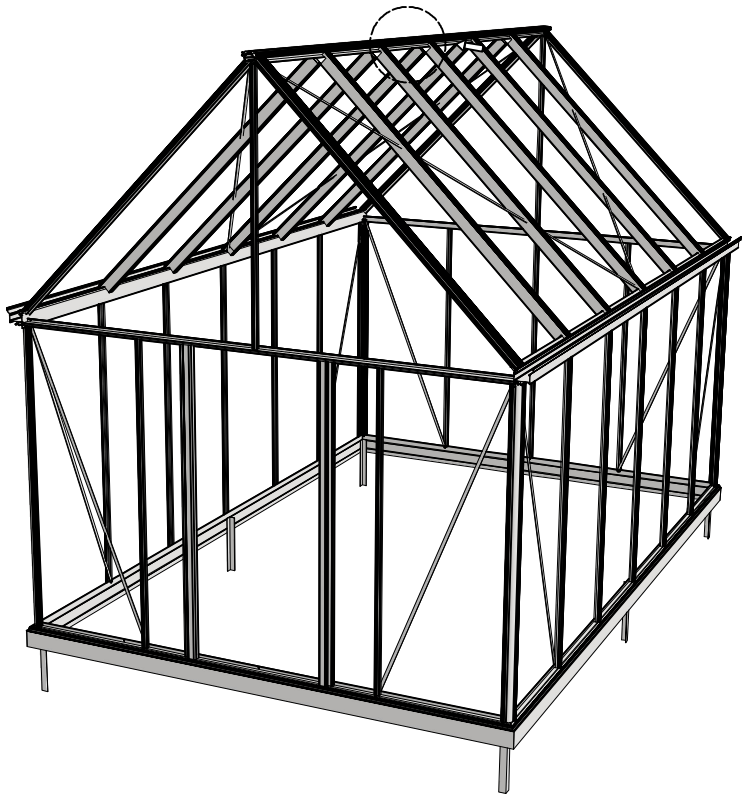
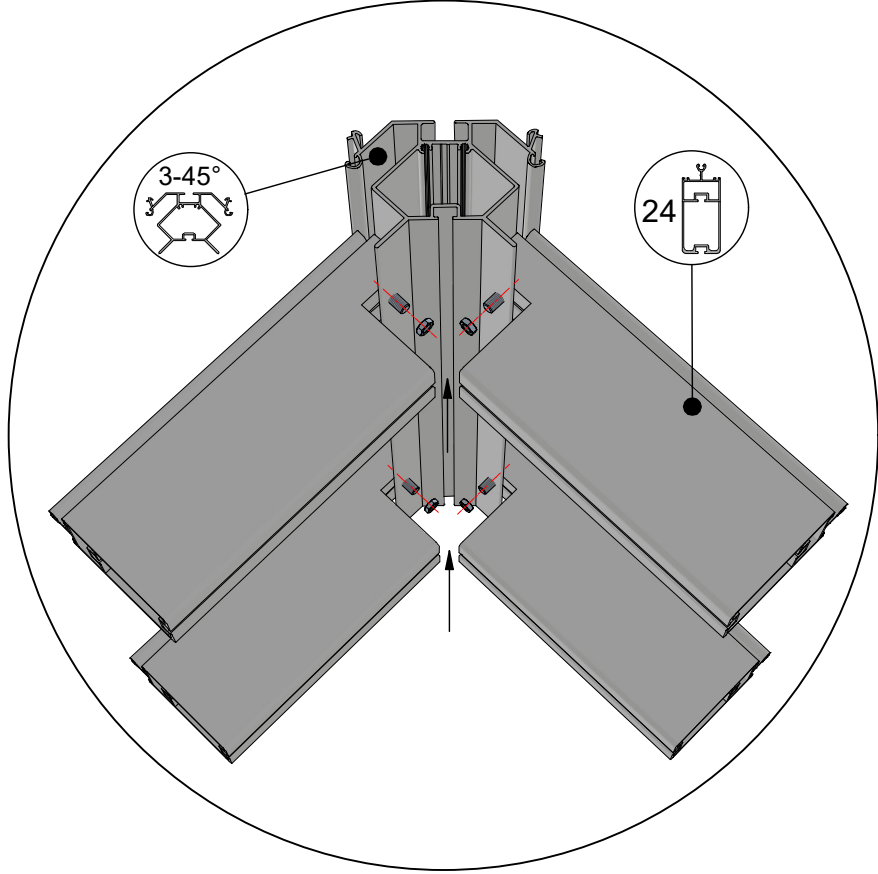
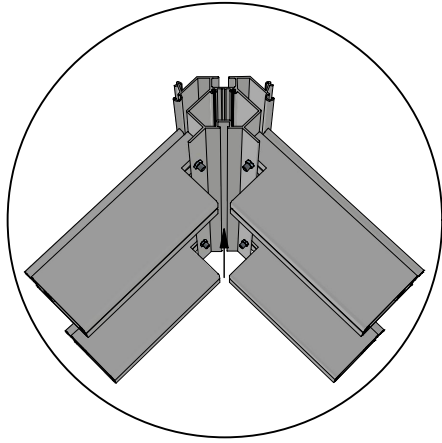
 = M6x12 (4x)



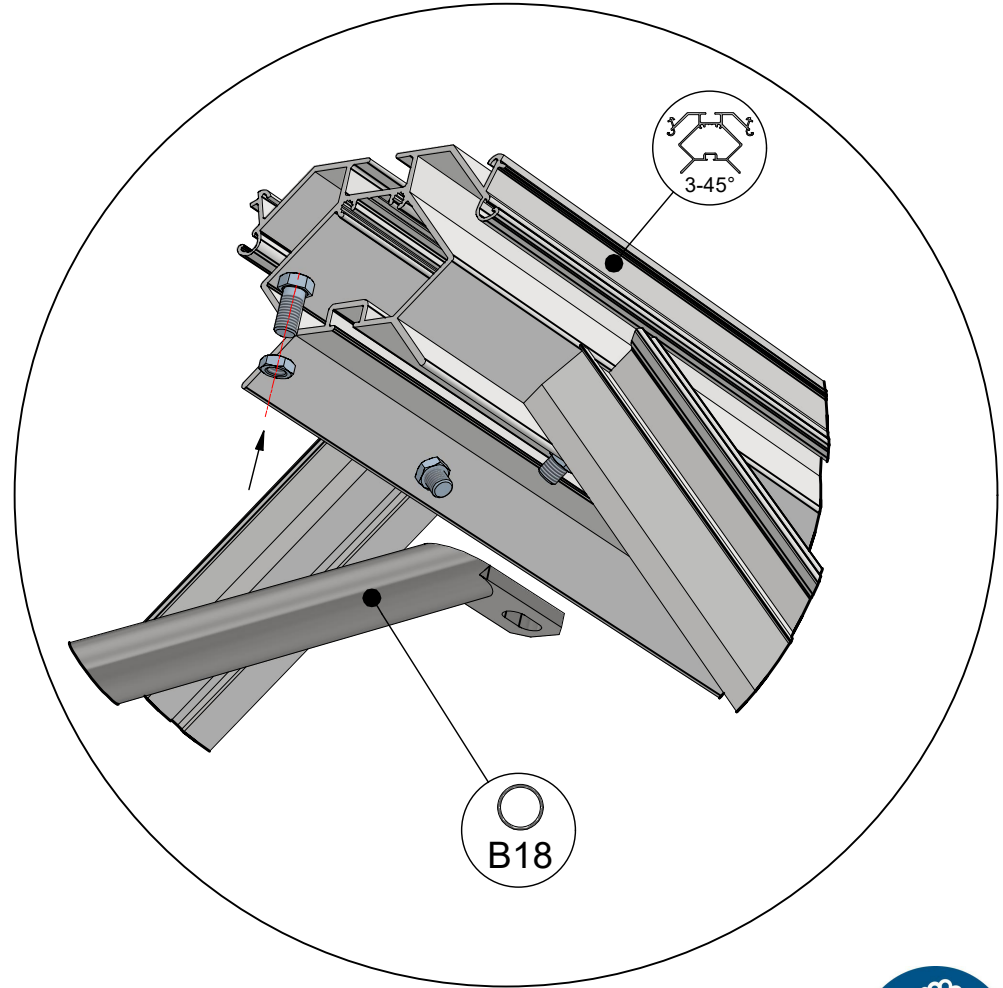
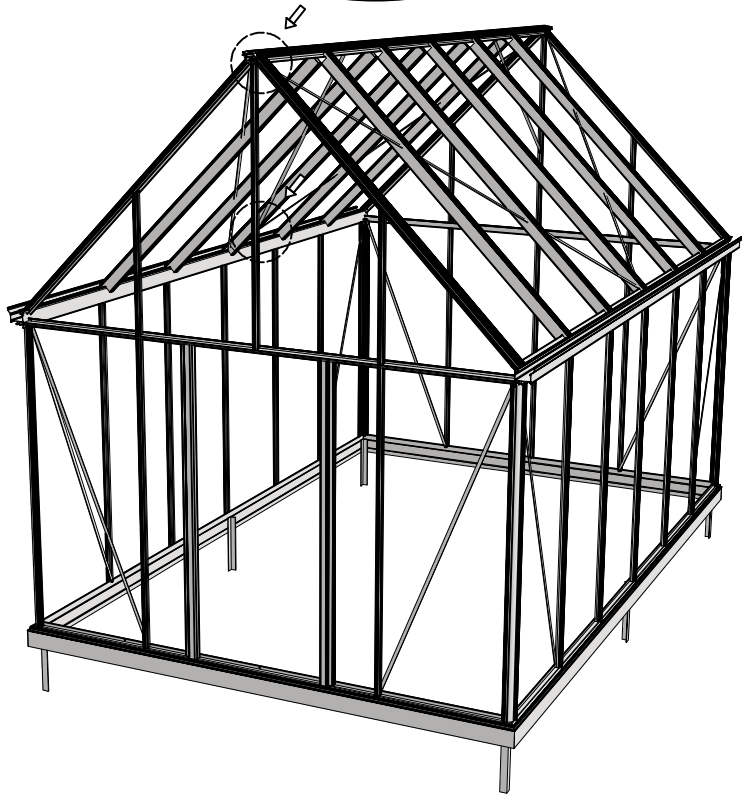
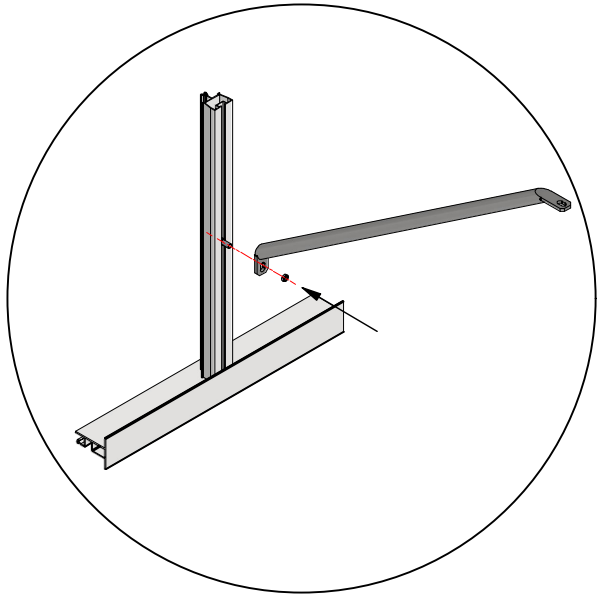
 = M6x12



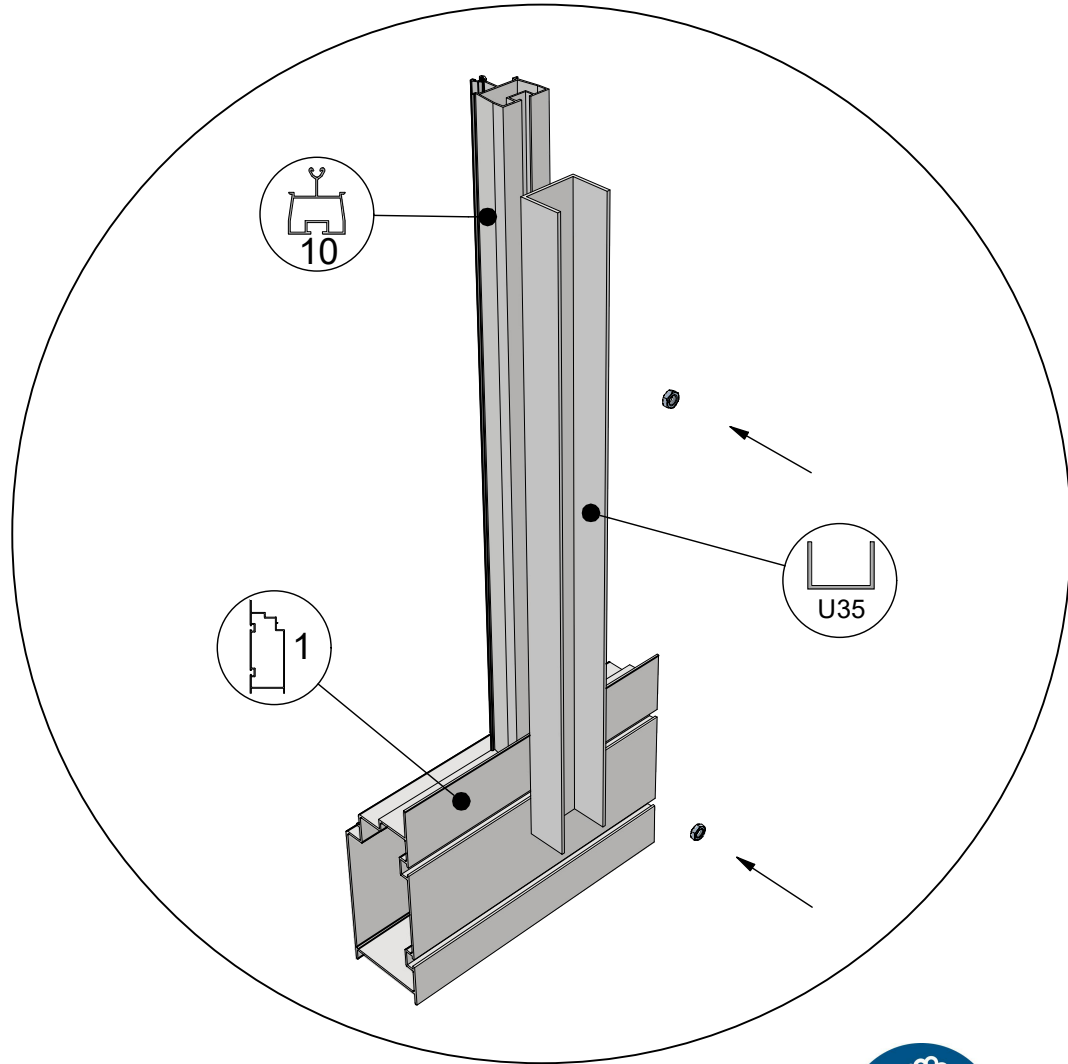
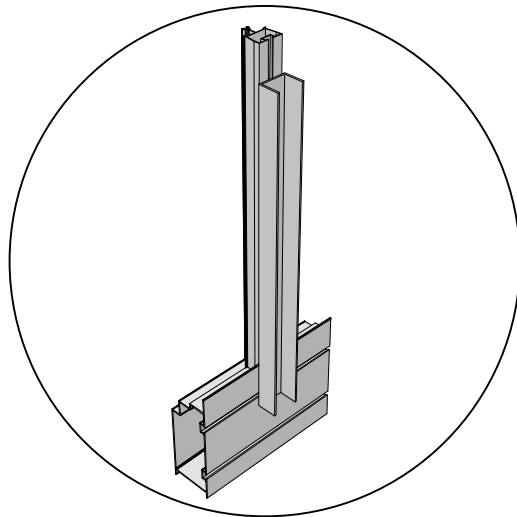
 = M6x12

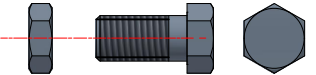


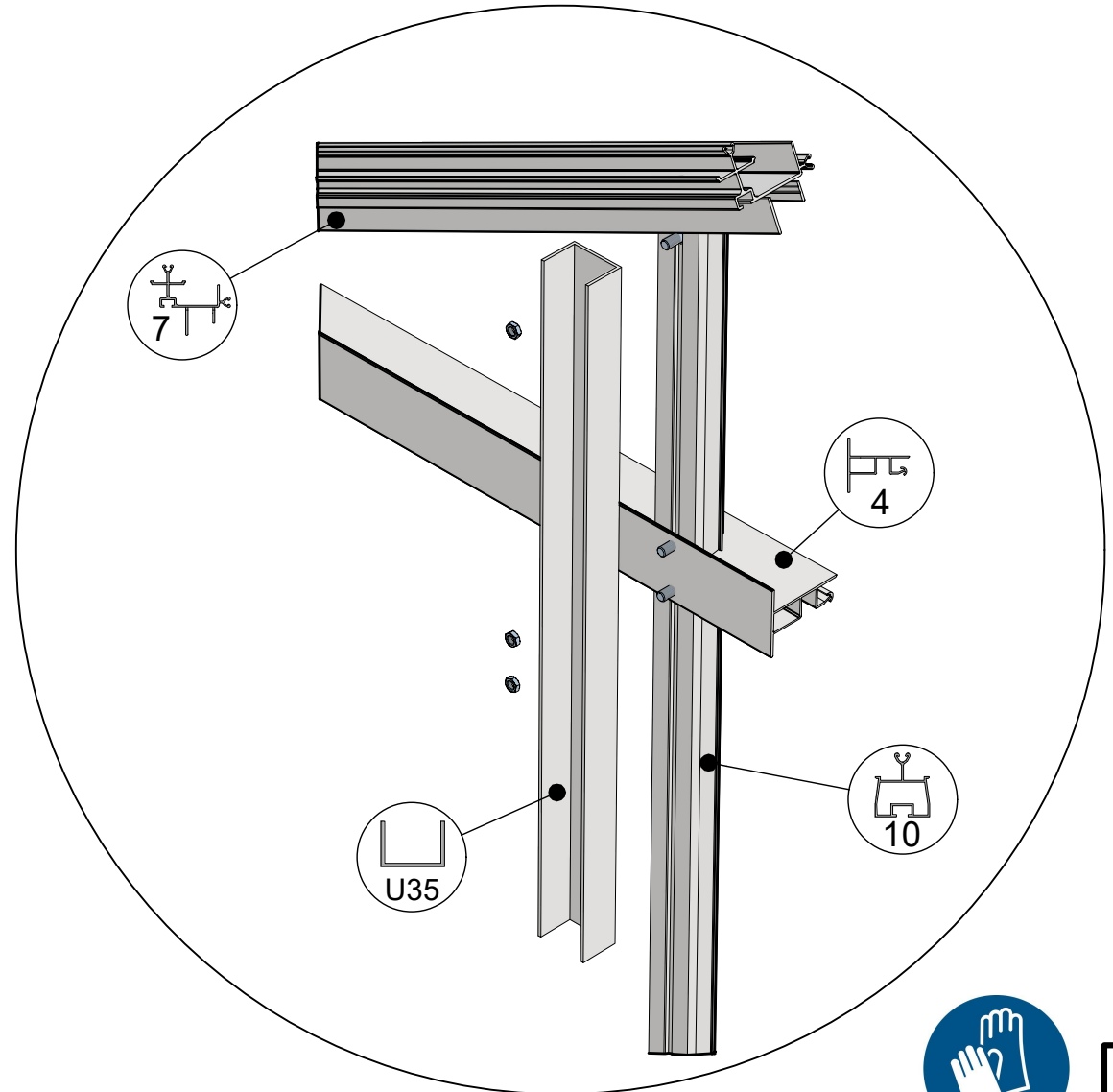
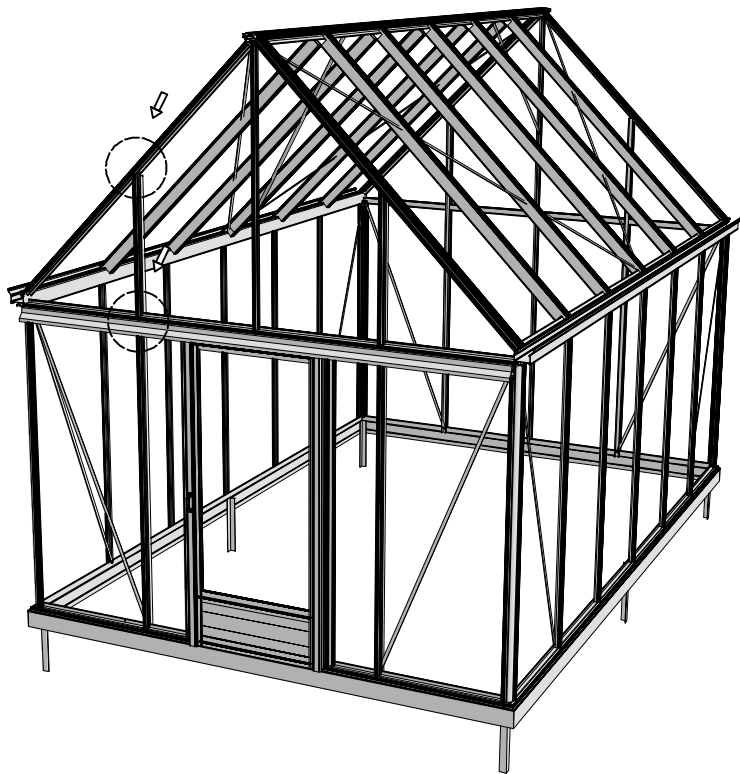
 = M6x12 (4x)

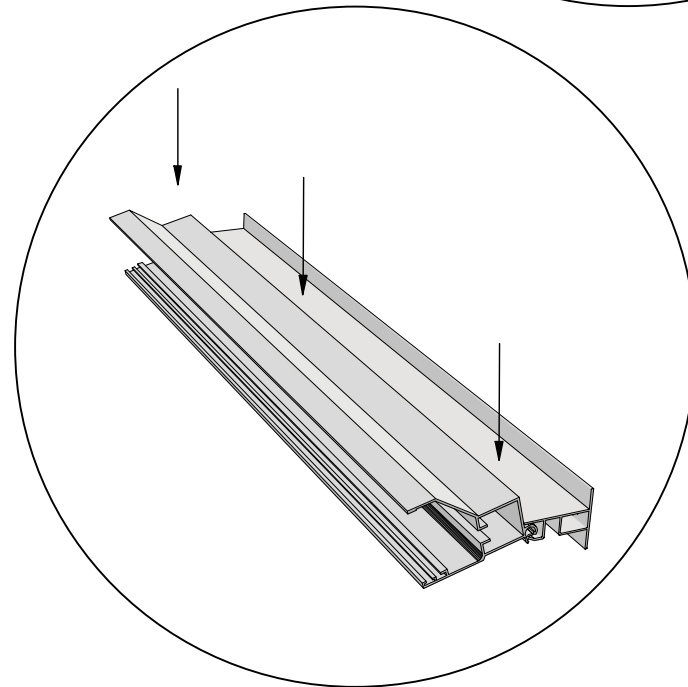
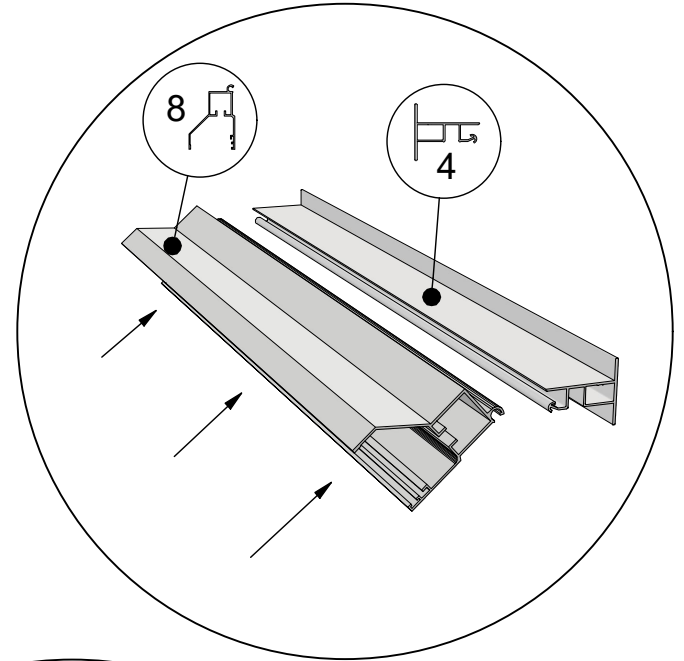
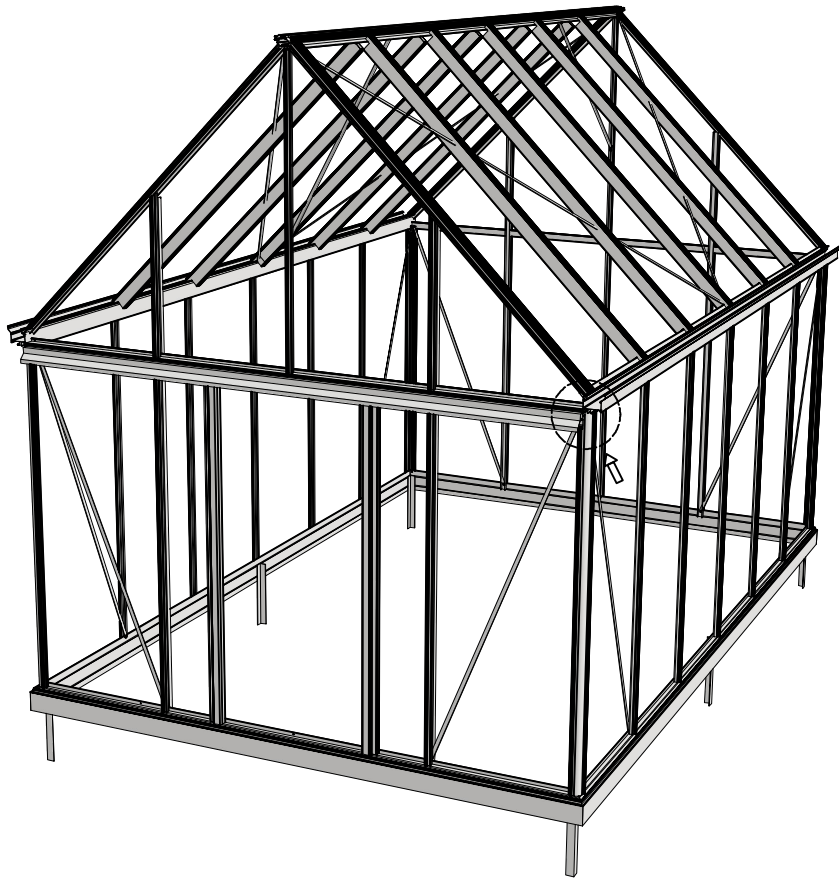


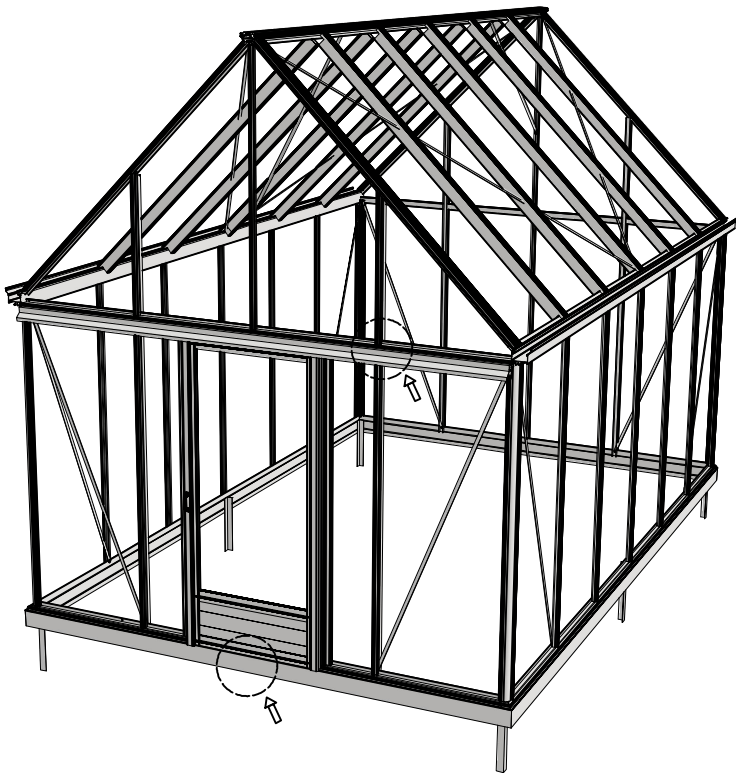
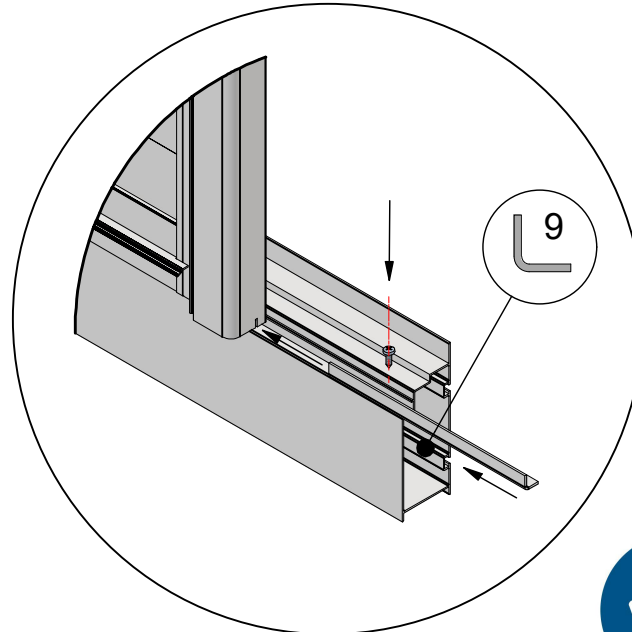
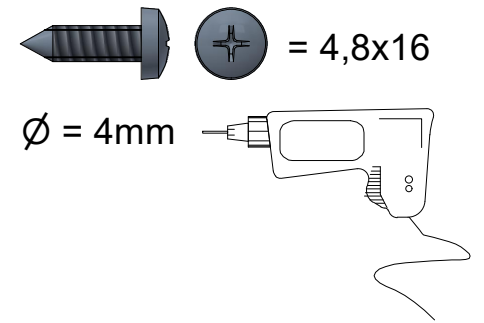
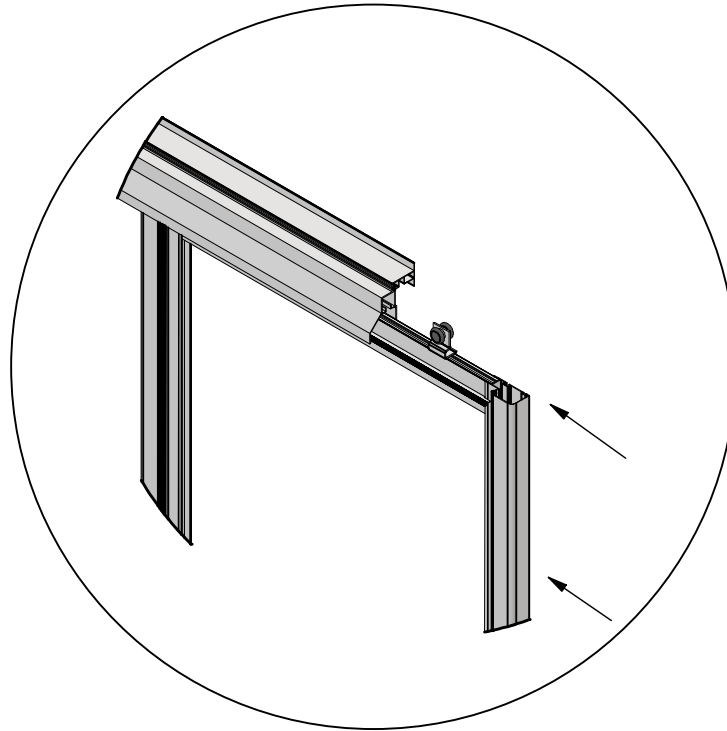
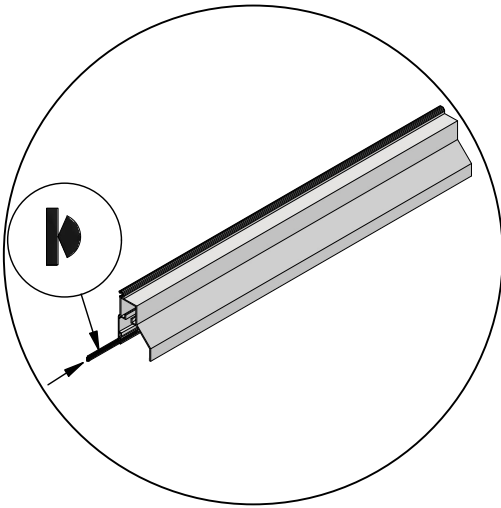
 = M6x12



 = M6x12

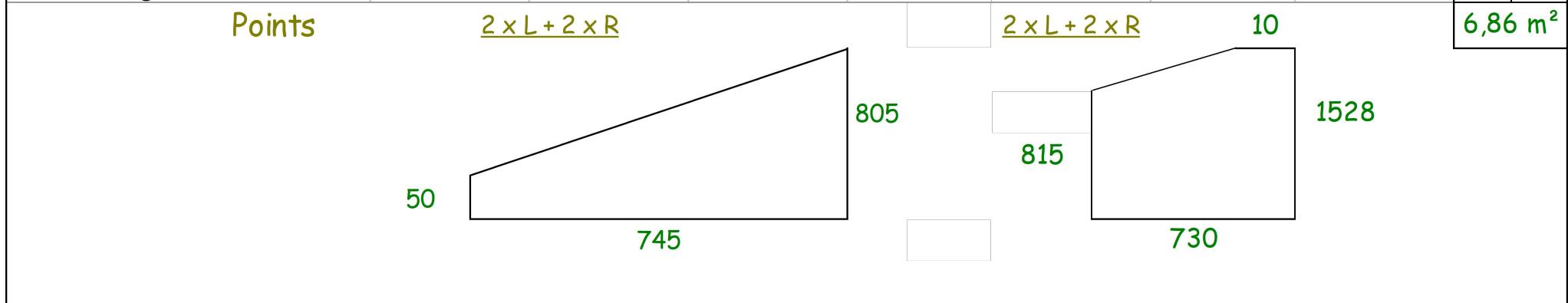






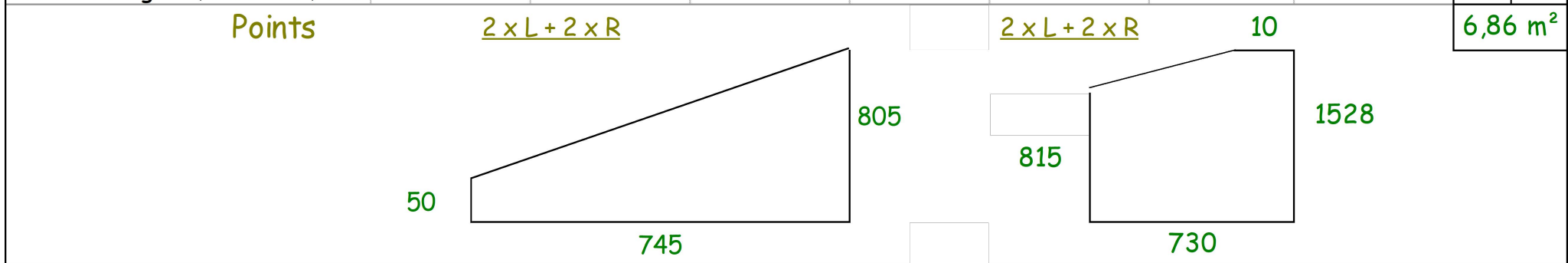
Glass Dimensions Nv Euro-serre Euro-Cottage 3,09m GlassH: 1650

Glass Size 730mm	Sides			Roof				
	Size Lenght x Wide	Size Lenght x Wide	Size Lenght x Wide	Size Lenght x Wide	Size Lenght x Wide	Size Lenght x Wide	m ²	m ²
	1650 x 730	1650 x 285	1250 x 730	2110 x 730	825 x 730	1273 x 730		
Euro-Cottage 3,09m x 2,36m	12	1	1	5	2	2	15,8	10,8
Euro-Cottage 3,09m x 3,09m	14	2	1	6	2	2	18,7	12,3
Euro-Cottage 3,09m x 3,80m	16	2	1	8	2	2	21,1	15,4
Euro-Cottage 3,09m x 4,57m	18	2	1	9	3	3	23,5	18,5
Euro-Cottage 3,09m x 5,30m	20	2	1	11	3	3	25,9	21,5
Euro-Cottage 3,09m x 6,04m	22	2	1	12	4	4	28,4	24,6
Euro-Cottage 3,09m x 6,77m	24	1	1	14	8		30,3	26,4
Euro-Cottage 3,09m x 7,53m	26	1	1	16	8		32,7	29,5
Euro-Cottage 3,09m x 8,30m	28	1	1	18	8		35,1	32,5
Euro-Cottage 3,09m x 9,02m	30	1	1	19	10		37,5	35,3

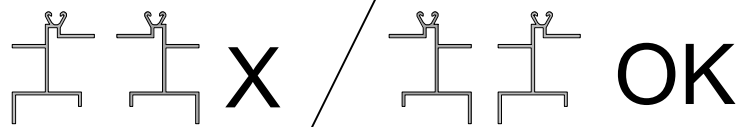
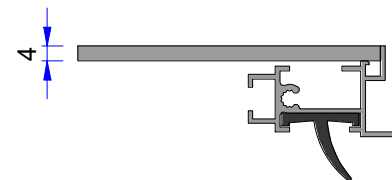
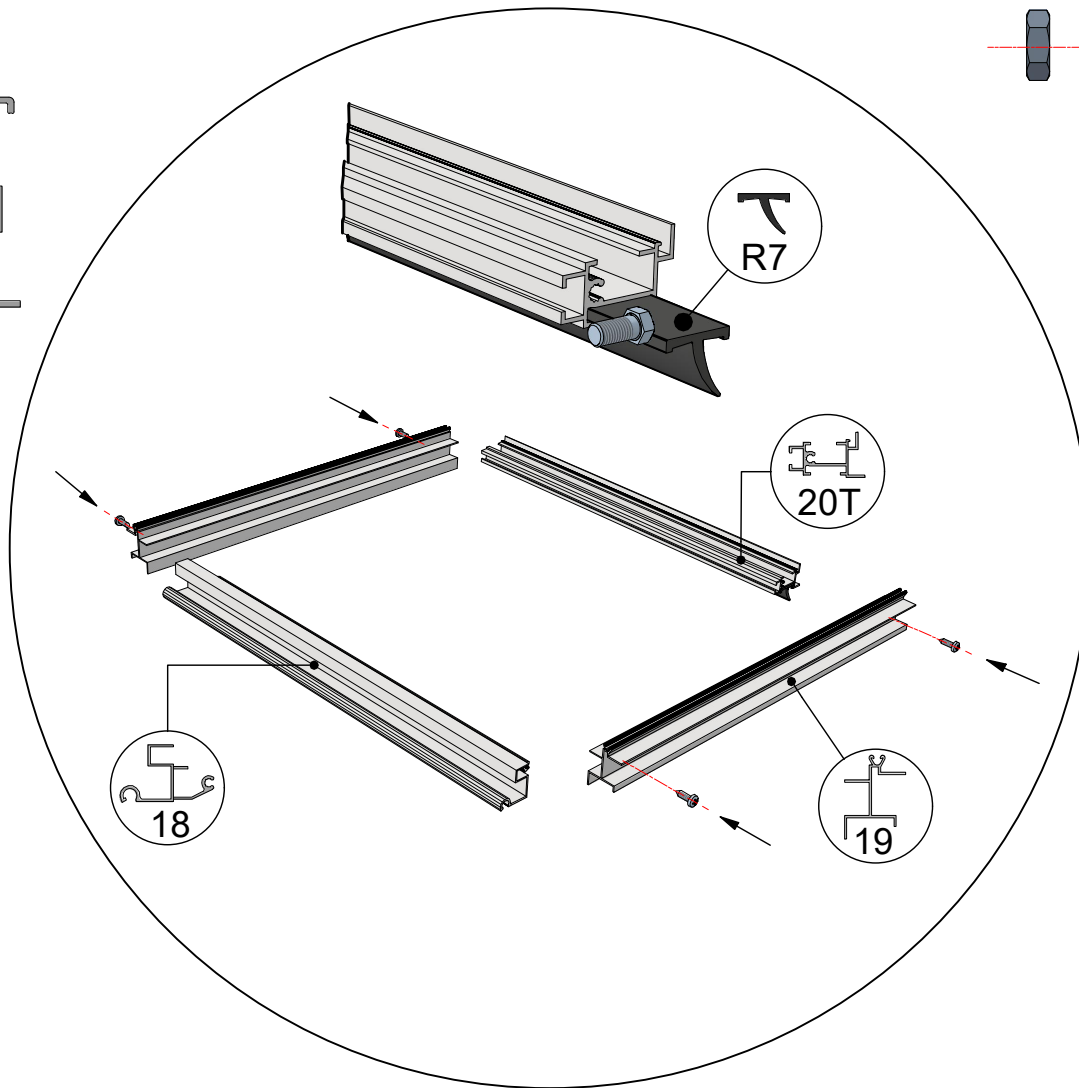
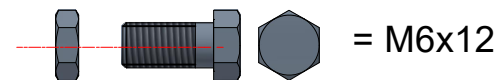
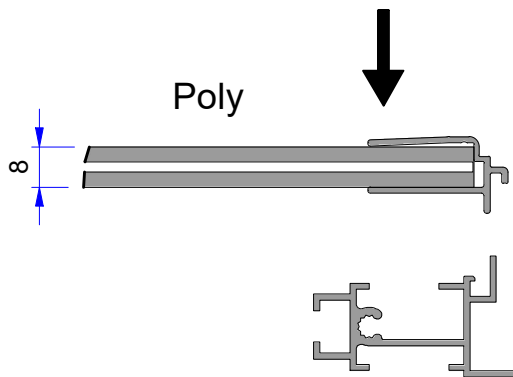


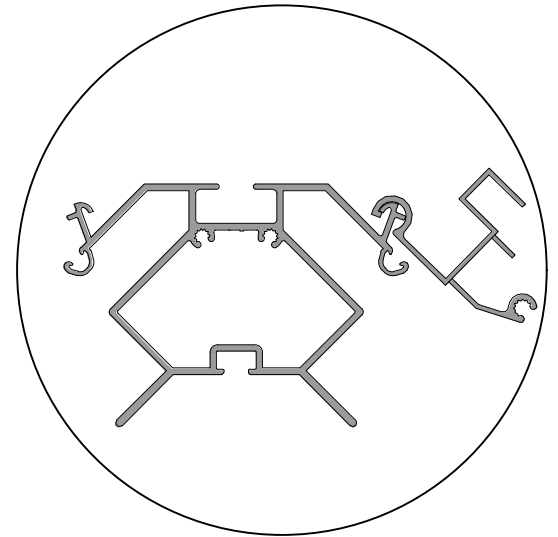
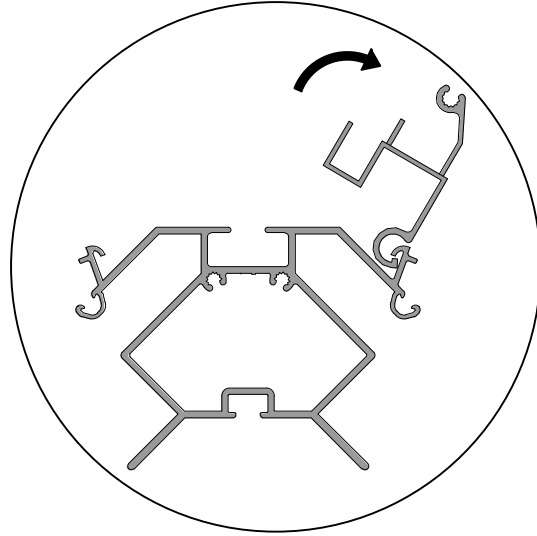
Glass Dimensions Nv Euro-serre Euro-Cottage 3,09m GlassH: 1850

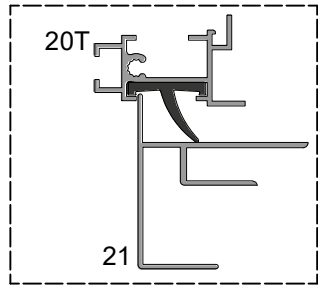
Glass Size 730mm	Sides		Size Lenght x Wide		Roof	Size Lenght x Wide				
	1850 x 730	1850 x 285	1450 x 730		2110 x 730	825 x 730	1273 x 730	m ²	m ²	
Euro-Cottage 3,09m x 2,36m	12	1	1		5	2		17,8	8,9	
Euro-Cottage 3,09m x 3,09m	14	2	1		6	2	2	21,0	12,3	
Euro-Cottage 3,09m x 3,80m	16	2	1		8	2	2	23,7	15,4	
Euro-Cottage 3,09m x 4,57m	18	2	1		9	3	3	26,4	18,5	
Euro-Cottage 3,09m x 5,30m	20	2	1		11	3	3	29,1	21,5	
Euro-Cottage 3,09m x 6,04m	22	2	1		12	4	4	31,8	24,6	
Euro-Cottage 3,09m x 6,77m	24	1	1		14	8		34,0	26,4	
Euro-Cottage 3,09m x 7,53m	26	1	1		16	8		36,7	29,5	
Euro-Cottage 3,09m x 8,30m	28	1	1		18	8		39,4	32,5	
Euro-Cottage 3,09m x 9,02m	30	1	1		19	10		42,1	35,3	

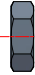
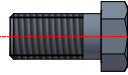



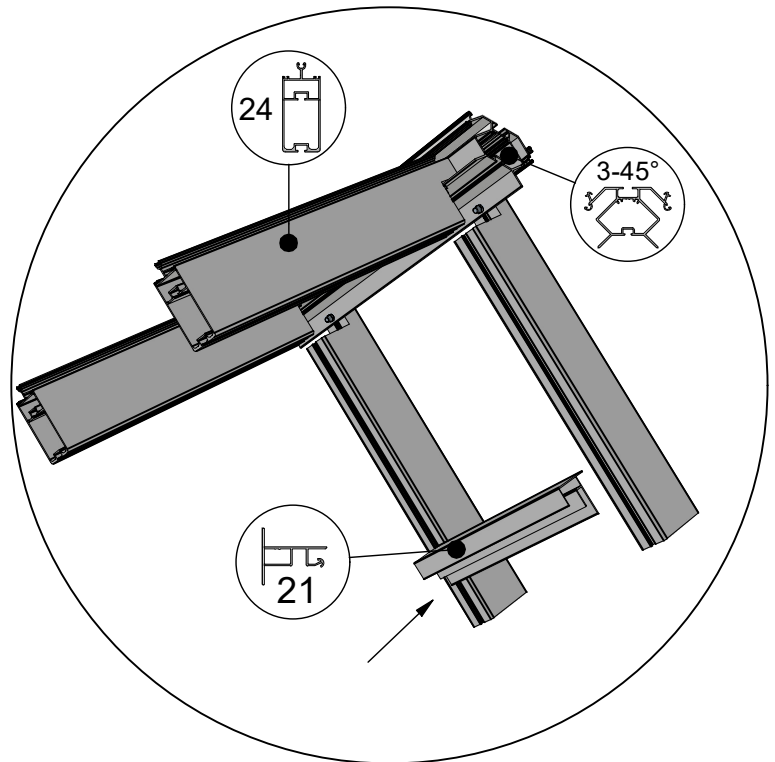
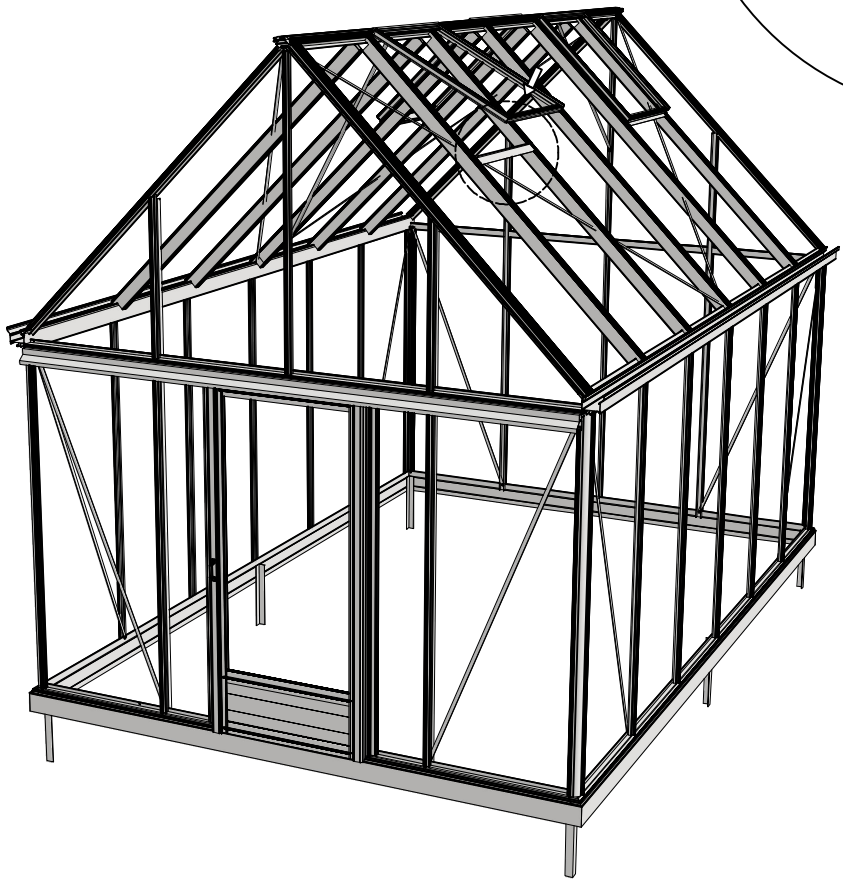
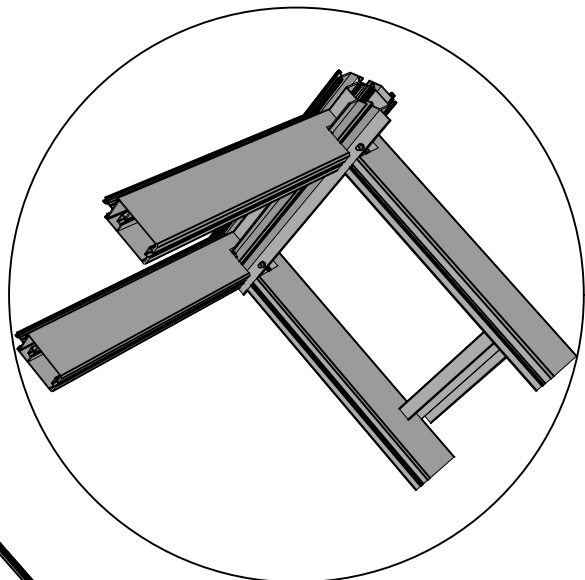
Opgemaakt op 15-03-2023

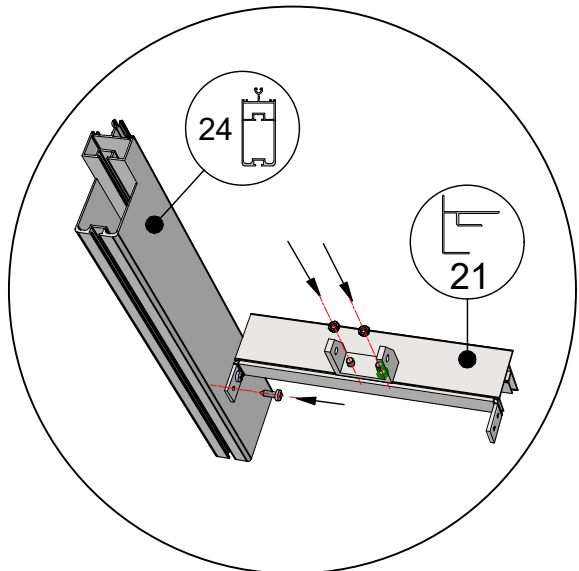
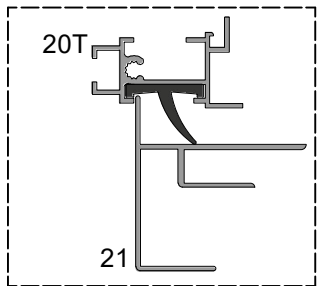





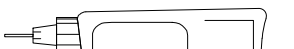


   = M6x12

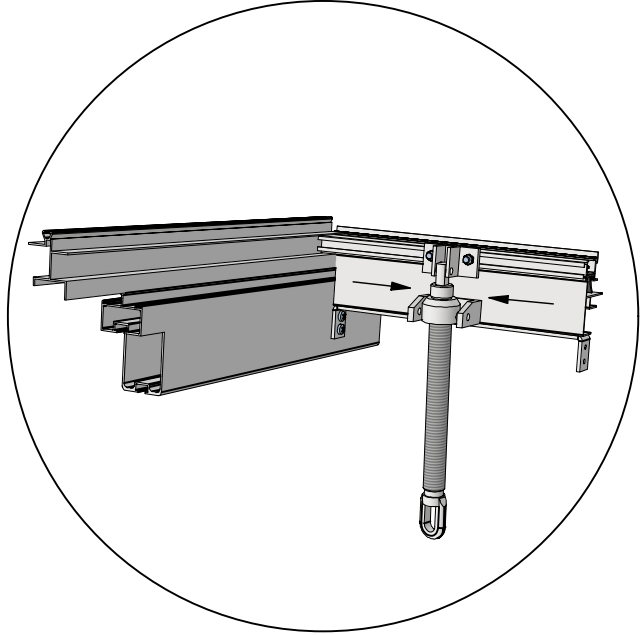


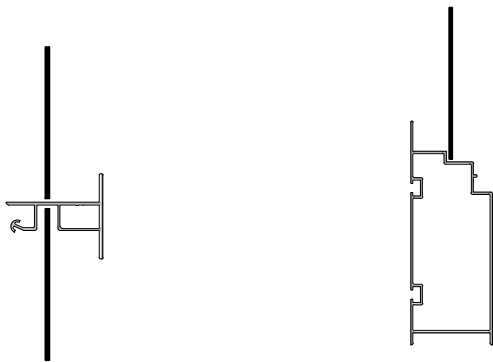
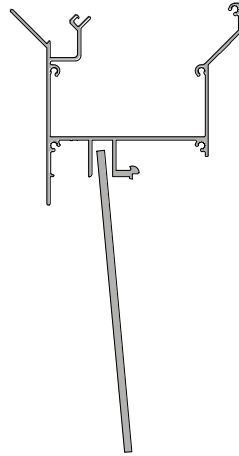


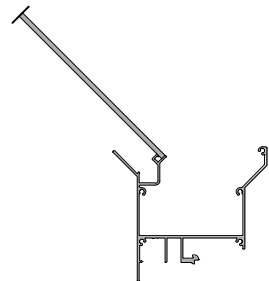
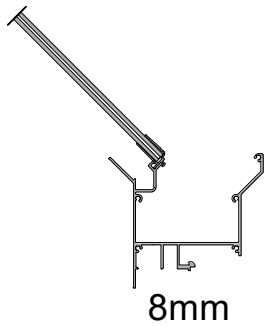
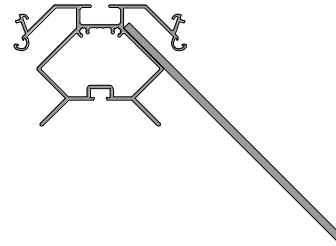
 = M6x12

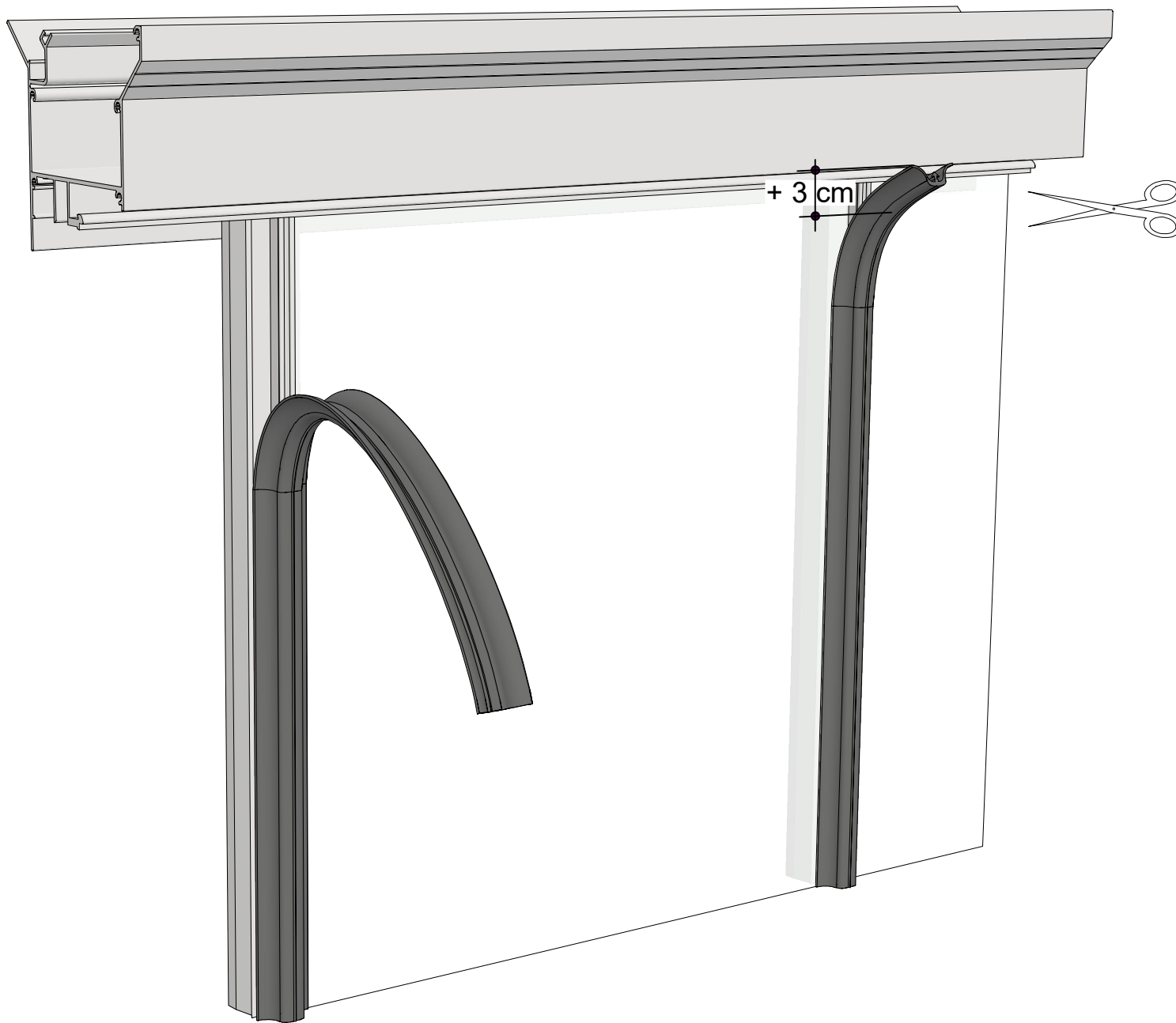
$\varnothing = 6,5\text{mm}$ 

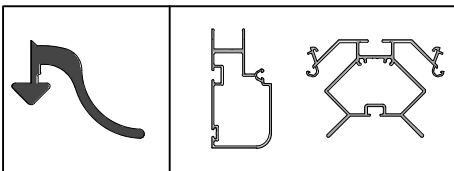
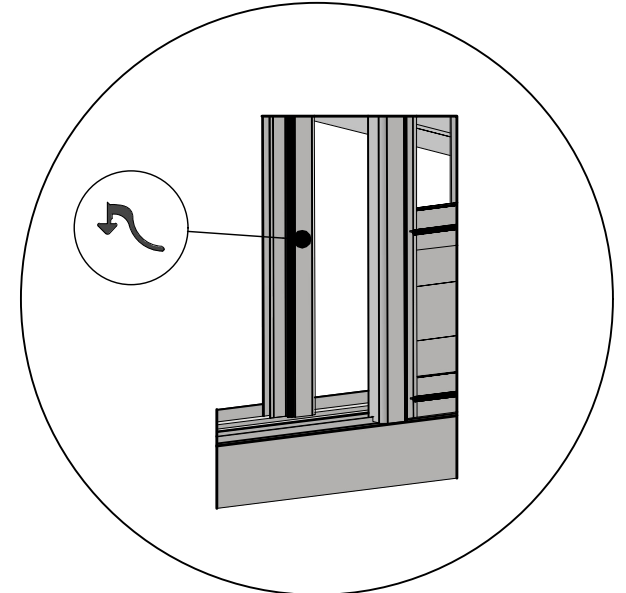
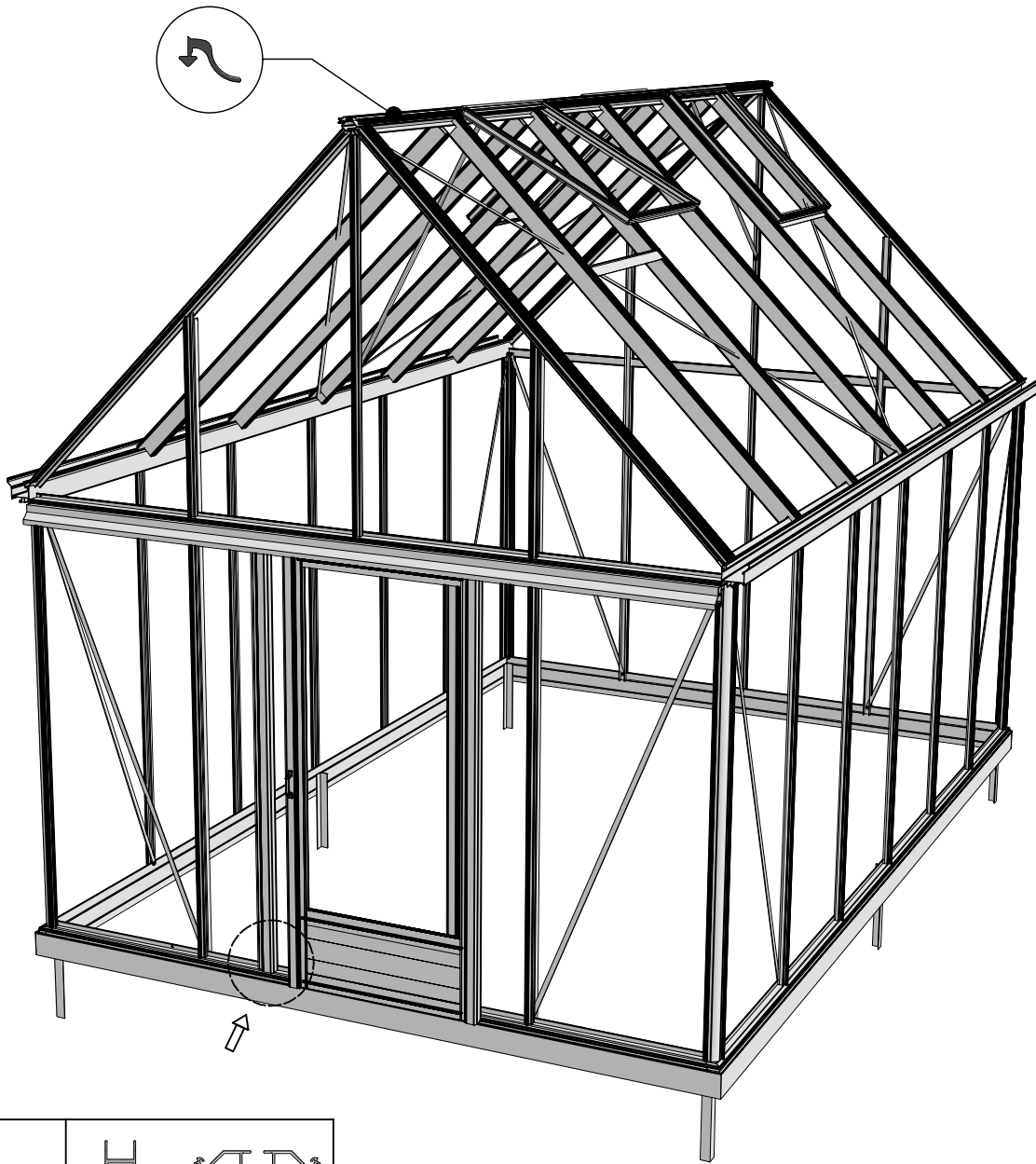
$\varnothing = 4\text{mm}$

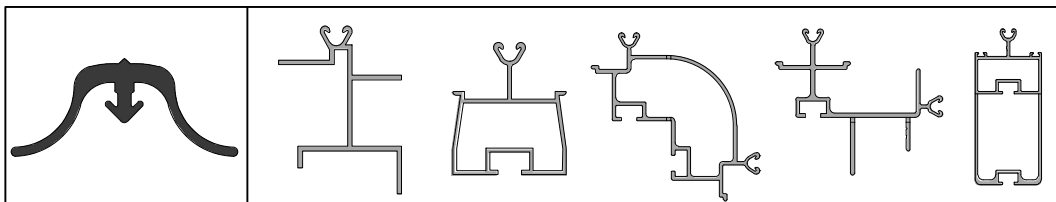
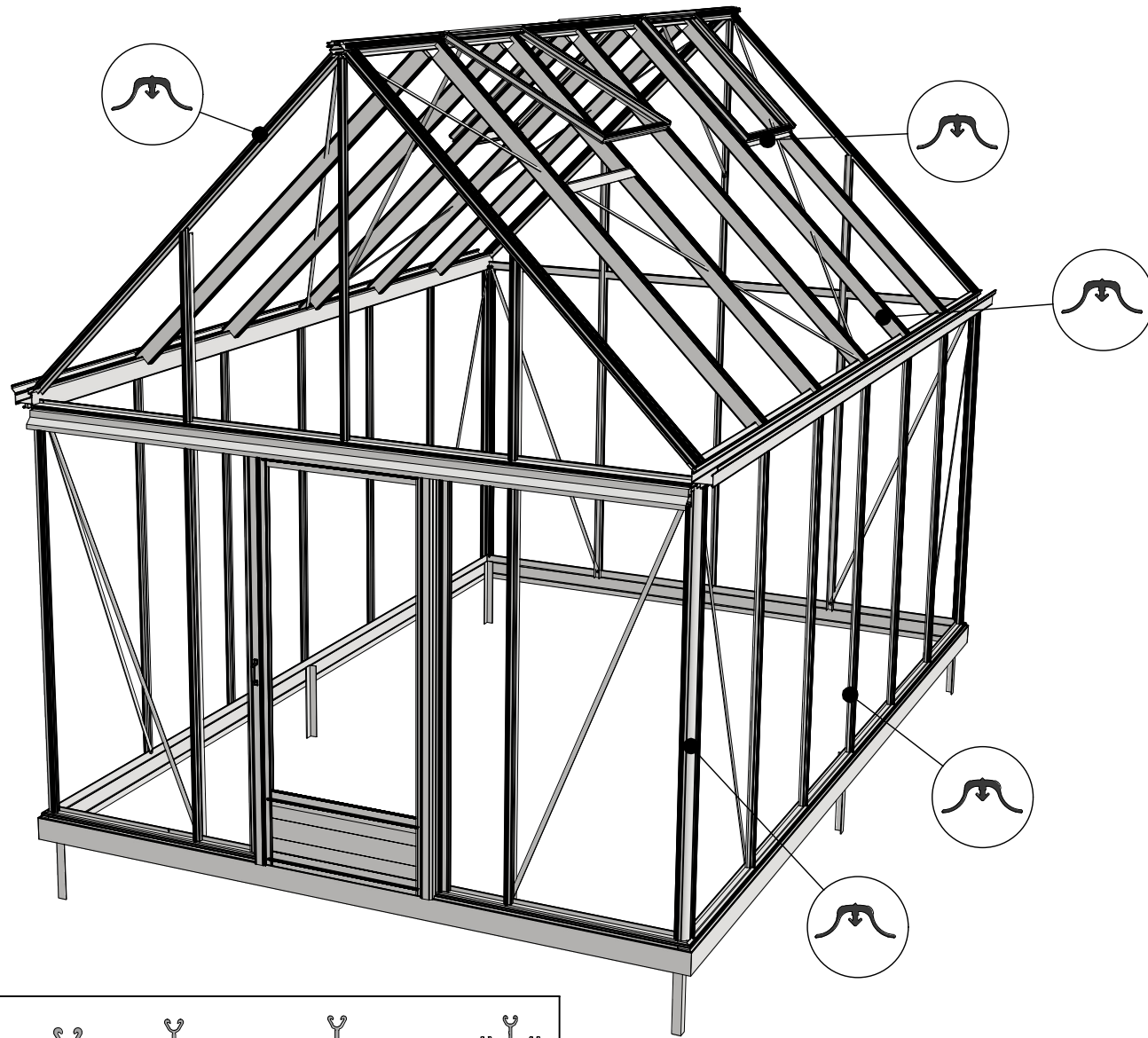




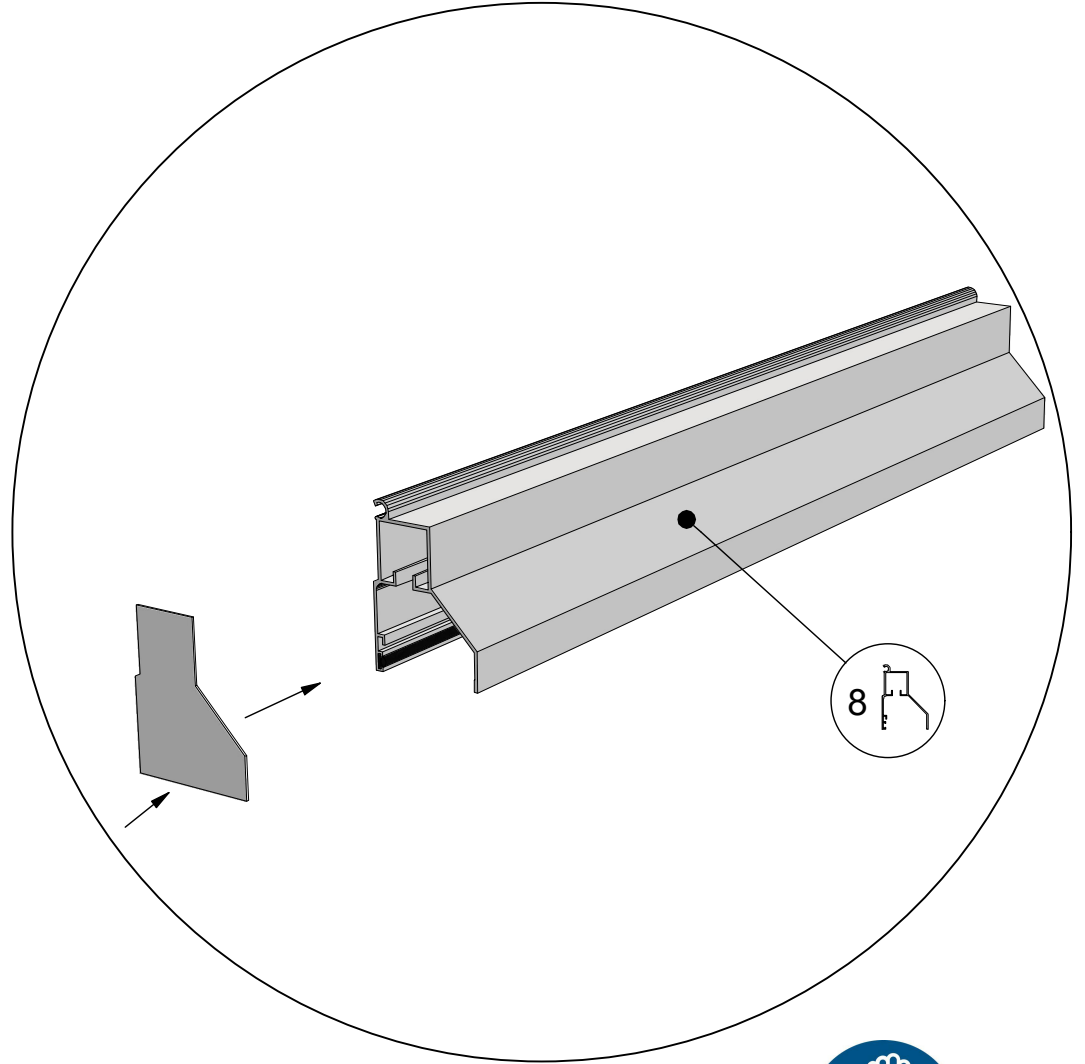
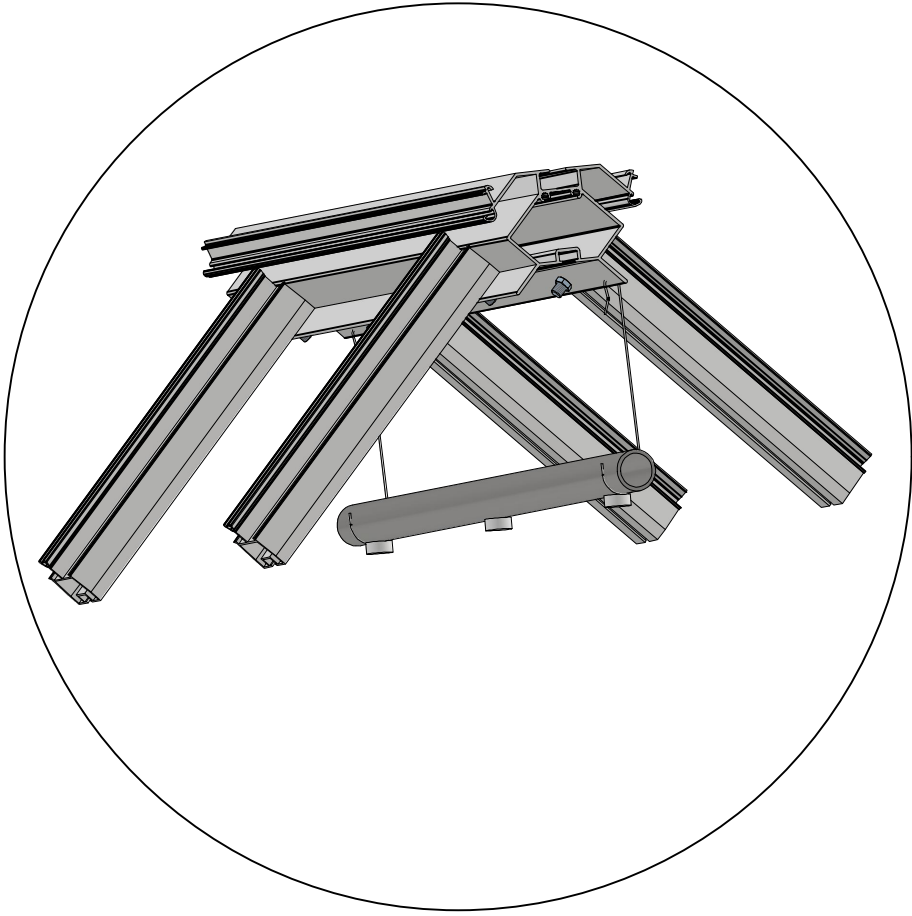
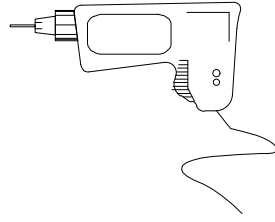




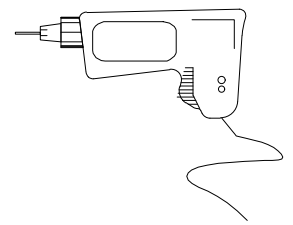


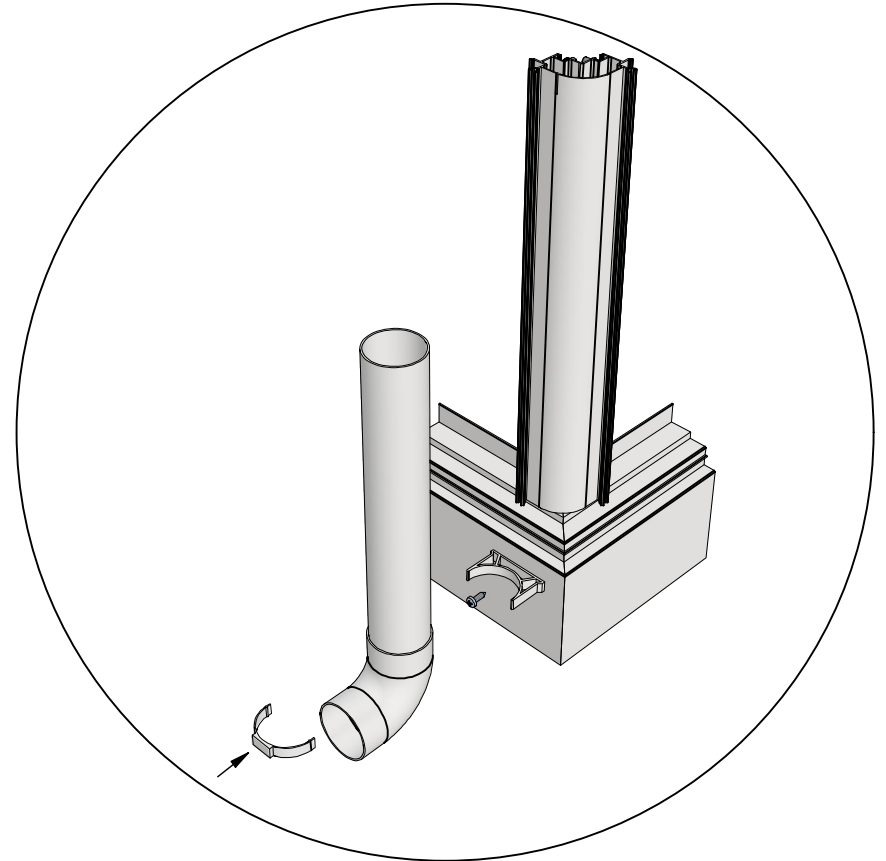
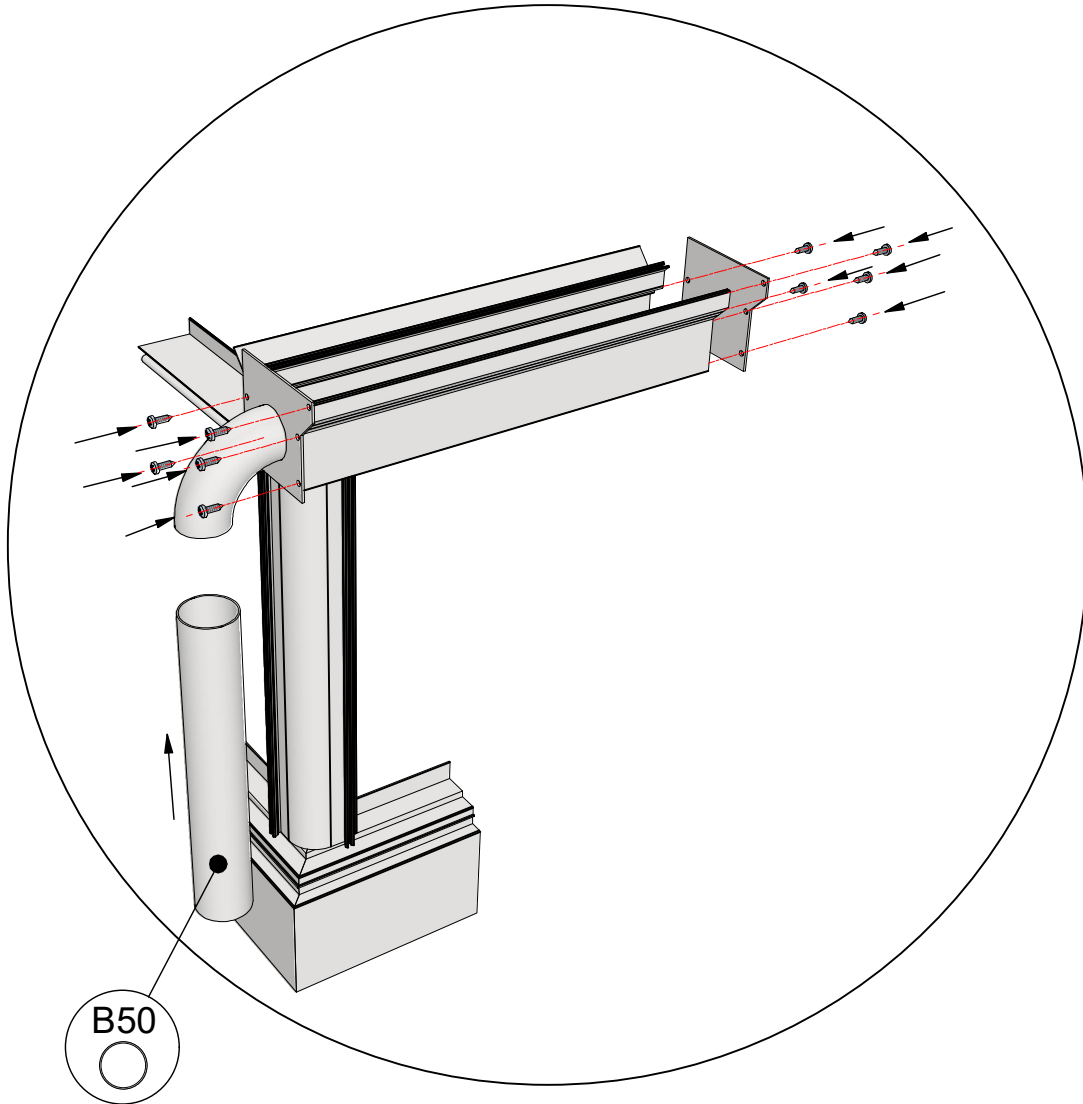


∅ = 4mm

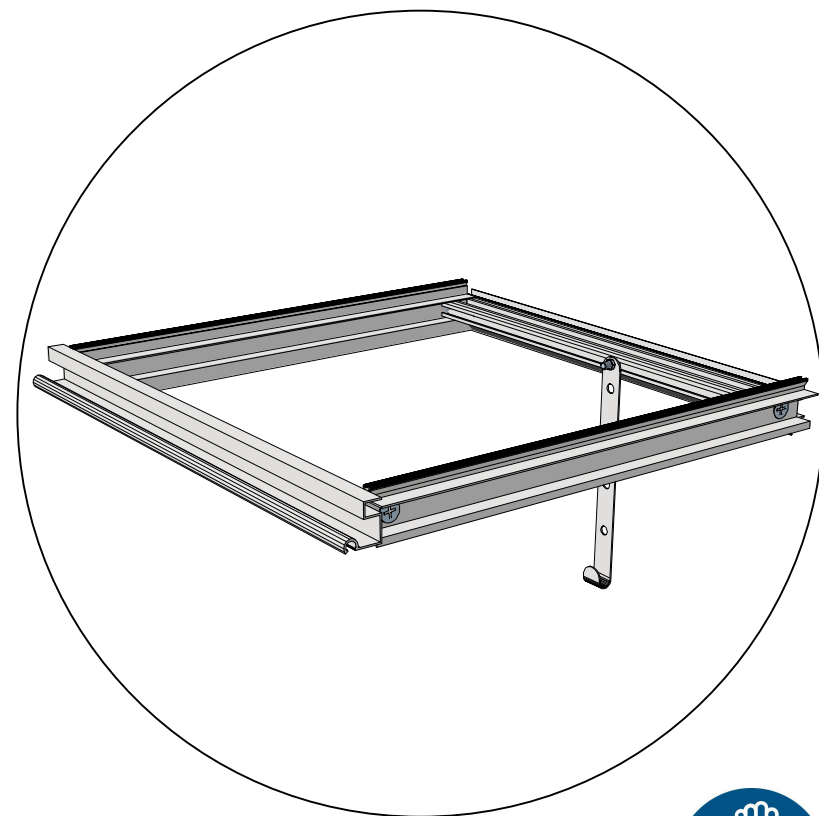
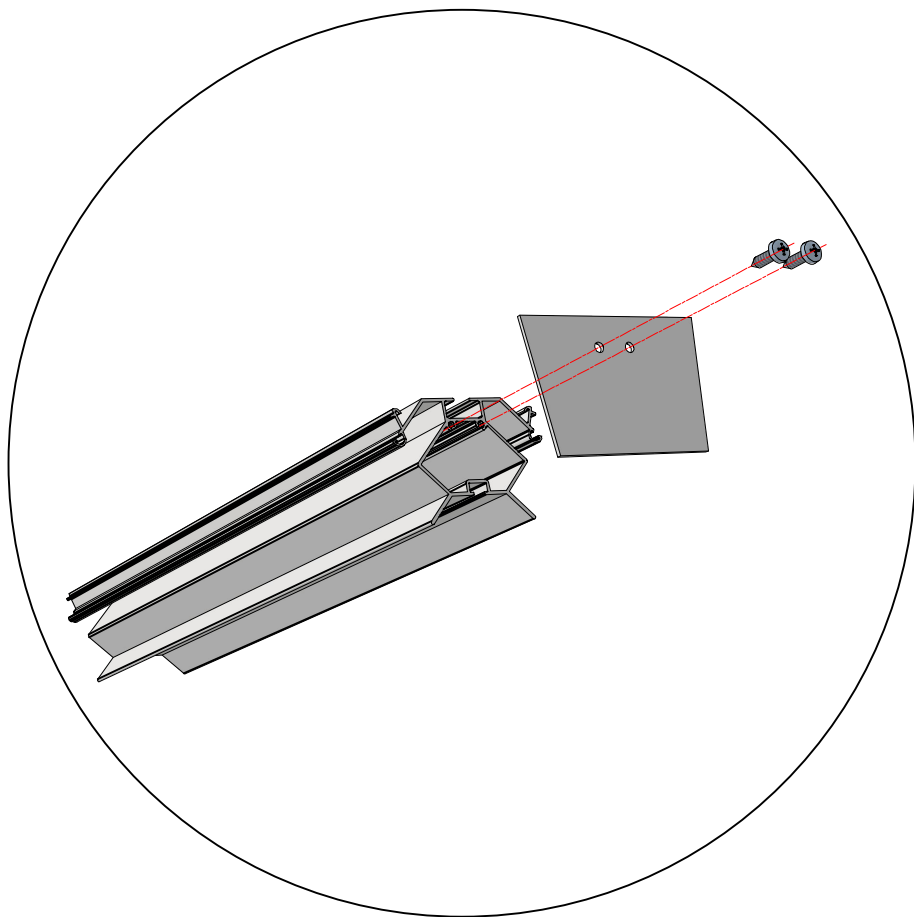


 = 4,8x16

Ø 4mm 



  = 4,8x16





Geleenlaan 1 - 3600 Genk

ref: Cottage-001 Rev. 05.10.2023

OCBS - 1148-CPR-20231003-989 C E

EN 1090-1 EXC 1

Euro-Cottage

www.euroserre.com/cecertificaten