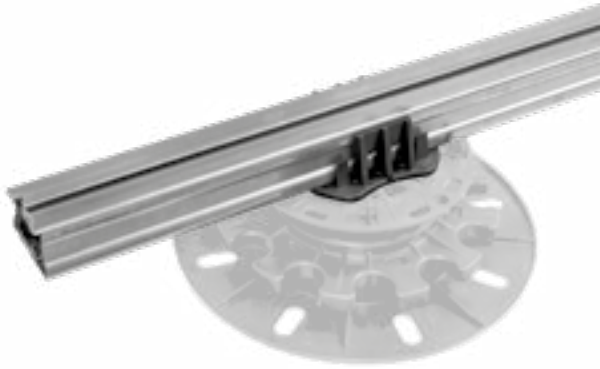


MAGNELIS® COATED STEEL JOIST AND ADAPTER FOR ARKIMEDE



INDEX

1. Registry code
2. Description
3. Usage
4. Technical drawings
5. Magnelis® characteristics
6. Specifications items

1. REGISTRY CODE

Code	Description	Measures (mm)	Weight	Pkg. / Pallet
TER09-1149ZM2	Magnelis® Steel Mallet with V-Lath	40 x 30 x 2.000	2 kg/pc.	1 pc. / 200 pcs.
TER09-1151 *	Support for Magatel	-	0,02 kg/pc.	30 pc. / 6.000 pcs.
TER09-1149/G	Anti-noise gasket	8 mm x 10 m	0,020 kg/pc.	5 pc. / 180 pcs.
TER09-1151GR	Connector for Magnelis®	-	0,015 kg/pc.	60 pc. / 7.560 pcs.
TER09-1149/A	Cross paving for Magnelis®	-	0,010 kg/pc.	150 pc. / 144 cf.
TER09-1149/B	Spacer for perimeter support for Magnelis®	-	0,008 kg/pc.	90 pc. / 144 cf.
TER09-1149/C	T-connector for Magnelis®	-	0,015 kg/pc.	120 pc. / 144 cf.
MIN01-5200P	Fixala Plus - Black Phosphated Self-Leading Screw Nailhead with adapter	ø 3,5 x 25	1,36 kg/cf.	1.000 pc. / 384.000 cf.

* Accessory not compatible with Arkimedes 10

MATERIAL The adapter is made of PP (polypropylene) and the joist is made of Galvanized Steel with a aluminum, zinc and magnesium coating.

2. DESCRIPTION

Kit consisting of Magnelis® joist with plastic attachment insert and bayonet attachment to Arkimedes stand.

The use of the bayonet attachment is only compatible with Arkimede 18, 35, 41, 60 and 115 supports.

When using the Magnelis® bajonet for a paving application, we recommend the anti-noise gasket, applying it in two parallel strips on the bajonet to reduce footfall noise.

Accessory connectors allow linear and "T" joints between multiple Magnelis® joists.

The paving cross for 4 mm joints of the tiles, allows for equidistant installation of outdoor paving tiles and, thanks to the recesses, can also be used in conjunction with the anti-noise seal.

The perimeter spacer accessory allows the absorption of any movement and expansion between the structure and the retaining side wall.

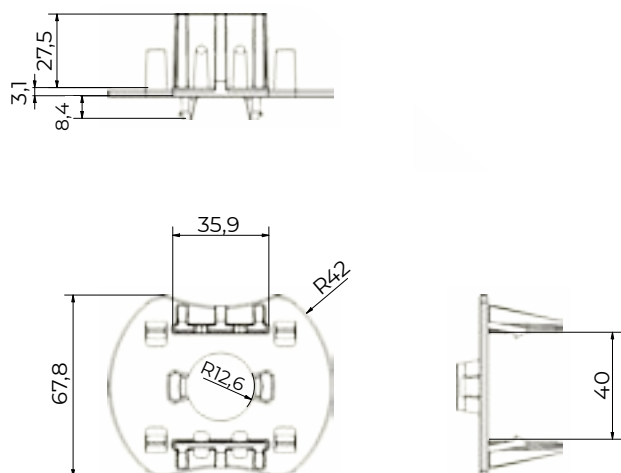
3. USE

Used for creating substructure in outdoor decking installation with Arkimede supports. Insertion of the "V" shaped lath into the appropriate magatel template and its subsequent fastening, using self-drilling screws, ensures perfect clamping and sealing. It is suggested to place the Arkimede supports every 50 cm.

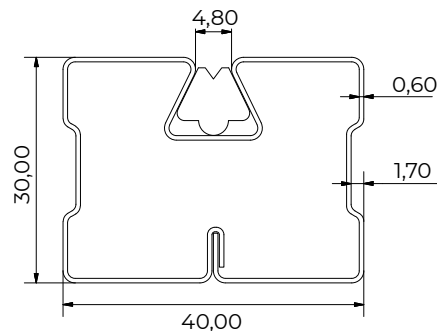
MAGNELIS® COATED STEEL JOIST AND ADAPTER FOR ARKIMEDE

4. DISEGNI TECNICI

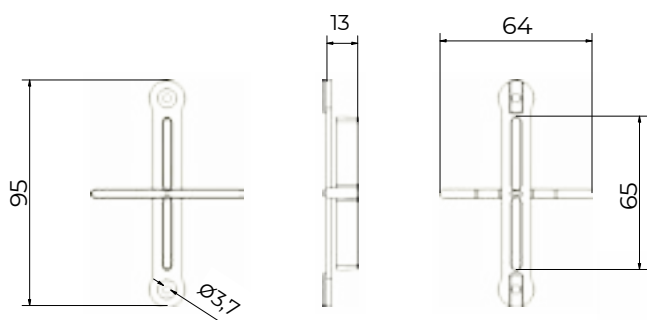
TER09-1151



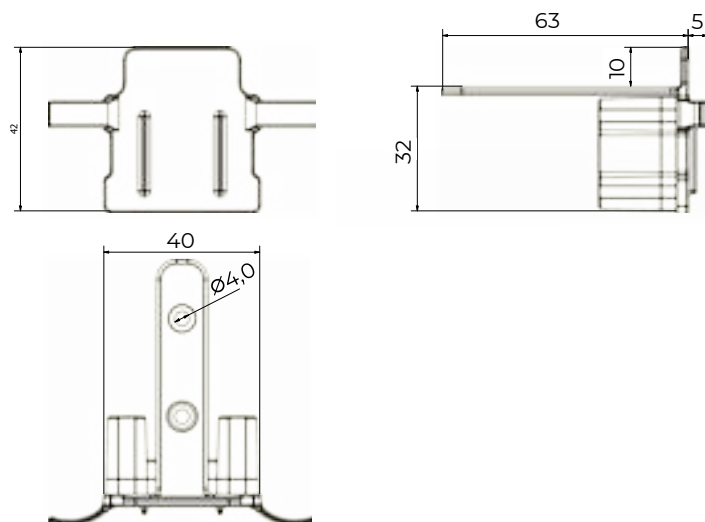
TER09-1149ZM2



TER09-1149/A

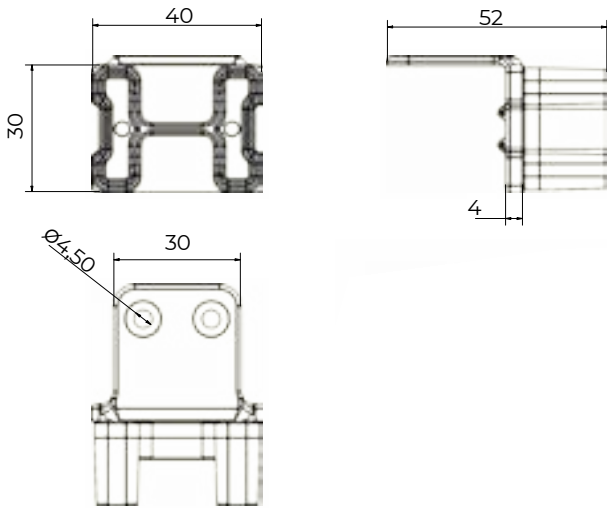


TER09-1149/B

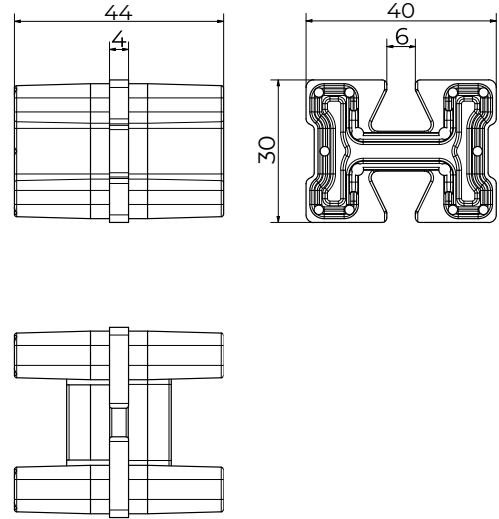


MAGNELIS® COATED STEEL JOIST AND ADAPTER FOR ARKIMEDE

TER09-1149/C



TER09-1149/GR



5. MAGNELIS® FEATURES

Magnelis® is a flat carbon steel coated on both sides with a zinc-aluminum-magnesium alloy.

The unique chemical composition of Magnelis® offers an unprecedented level of surface protection by adding additional cut edge protection even in the harshest environments.

Magnelis® has its own specific composition (3% Mg and 3.5% Al), which can offer a much more effective defense against corrosion than coatings with a lower magnesium content, reaching up to three times higher than normal galvanized steels and in all types of environments, including very aggressive ones.

- Excellent corrosion resistance-at least 3 times better than galvanized steel for outdoor applications
- Complete edge protection due to Magnelis®'s self-protection properties on cut edges
- Outstanding resistance in very harsh environments (marine, chlorine and ammonia environments)
- More cost-effective solution than galvanized steel batches due to simple fabrication
- Reduces maintenance costs compared with post-painting

The excellent corrosion resistance properties of Magnelis® have been evaluated with a Preliminary Technical Material Assessment (ETPM) by the CSTB (Centre Scientifique et Technique du Bâtiment) and certified by a number of external laboratories, including SP (Science Partner) and DIBT (Deutsches Institut für Bautechnik).

Key features:

- Compliant with European directives: RoHS, REACH, WEEE
- EN 10346 certified.
- Certified for use in C5 environment
- Significantly lower environmental impact than competitors
- Perfect protection of the entire structure, even on uncoated edges, scratches and punctures

* This alloy is composed of 93.5% zinc, 3.5% aluminum and 3% magnesium,

** C5: the most severe environmental conditions

MAGNELIS® COATED STEEL JOIST AND ADAPTER FOR ARKIMEDE

6. TECHNICAL SPECIFICATION

Item	Description	Unit	Price
Dak.O.TER09-T1xx	Supply and installation of Kit consisting of Magnelis® Steel joist with lath and joist attachment and fixing support for Arkimede. Lath and support for joist made of PP (polypropylene), joist made of Steel. Used for creating substructure in outdoor decking installation with Arkimede supports. Insertion of the "V"-shaped batten into the appropriate template of the joist and its subsequent fastening, using self-drilling screws, ensures perfect clamping and tightness. Recommended spacing 50 cm.		
Dak.O.TER09-T149ZM2	Coated Steel Joist - Magnelis®	pc.	-
Dak.O.TER09-T151	Plastic adapter for Arkimede Steel Joist	pc.	-
Dak.O.TER09-T149/G	Adhesive anti-noise gasket for Magnelis®	pc.	-
Dak.O.TER09-T151GR	Linear connector for Magnelis®	pc.	-
Dak.O.TER09-T149/A	Cross Spacer 4mm for Paving for Magnelis®.....	pc.	-
Dak.O.TER09-T149/B	Lateral Laying clip for Magnelis®	pc.	-
Dak.O.TER09-T149/C	"T" shape connector for Magnelis® (duplicato).....	pc.	-
Dak.O.MIN01-5200P	Fixala Plus - Black phosphate bugle head self screwing screws - nail tip screw and adapter	pc.	-